

FIGURE (6.6)

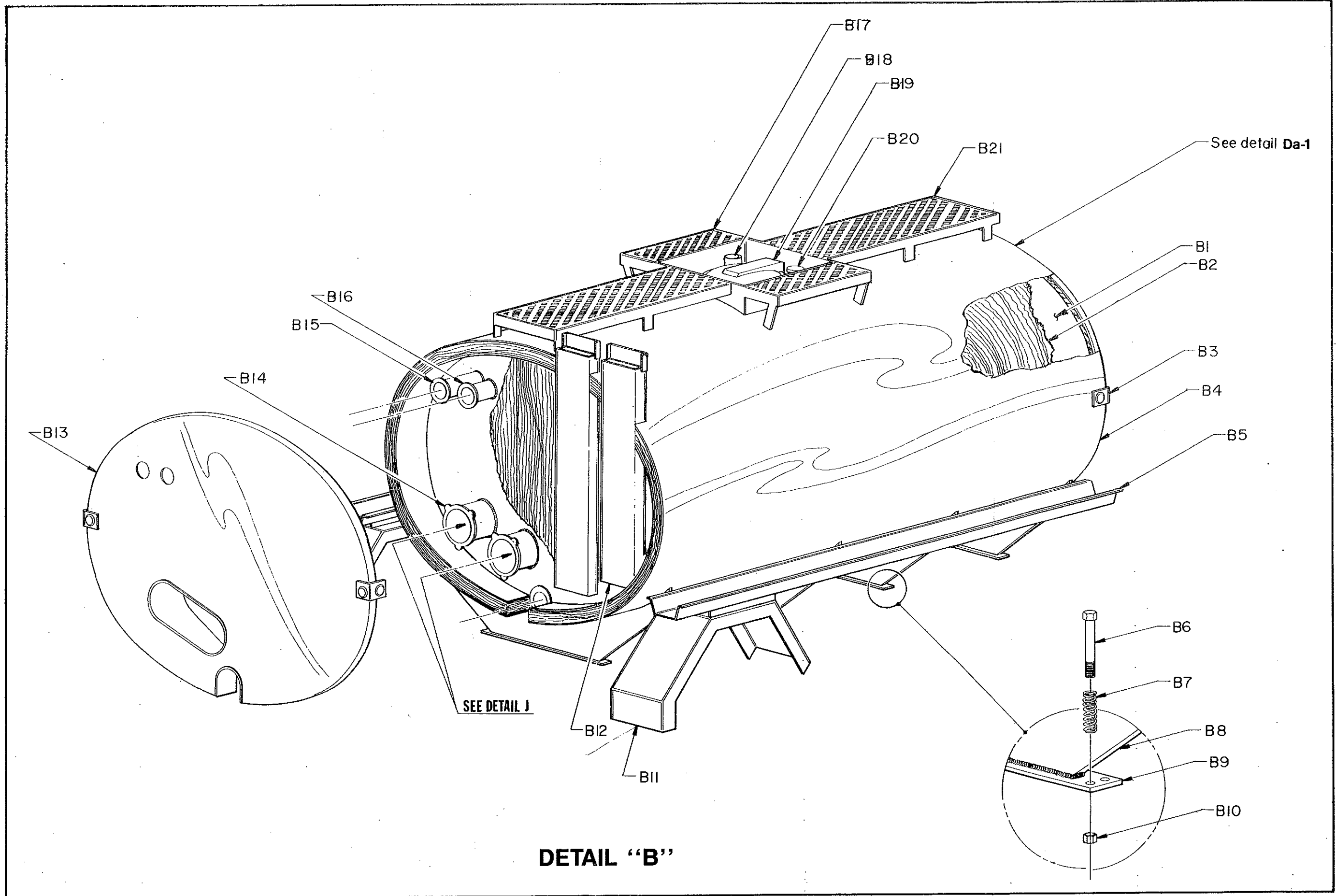
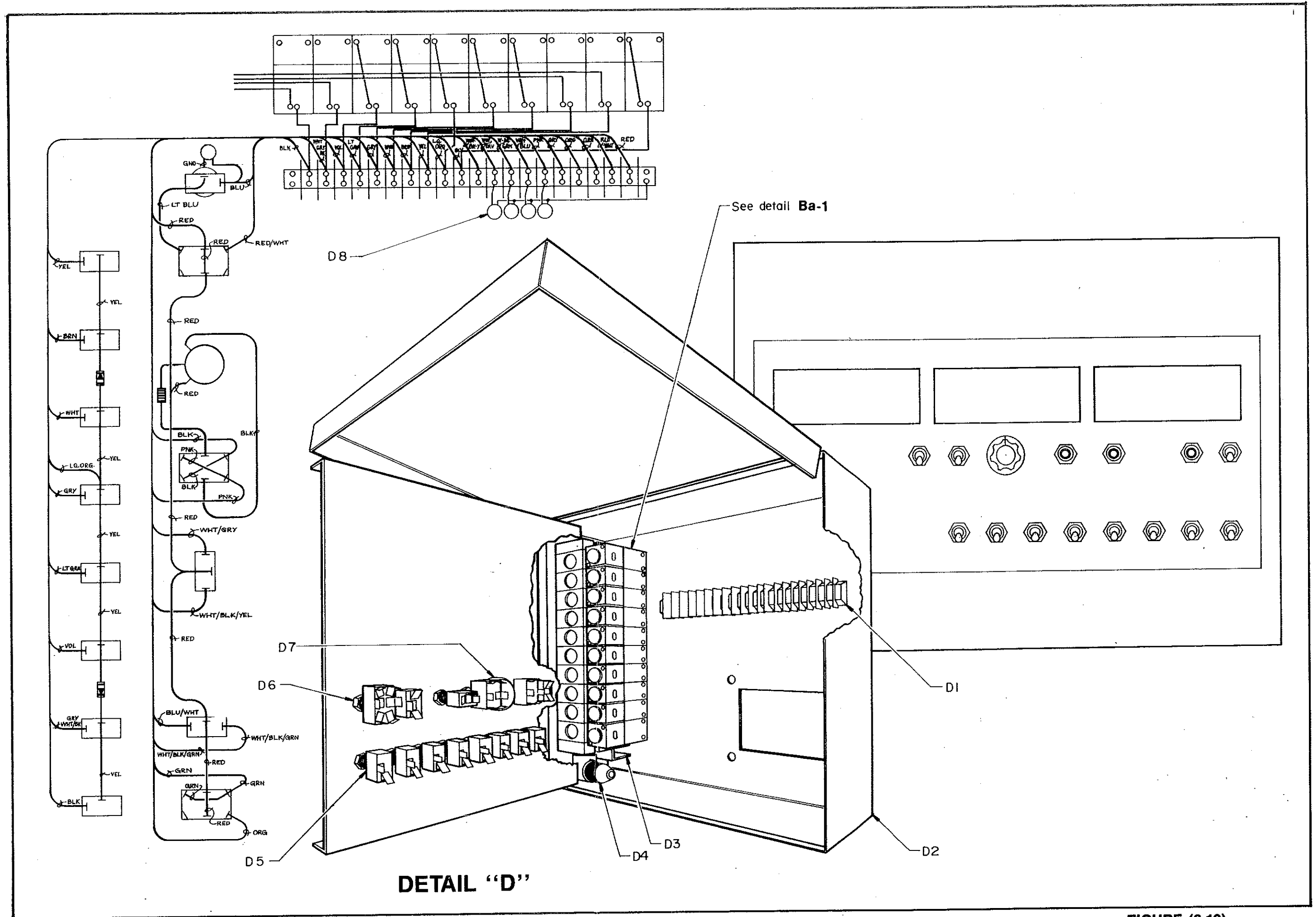
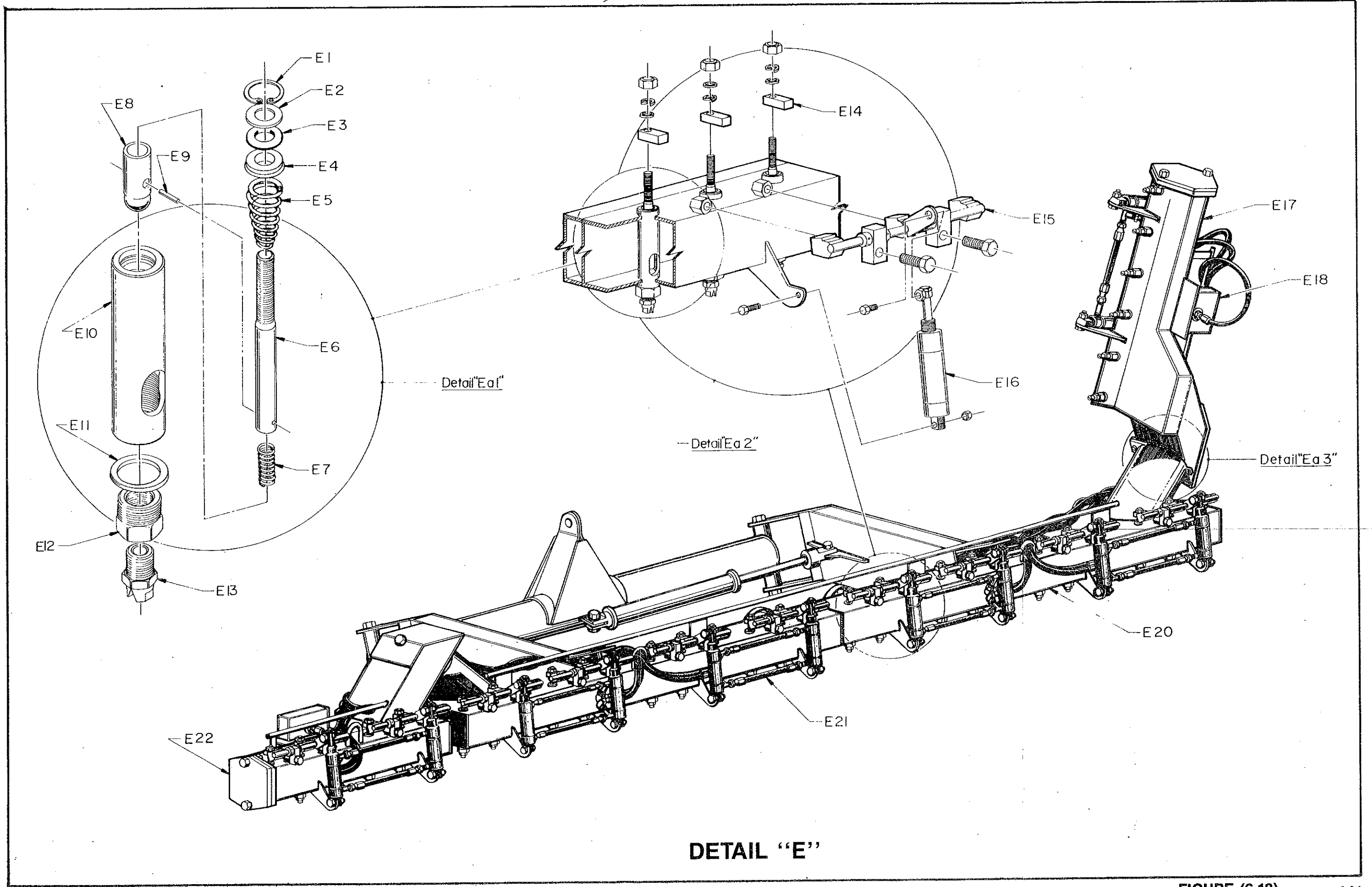


FIGURE (6.7)



DETAIL "D"



DETAIL "E"

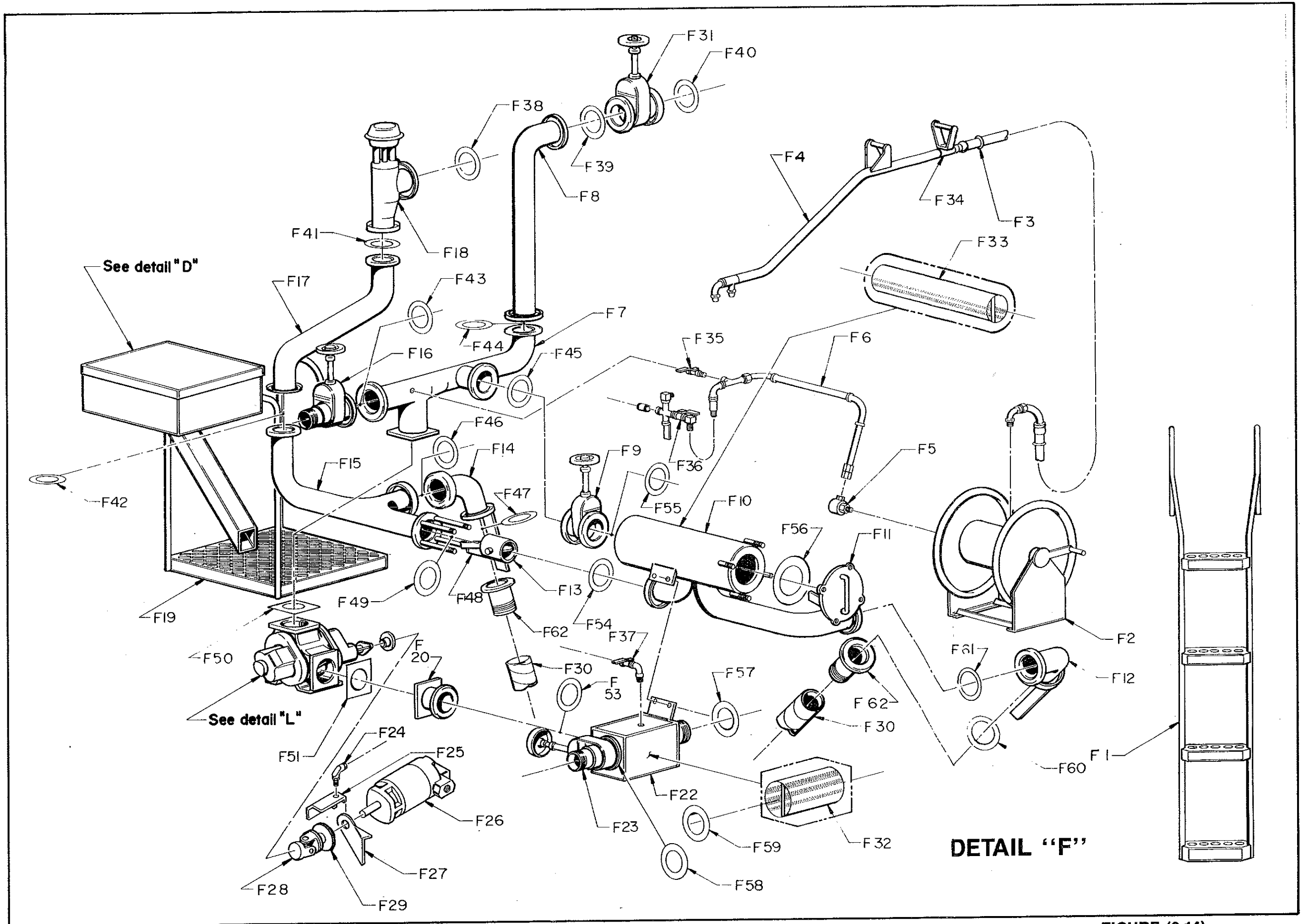
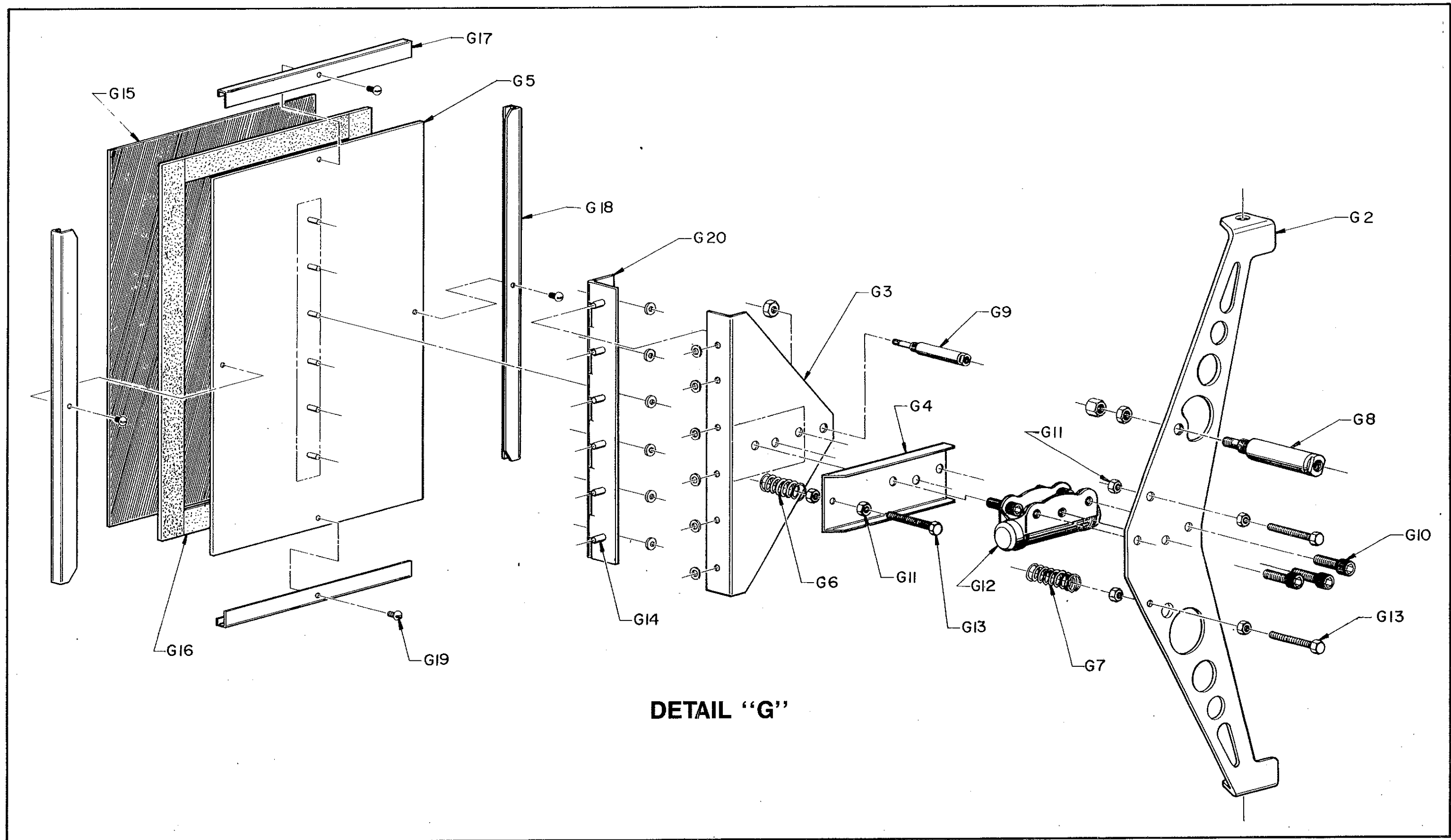
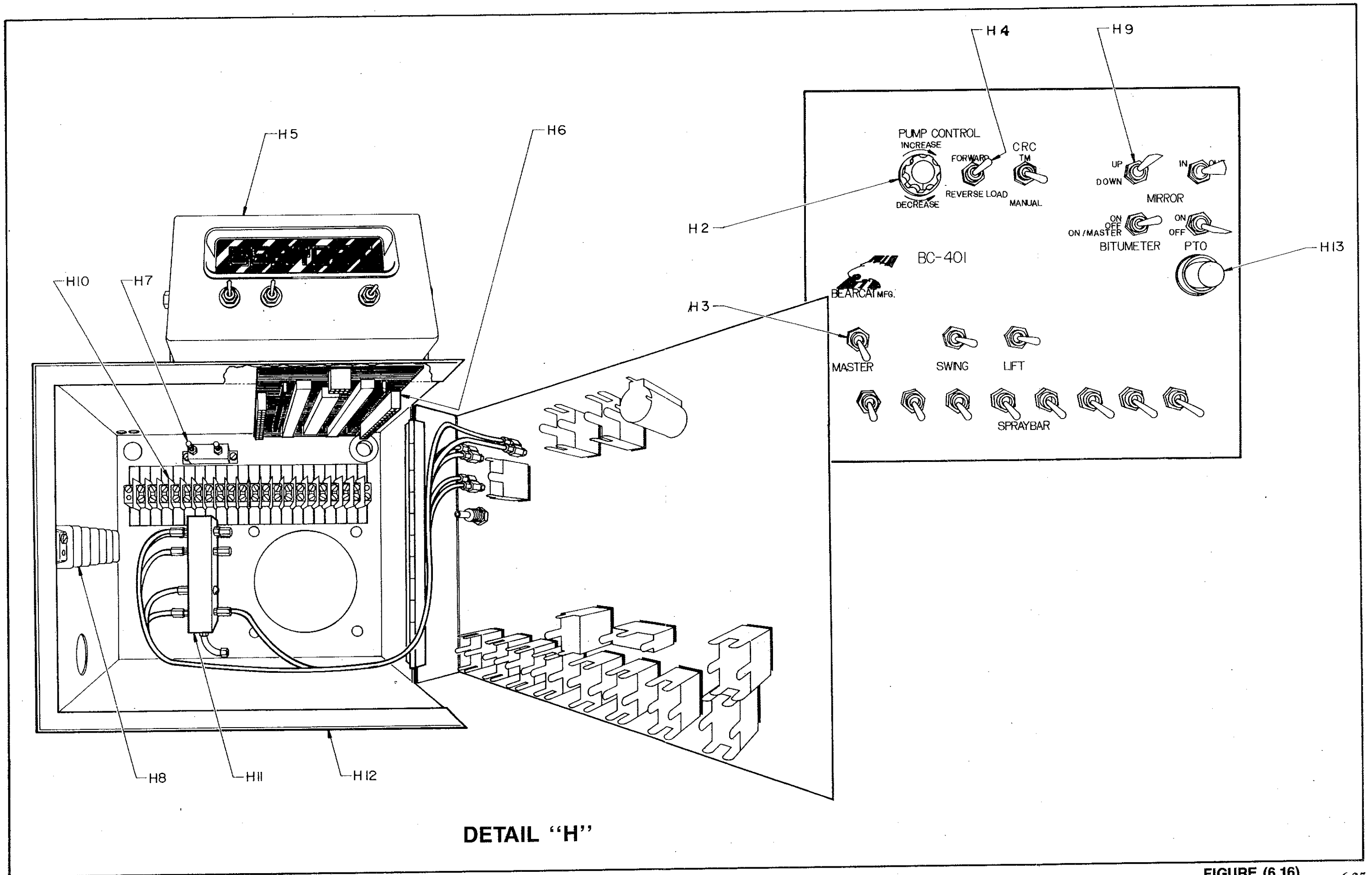


FIGURE (6.14)



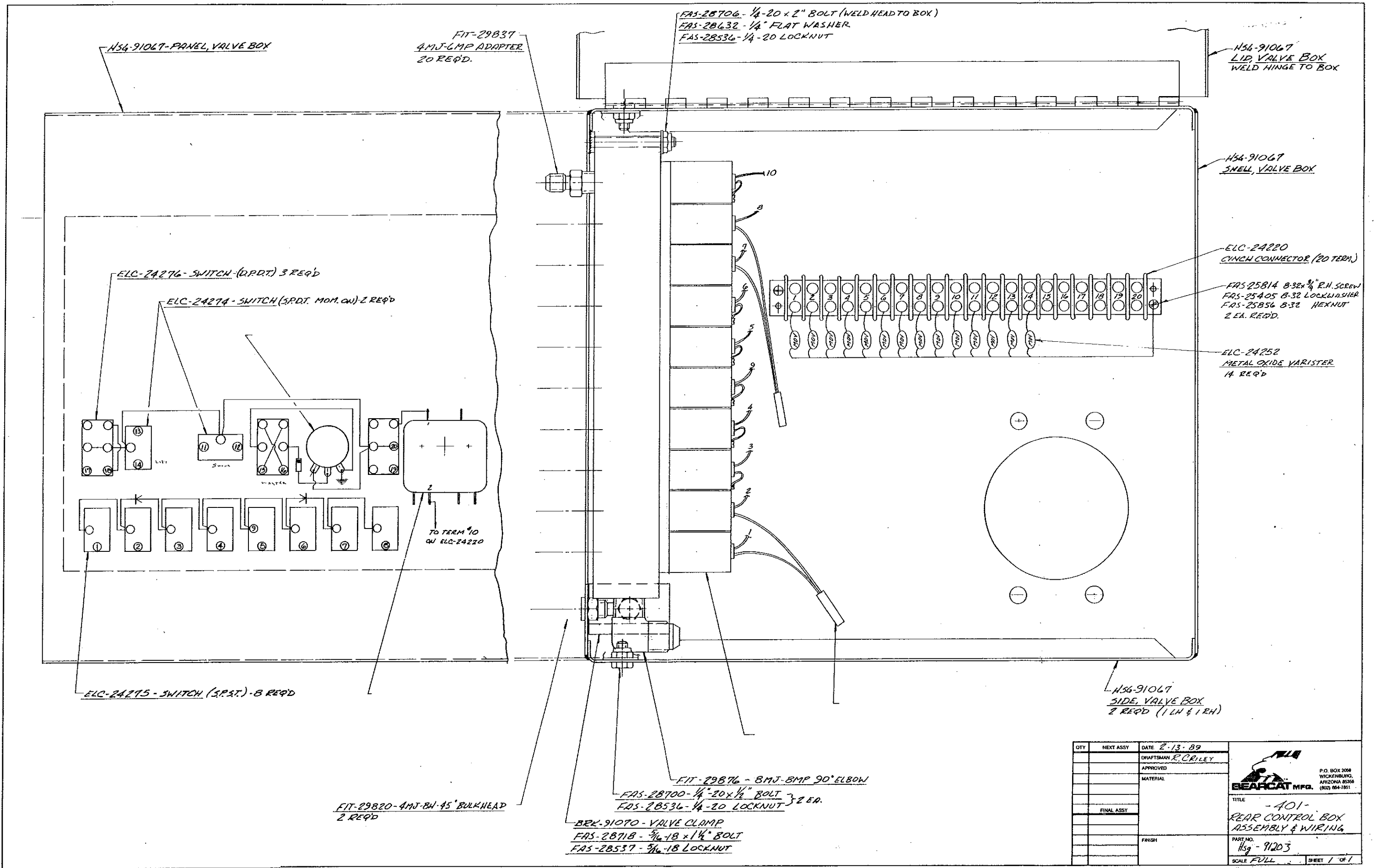
DETAIL "G"

FIGURE (6.15)



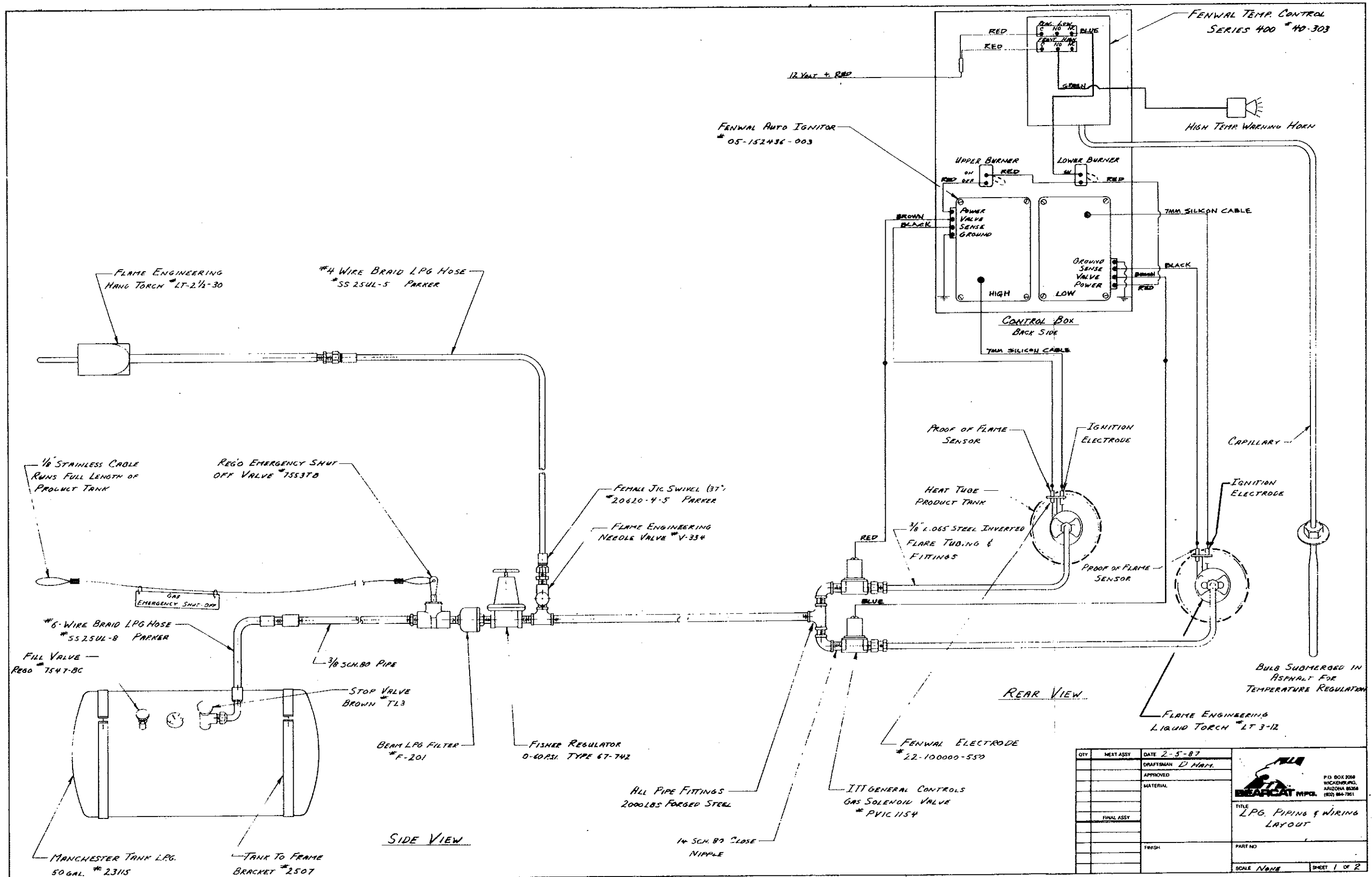
DETAIL "H"

FIGURE (6.16)



QTY	NEXT ASSY	DATE 2-13-89	 P.O. BOX 2098 WICKENBURG, ARIZONA 85368 (602) 854-7851
		DRAFTSMAN R. CRILEY	
		APPROVED	TITLE -401- REAR CONTROL BOX ASSEMBLY & WIRING
		MATERIAL	
		FINAL ASSY	
		FINISH	PART NO. H56-91203 SCALE FULL SHEET 1 OF 1

REAR CONTROL BOX FIGURE (6.20)



QTY	NEXT ASSY	DATE 2-5-87	
		DRAFTSMAN D. HART	
		APPROVED	TITLE LPG PIPING & WIRING LAYOUT
		MATERIAL	
		FINAL ASSY	
		FINISH	
			PART NO
			SCALE None
			SHEET 1 OF 2

LPG PIPING & WIRING FIGURE (6.22)