



**MODEL BC-RT500/COLD IN-PLACE RECYCLER 2009
PARTS MANUAL**

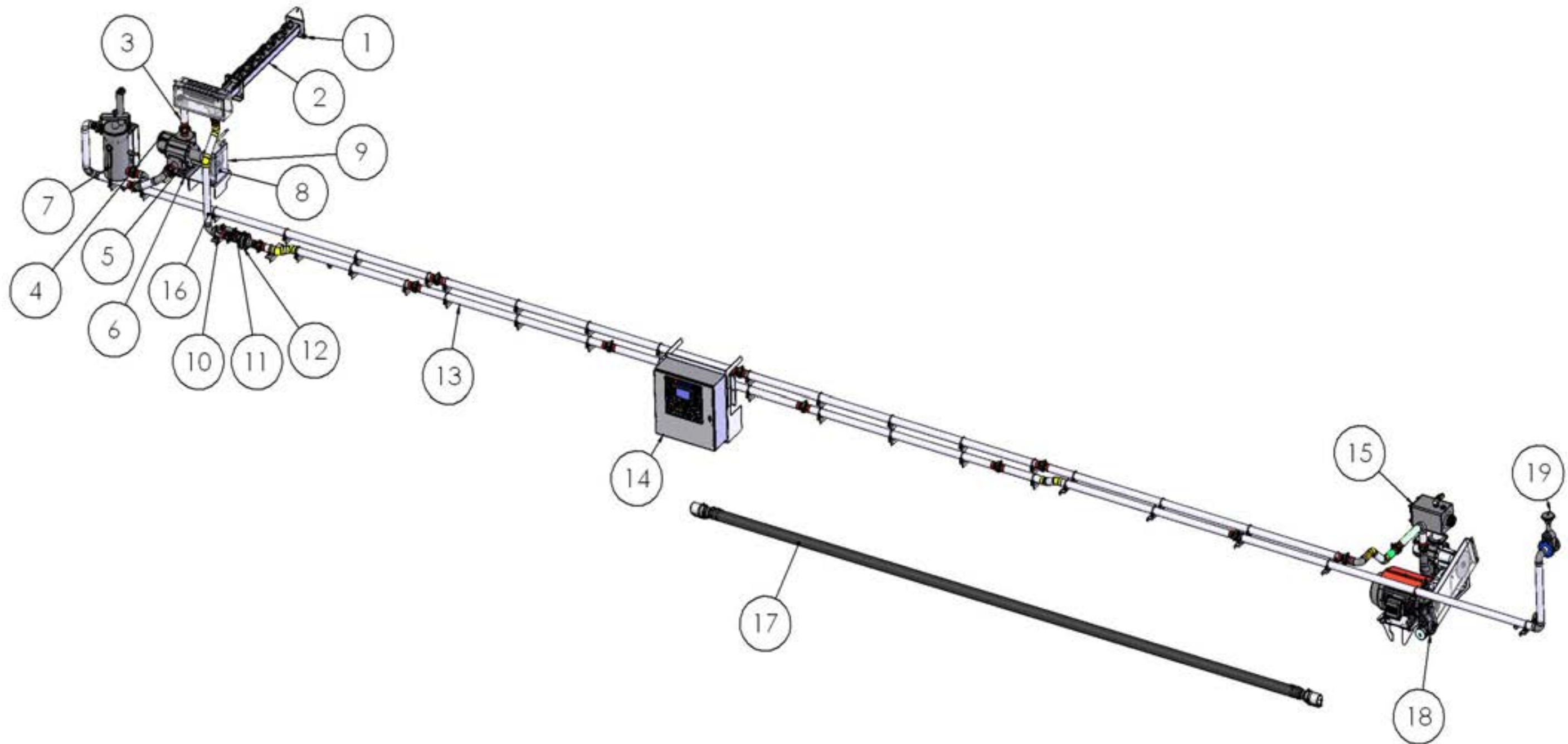


Figure 1-1. CIR ASM W/O H2O BAR, HOT OIL & FLUSH



Model RT500 CIR

Diagrams

REF	ITEM	DESCRIPTION	PARTNUMBER	QTY
7-1		CIR ASM W/O H2O BAR, HOT OIL & FLUSH	204934	RF
	1	SUPT SPRAYBAR 10 ST FOAM VLV ASM CIR	203818	1
	2	SPRAYBAR ASM W/O HOT OIL	204894	1
	3	UPR PLBG ASM METER TO SPRAYBAR W/O HOT OIL	204885	1
	4	METER 450M LEFT PORT-LOW SHAFT	204309-L-L	1
	5	FLANGE WDMT 450M METER/PUMP	204449	1
	6	MT PUMP/METER CIR	204417	1
	7	FILTER ASM W/O HOT OIL CIR	204982	1
	8	GEAR ASM 44 TEETH CIR	203979	1
	9	PUMP GRD CIR	204459	1
	10	CYL MTG ASM CIR	204592	1
	11	CYLINDER ASM 2.50 IN BUTTERFLY VALVE	CYL-27487	1
	12	PIPING/VALVE ASM W/O HOT OIL	204892	1
	13	PIPING ASM W/O HOT OIL	205070	1
	14	CTRL BX ASM NO OPTIONS	204899	1
	15	PUMP/MTR ASM EMUL SYS RT-500P (BRAZIL)	204980	1
	16	PLUMBING ASM ASP BAR CIR	204487	1
	17	LOAD HOSE ASM ASPHALT RT-500P	205067	1
	18	VALVE GATE 3 IN FLNG/3 IN MALE PIPE THRD	VLV-29291	1
	19	VALVE GATE 3 IN FLNG/FLNG W/ RNG-29060	VLV-29292	1

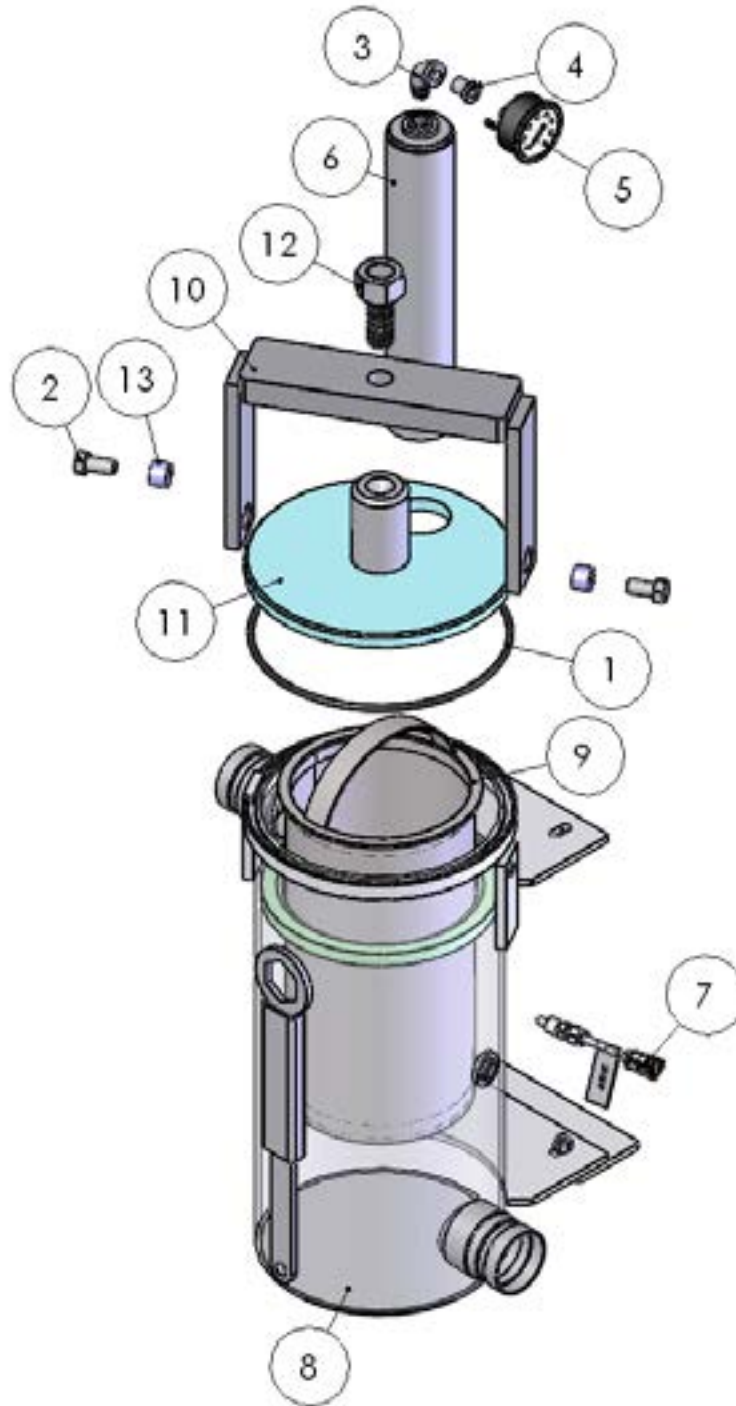


Figure 1-2. FILTER ASM RT500

FIG	ITEM	DESCRIPTION	PART NO	QTY.
7-2		FILTER ASM RT500	204982	RF
	1	O-RING .210 X 8.725 ID PARKER# 2-376	205206	1
	2	CAP SCR. HEX GR8 ZINC .50-13 X 1	FAS-28760	2
	3	ELBOW STREET MAL. 90DEG. .250 IN	FIT-28236	1
	4	BUSHING PIPE MAL HEX .250 X .125	FIT-28340	1
	5	AIR PRESSURE GAUGE 0-60 LB*	MTR-22351	1
	6	AIR GAGE RISER ASM FILTER ASM SP200	201021	1
	7	TEMP SENSOR ASM RTD TYPE 3"	204657	1
	8	FILTER HOUSING ASM W/O HOT OIL	204888	1
	9	FILTER ASM CIR	205090	1
	10	LATCH ASM FLTR ASM W/SCRN O-RING	205203	1
	11	LID STRAINER ASM PROD HOUSING RDTEC	205207	1
	12	BOLT ASM FLTR ASM W/SCRN BC-170 PMP SP200	FAS-42841	1
	13	BUSHING SPACER HOLD DOWN FILTER HSG SP200	PIP-42844	2

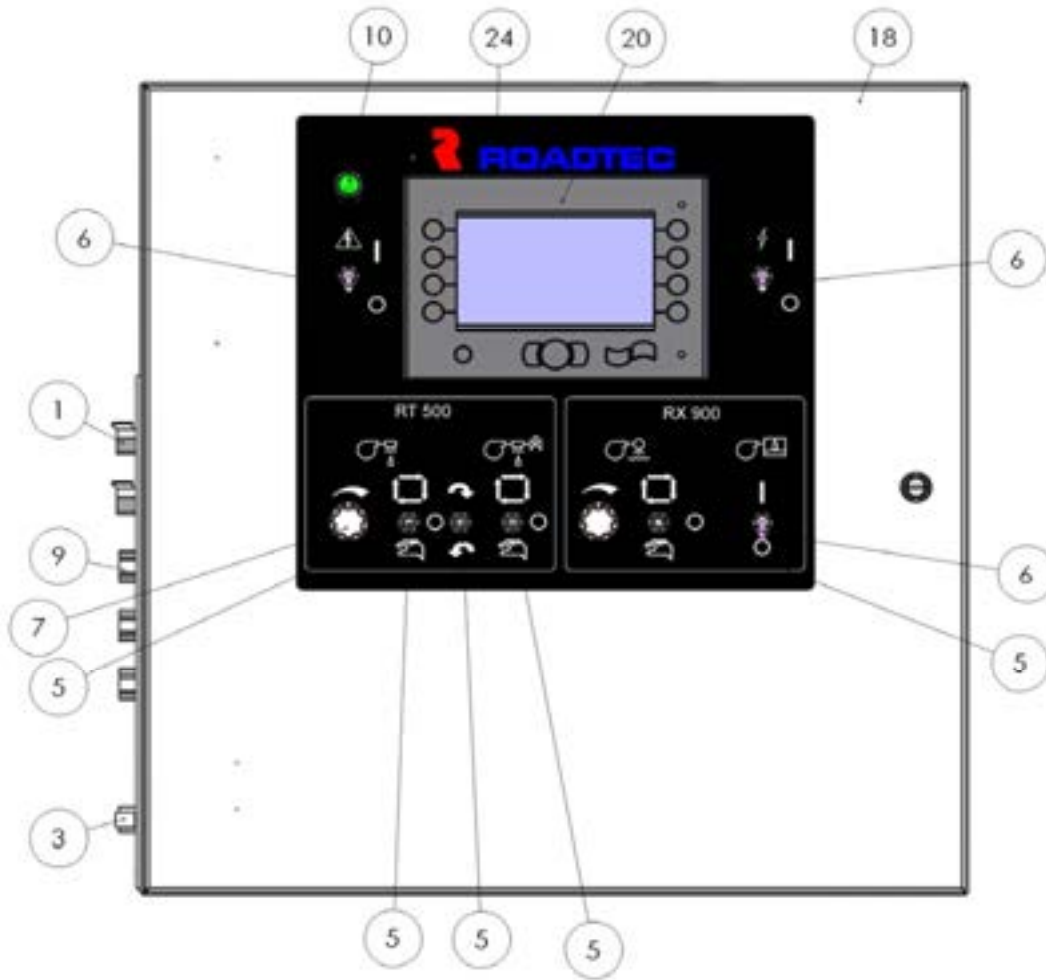


Figure 1-3. CONTROL BOX ASM RT500 FRONT VIEW

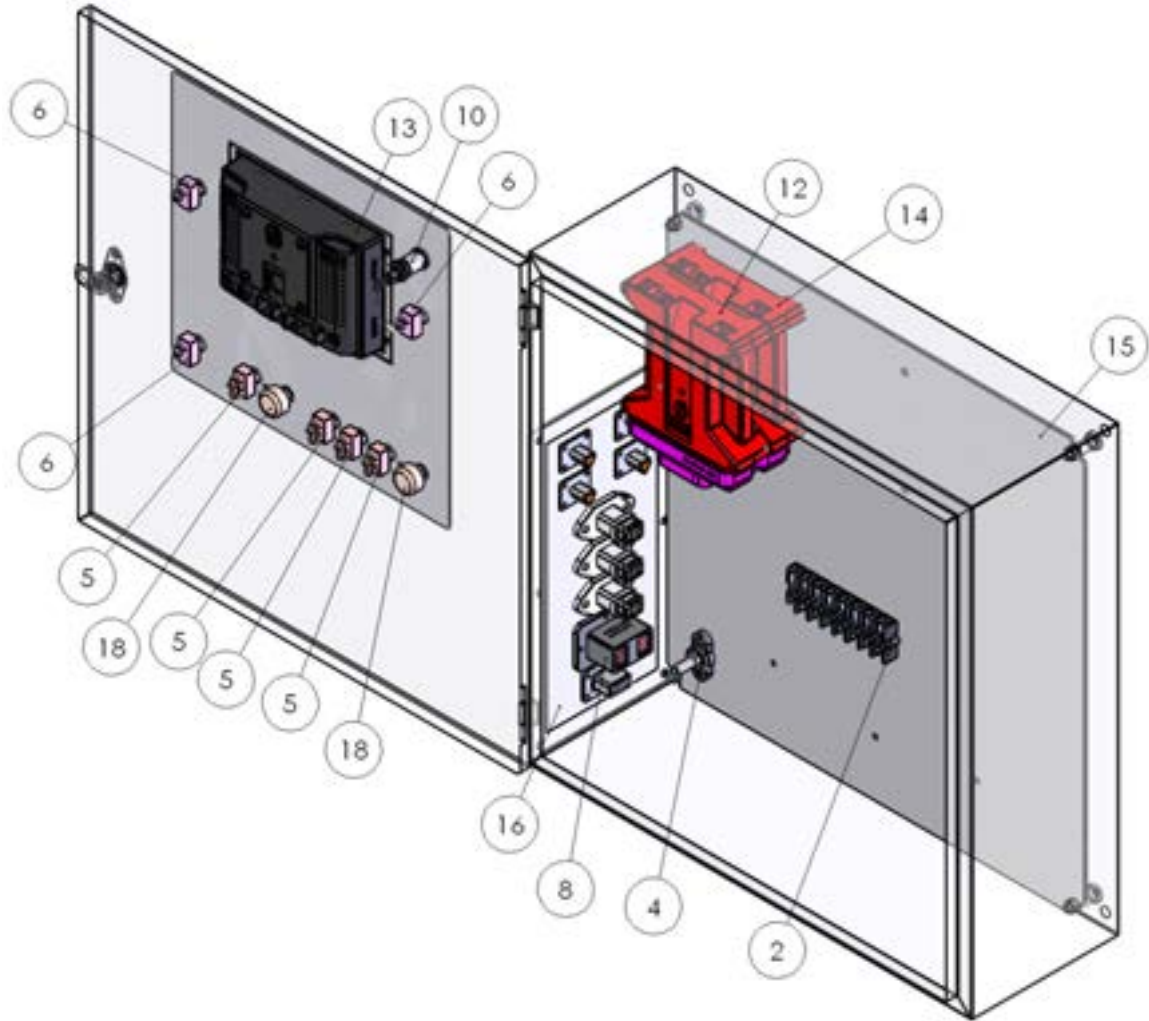


Figure 1-4. CONTROL BOX ASM RT500 ISO VIEW

Fig	Item	Description	Part No.	Qty
7-3		CONTROL BOX ASM RT500 FRONT VIEW	204899	RF
7-4		CONTROL BOX ASM RT500 ISO VIEW	204899	RF
	1	DEUTSCH 3 PIN RECPT 4 HOLE MT (DT04-3P)	200656	4
	2	TERMINAL BLOCK SECT 6-CONN TAB(MTB1-TB)	200710	8
	3	DEUTSCH 12 PIN REC W/FLG DT04-12PA-L012*	203118	1
	4	TERMINAL BLOCK SINGLE POST	ELC-24231	1
	5	SWITCH SEALED ON-OFF-ON SPDT	ELC-24272A	4
	6	SWITCH ON/OFF ONE POLE TOGGLE	ELC-24275	3
	7	KNOB COMPUTER RATE CONTROLLED	ELC-24284	2
	8	DEUTSCH 24 PIN RECPT KEYED A(DRC12-24PA)	ELC-26255	1
	9	DEUTSCH 8-PIN RECPT(DT04-08PA-LE03)	ELC-26262	3
	10	LIGHT GREEN CHIPPER NEUTRAL INDICATOR	ELC-60306	1
	11	BOX MOD ENCLOSURE OIL TIGHT 24 X 24 X 8	203786	1
	12	PLUS1 NODE 3 CIR	203789	1
	13	PLUS 1 DISPLAY DP610 CIR	203802	1
	14	PLUS1 NODE 4 CIR	203803	1
	15	PNL BACK ENCLOSURE CIR	203804	1
	16	PANEL CONNECTOR CTRL BOX ASM CIR	204984	1
	17	DECAL RT-500P CTRL BOX	205256	1
	18	STALL POT WIRE HARN W/3 PIN MALE PLUG	ELC-61122	2

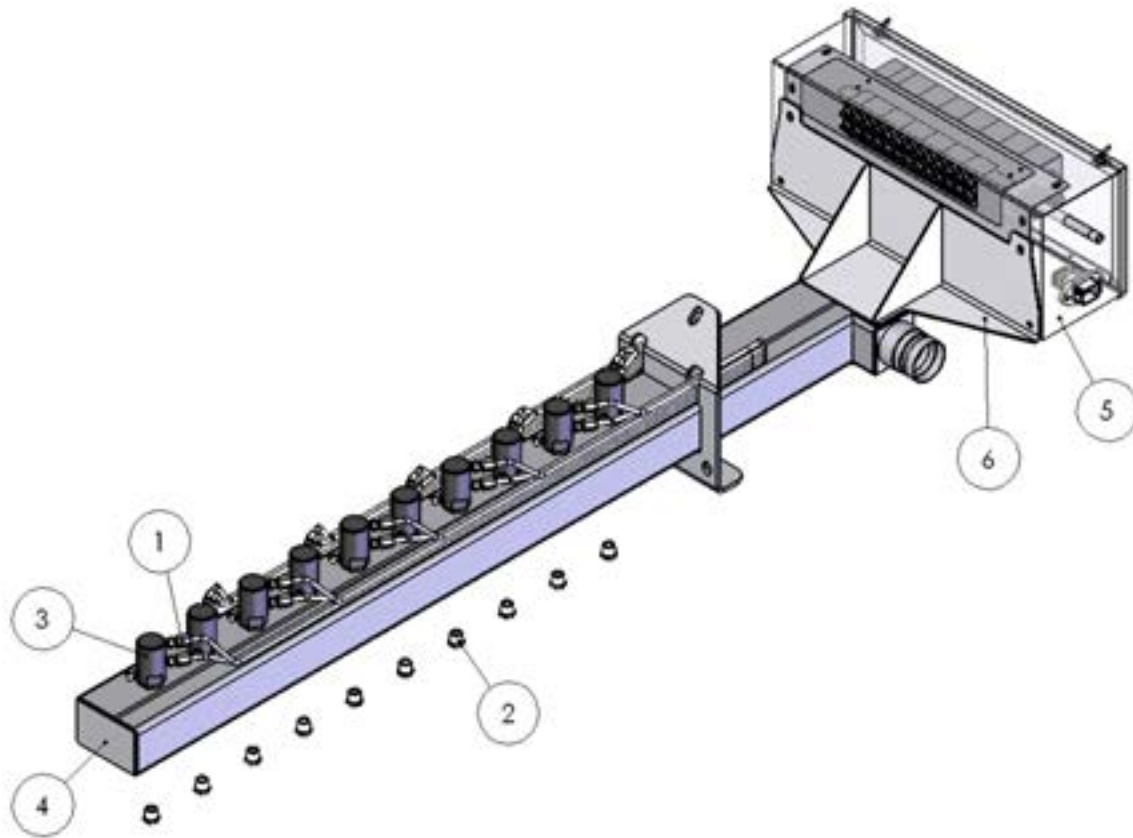


Figure 1-5. SPRAYBAR ASM RT500

Fig	Item	Description	Part No.	Qty
7-5		SPRAYBAR ASM RT500	204894	RF
	1	1468X4	4CT-2MP	20
	2	NOZZLE FOAMING VALVE .375NPT .375 HOLE	202117	10
	3	SPRAY VALVE ASM DISTR	202360	10
	4	WDMT SPRAYBAR ASM W/O HOT OIL	204895	1
	5	ENCLOSURE 8x20x6 WITH VS-18 13 ST	204994	1
	6	MNT ASM ENCLOSURE 8 x 20 x 6 VS-18 VLV BNK	205005	1

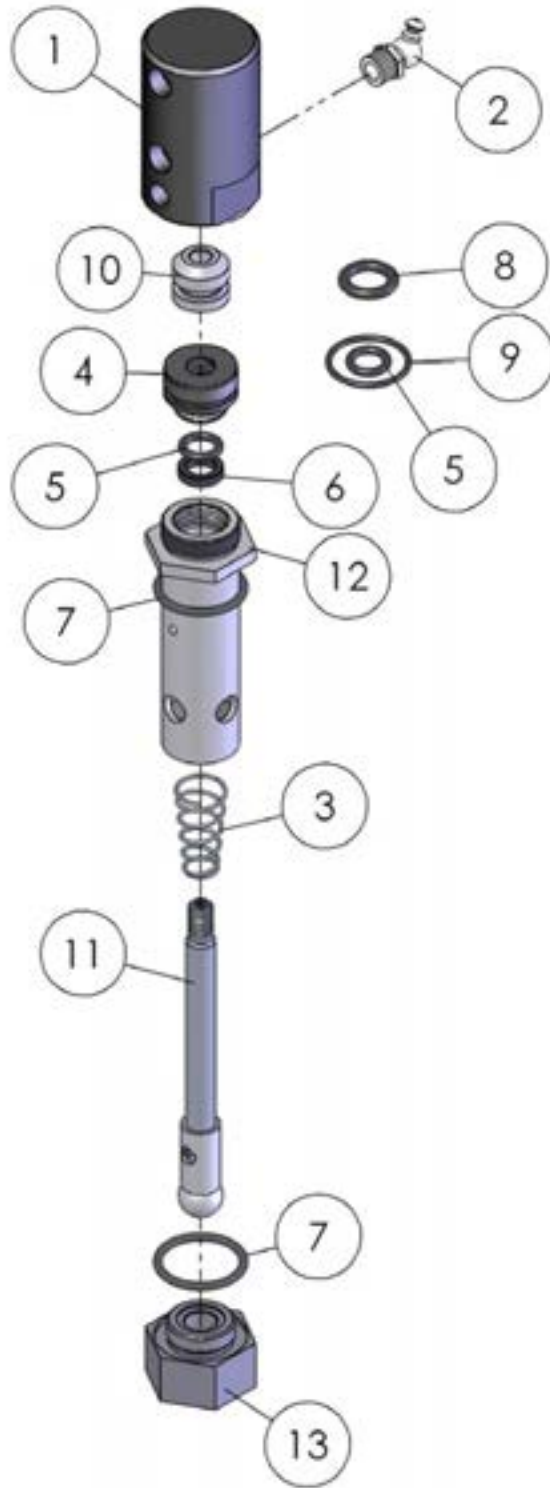


Figure 1-6. SPRAYVALVE ASM RT500

Fig	Item	Description	Part No.	Qty
7-6		SPRAYVALVE ASM RT500	202360	RF
	1	HOUSING CYINDER SPRAY VALVE ASM DISTR	202359	1
	2	ZERK 1688 B ALEMITE	45D2MP-Z	1
	3	SPRING, CONICAL	FAS-27418	1
	4	STEM SLEAVE SPRAY VALVE ASM	MCH-42351	1
	5	VITON 2-110 O-RING BAR STEM	RNG-26927	2
	6	SEAL BAR STEM	RNG-27232	1
	7	O-RING VITON (2-120) VITON 75 (SB 2000	RNG-40520	2
	8	ORING VITON PARKER 2-206 .484IDX.139W	RNG-42356	1
	9	O-RING .07 X .938	RNG-42357	1
	10	PISTON CYLINDER VALVE ASM	201767	1
	11	STEM ASM SPRAY VALVE W/BEARING POPPET	203908	1
	12	HOUSING 4-HOLE SPRAY VALVE ASM SP200	204863	1
	13	BUSHING NOZZLE .375 NPT SP200/DISTR	FIT-40516	1

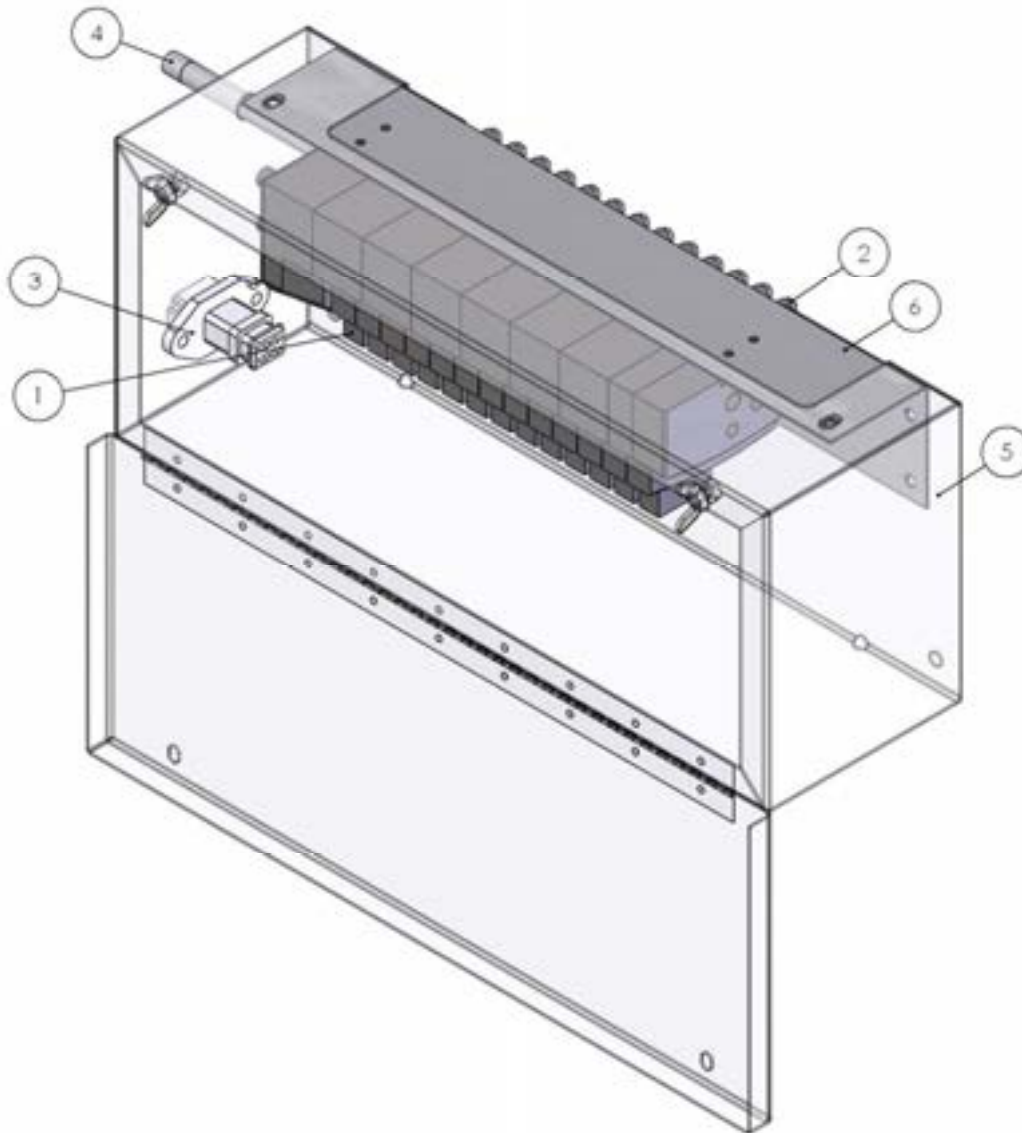


Figure 1-7. SPRAYVALVE CONTROL BOX ASM RT500

Fig	Item	Description	Part No.	Qty
7-7		SPRAYVALVE CONTROL BOX ASM RT500	204994	RF
	1	VS-18 VALVE ASM 24VDC AIR CAN OPEN 13 ON 13 STA CAN OPEN	205002	1
	2	C5205X4	4MJ-2MP	26
	3	DEUTSCH 8-PIN RECPT(DT04-08PA-LE03)	ELC-26262	1
	4	NIPPLE, SCH40 .250 X 6	FIT-28041	1
	5	ENCLOSURE 8 x 20 x 6 VS-18 VLV BNK	204990	1
	6	BASE VS-18 VLV 13 BANK	204999	1

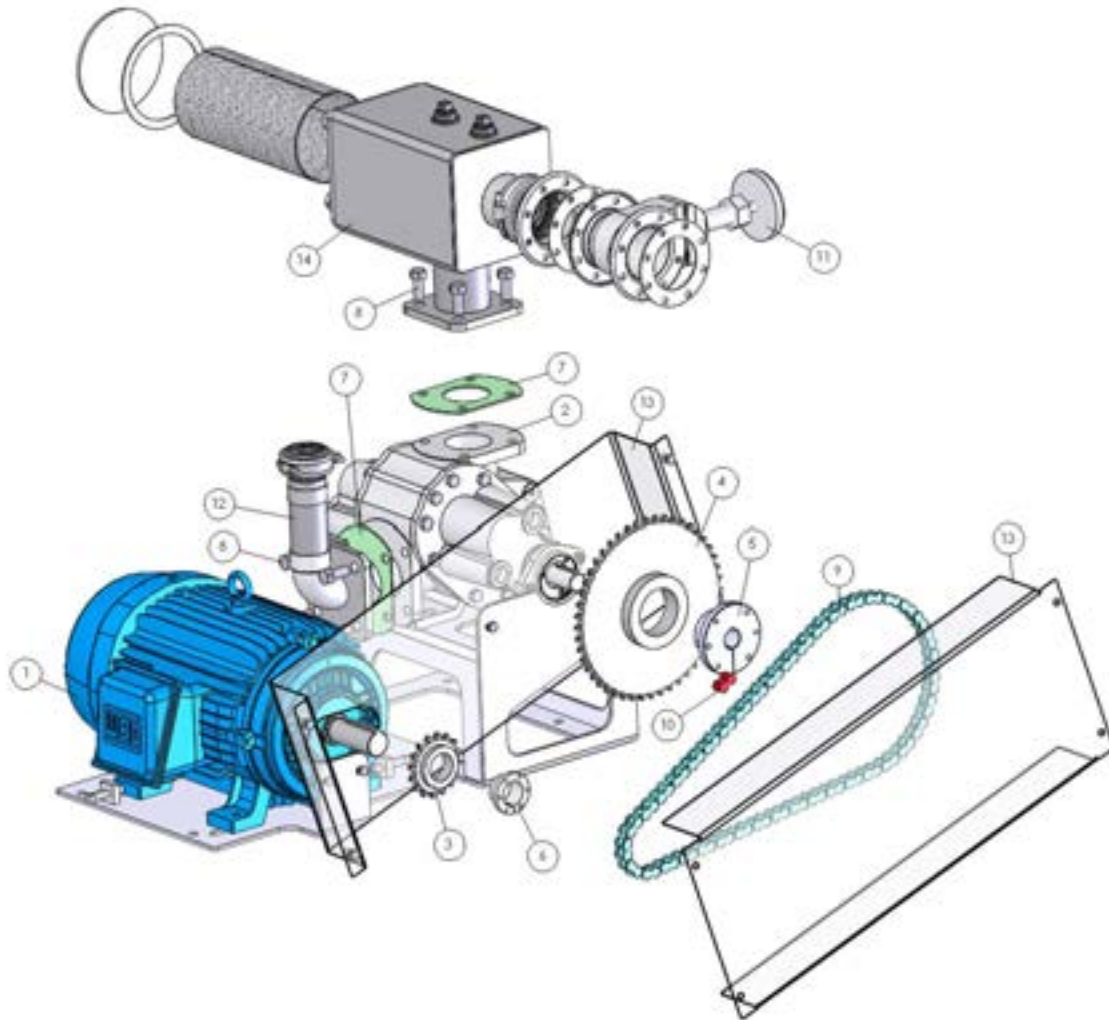


Figure 1-8. PUMP & MOTOR ASM RT500

Fig	Item	Description	Part No.	Qty
7-8		PUMP & MOTOR ASM	204980	RF
	1	10 HP 3 PH 1200 RPM 256T FRAME MOUNT	204333	1
	2	PUMP 300 ASM TT2009 LH PORT, TOP INLET, LOW SHAFT	204338	1
	3	SPROCKET 16 TOOTH #60 SINGLE ROW CHAIN BUSHING TYP	204874	1
	4	SPROCKET 48 TOOTH #60 SINGLE ROW CHAIN BUSHING TYP	204876	1
	5	BUSHING QD TYPE FOR 204876 SPROCKET CIR	204911	1
	6	BUSHING 1 5/8 SHAFT	204912	1
	7	GASKET 300 PUMP (204338)	205086	2
	8	CAP SCR. HEX GR5 ZINC .625-11 X 1.50	FAS-28777	8
	9	CHAIN ROLLER #60 SINGLE ROW	PTM-32614	1
	10	MASTER LINK #60 SINGLE ROW ROLLER CHAIN	PTM-32616	1
	11	VALVE GATE 3 IN FLNG/FLNG W/ RNG-29060	VLV-29292	1
	12	PLBG ASM TOP REAR INTAKE PUMP W/O HOT OIL	204900	1
	13	PUMP MT ASM EMUL SYS	205012	1
	14	INTAKE STRAINER ASM EMULSION SYS RT-500P BRAZIL	205033	1

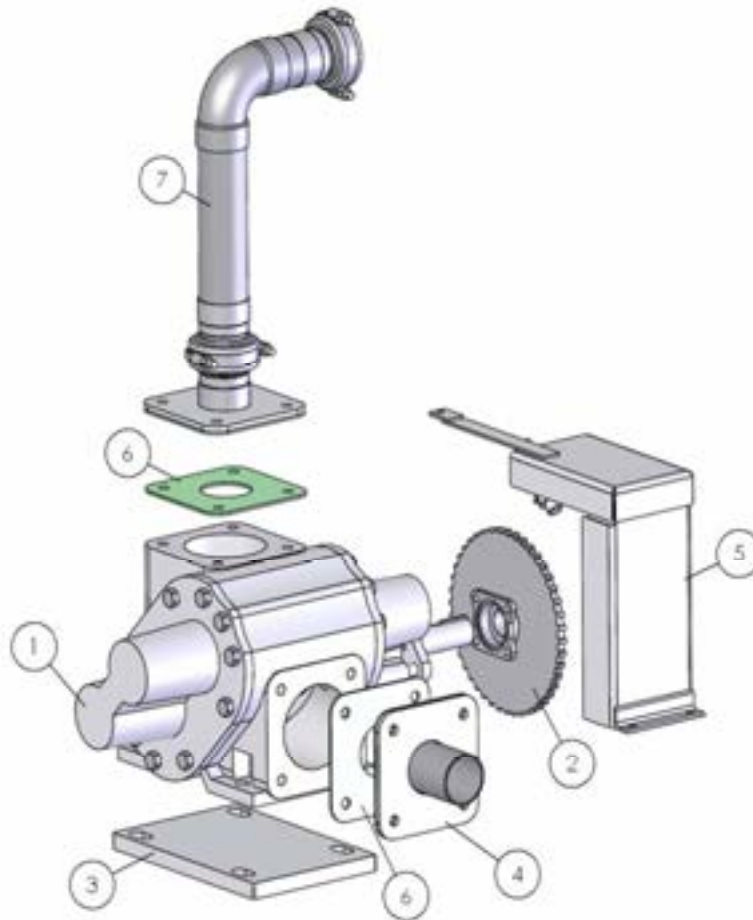
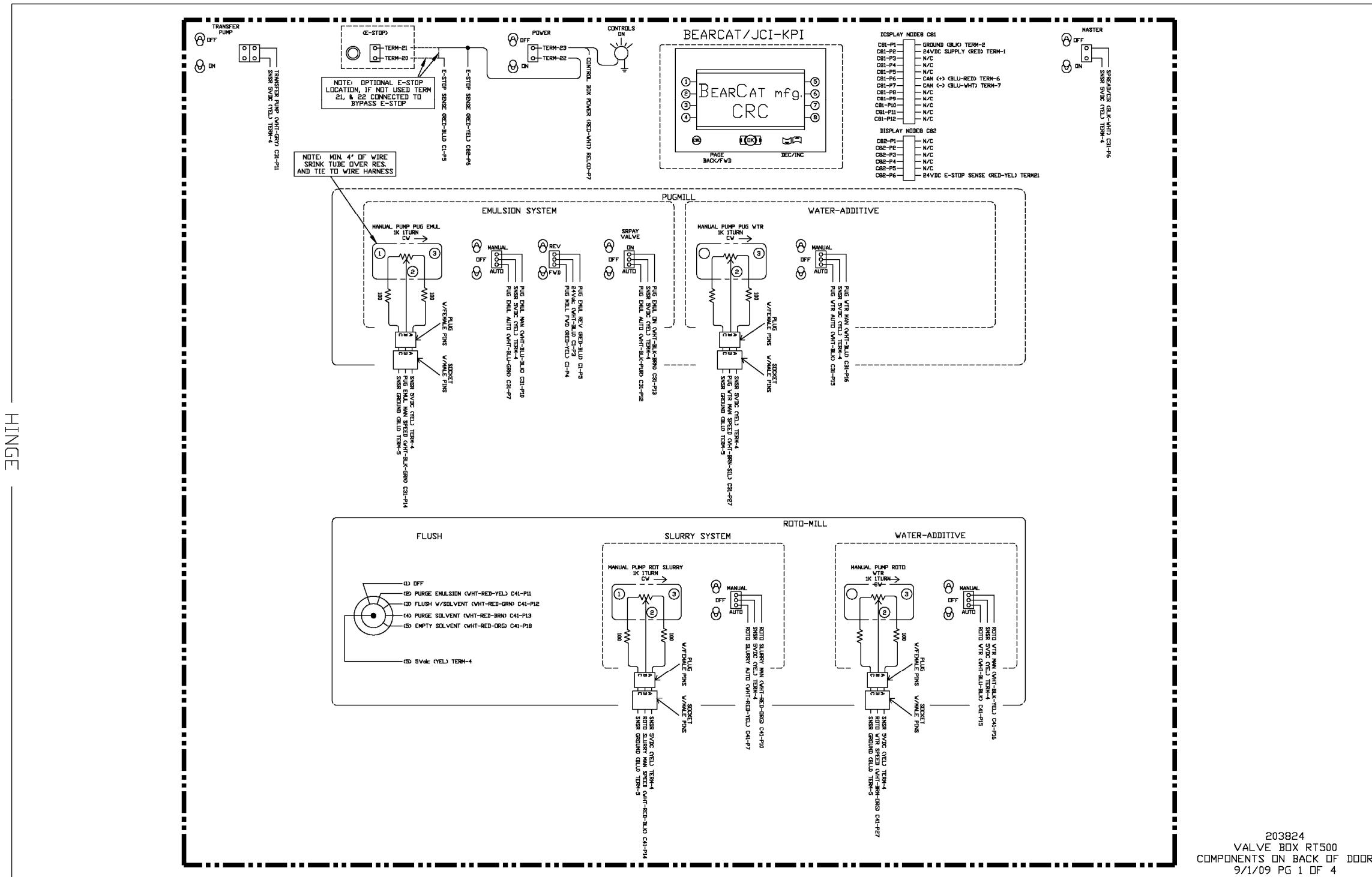


Figure 1-9. 450 METER ASM RT500

1	METER 450M LEFT PORT-LOW SHAFT	204309-L-L	1
2	GEAR ASM 44 TEETH CIR	203979	1
3	MT PUMP/METER CIR	204417	1
4	FLANGE WDMT 450M METER/PUMP	204449	1
5	PUMP GRD CIR	204459	1
6	GASKET FOR PUMP FLANGE W 2 1/2" HOLE	204537	2
7	UPR PLBG ASM METER TO SPRAY BAR W/O HOT OIL	205299	1

SECTION 1. DIAGRAMS



203824
VALVE BOX RT500
COMPONENTS ON BACK OF DOOR
9/1/09 PG 1 OF 4

Figure 1-1. Schematic Wiring Control System (CRC) Backside of Door 1 of 4

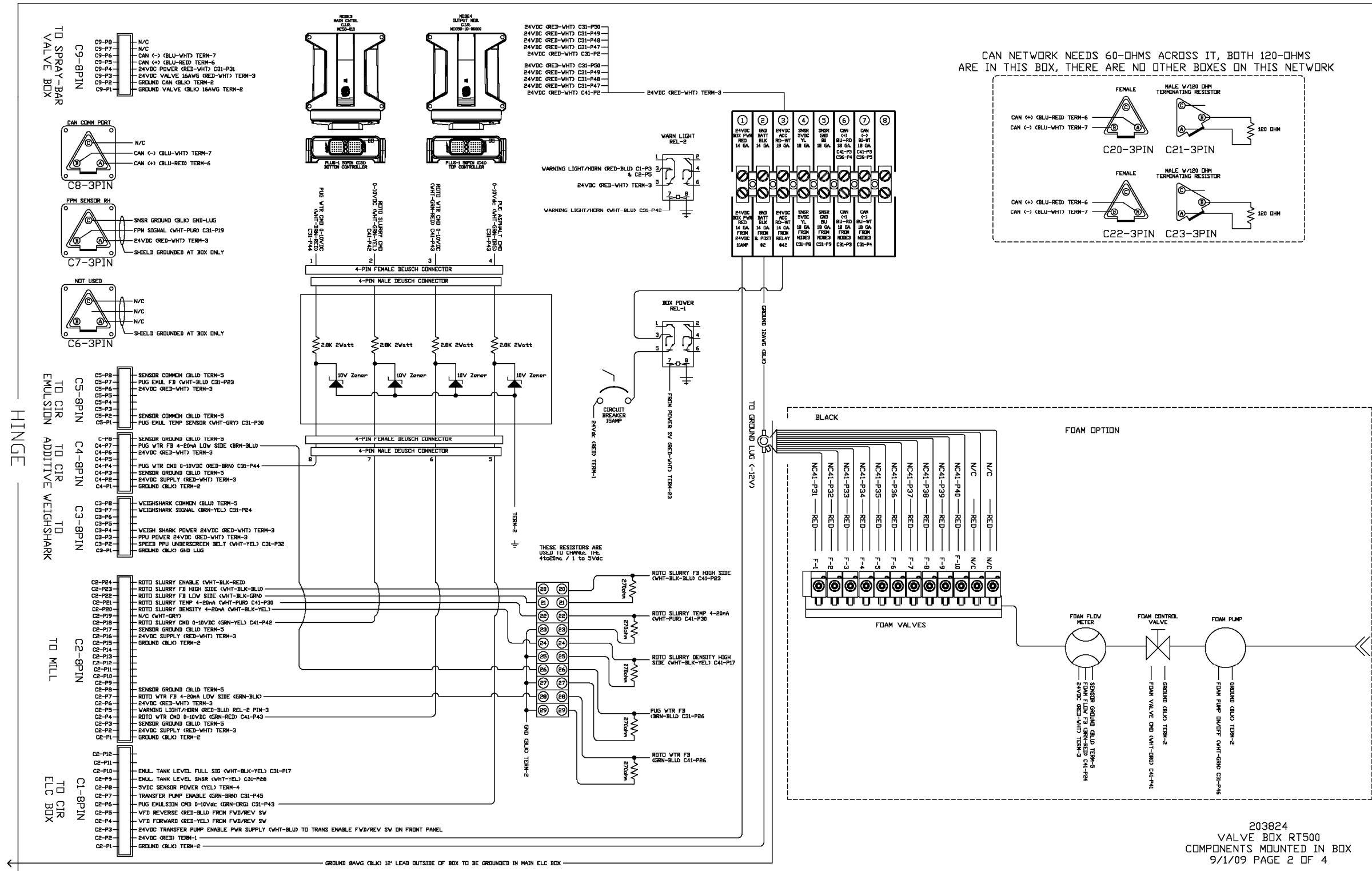


Figure 1-2. Schematic Wiring Control System (CRC) Inside of Box 2 of 4

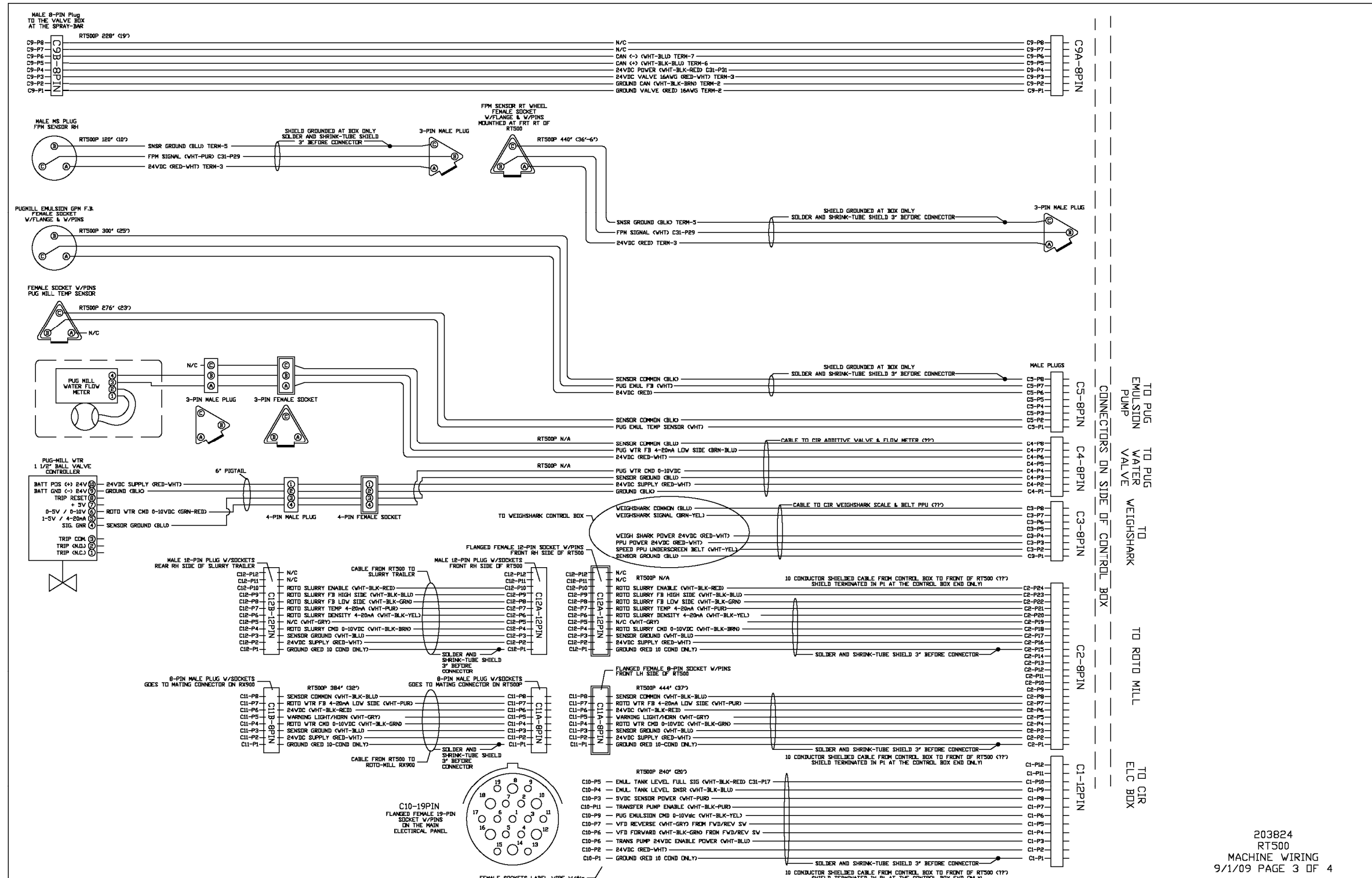


Figure 1-3. Schematic Wiring Control System (CRC) Machine 3 of 4

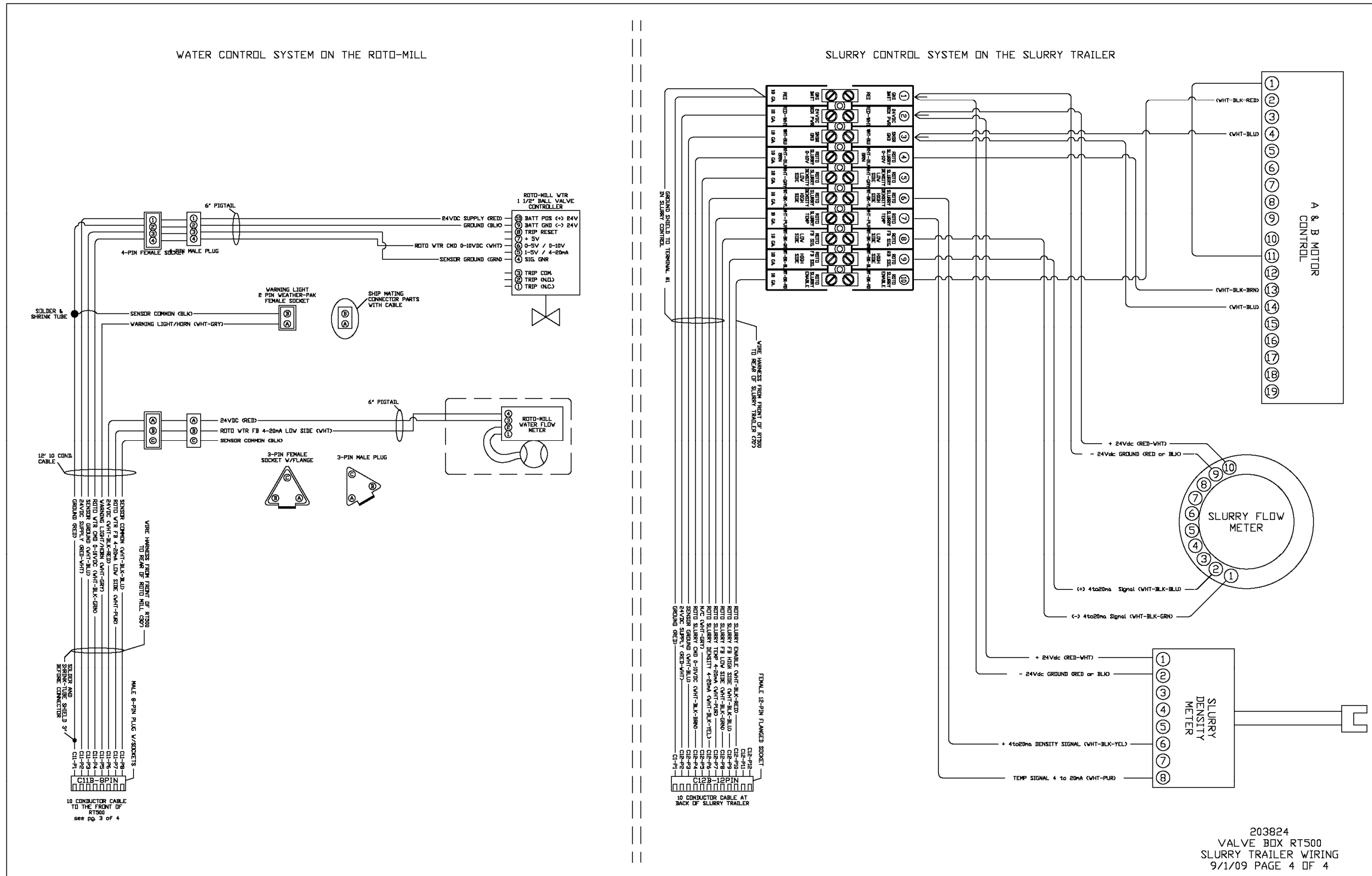


Figure 1-4. Schematic Wiring Control System (CRC) on RX900 / Dwg. 4 of 4

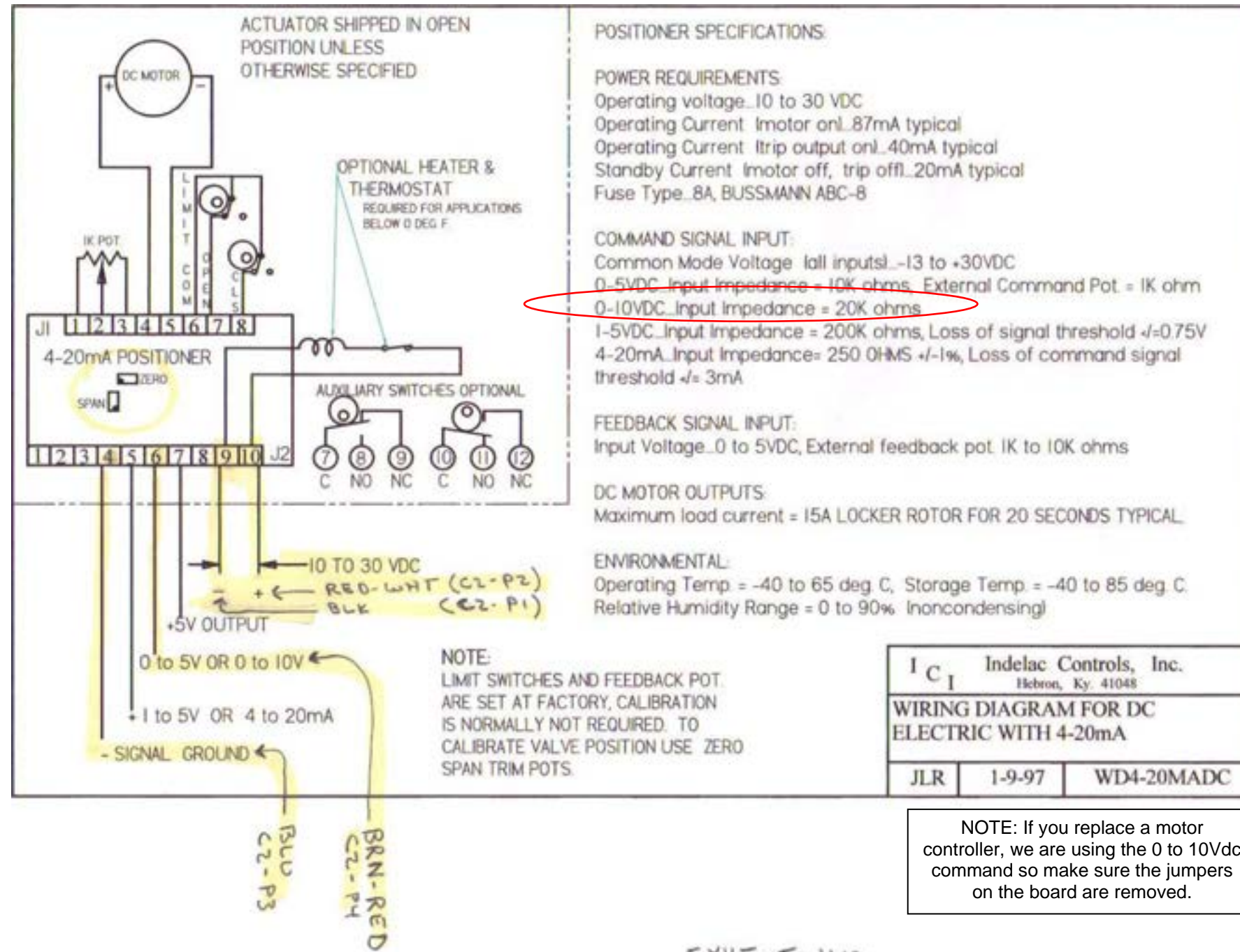
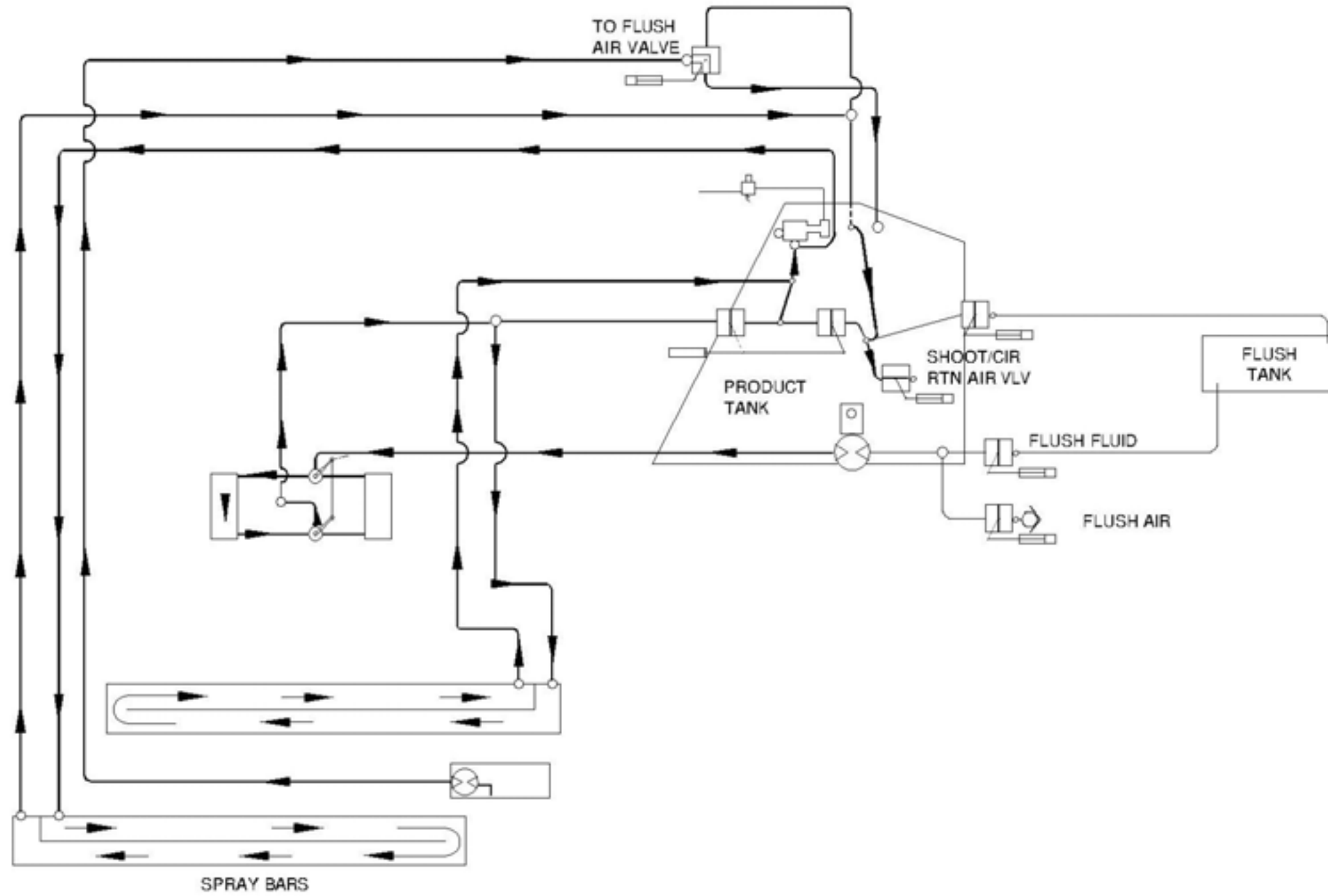


Figure 1-5. Schematic Wiring Water Flow Control Valve

Figure 1-6. Schematic Wiring Water Flow Meter



CIRCULATE MODE
DRAWING 200653

Figure 1-7. Liquid Asphalt Path Circulation Schematic

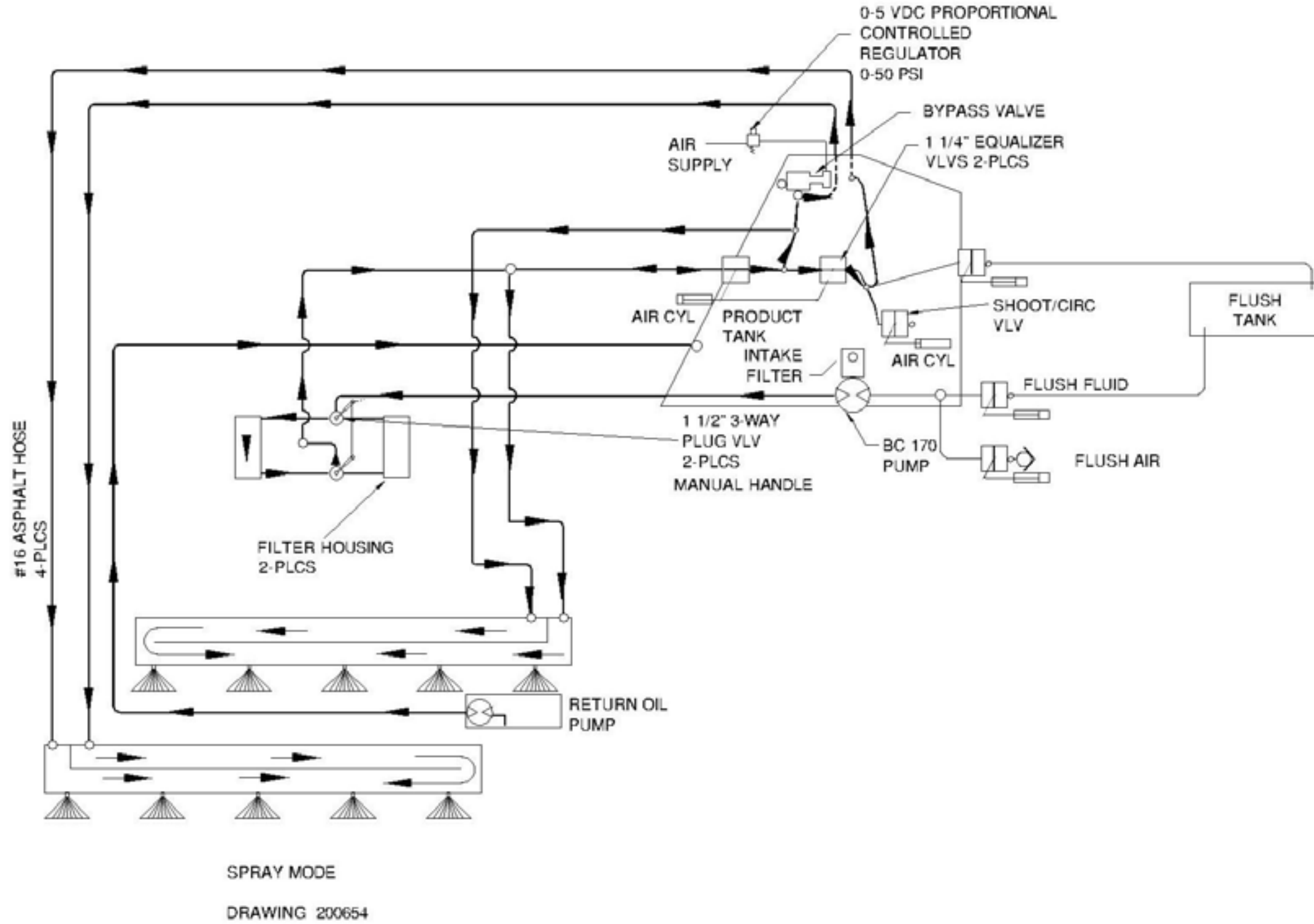


Figure 1-8. Liquid Asphalt Path Spray Schematic

Figure 1-9. Liquid Asphalt Path Flush Schematic

Figure 1-10. HOT OIL Control Schematic



SECTION 2. FUTURE INFO