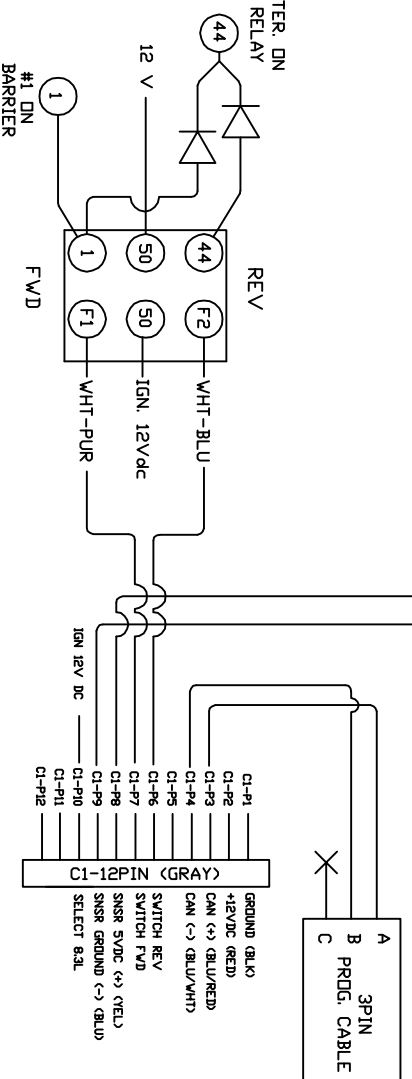
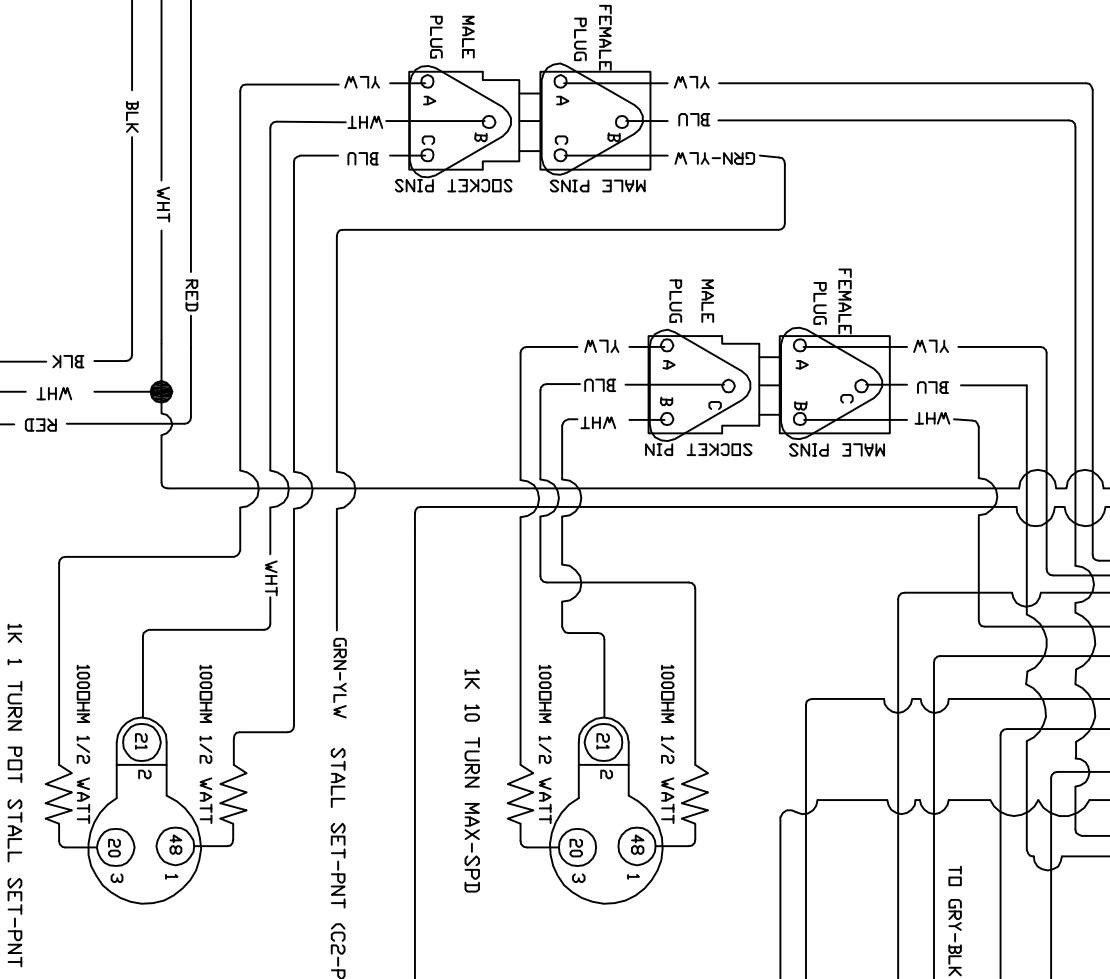
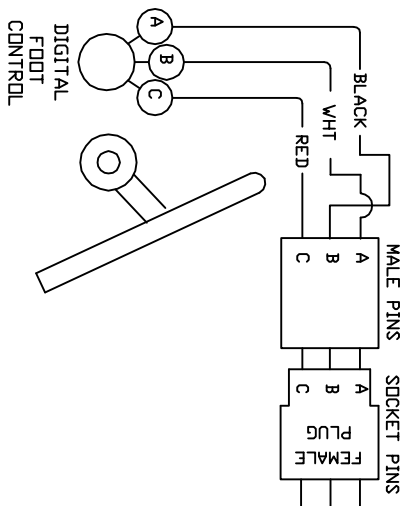
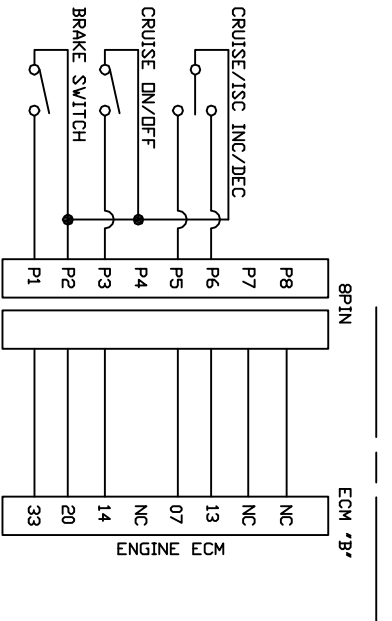
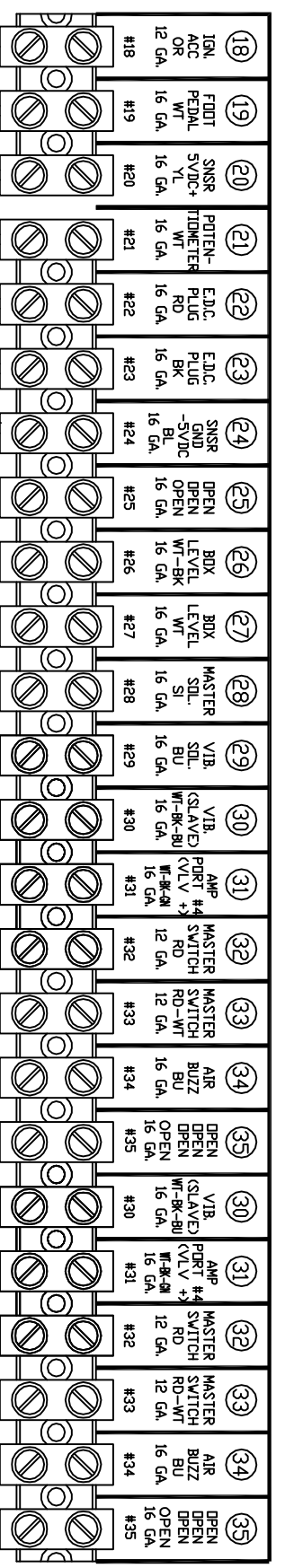
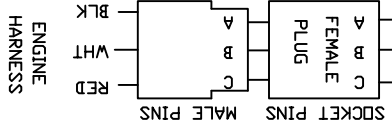


C1-P2 12VDC ACC



NOTE: WIRE COLOR & PIN LETTERS AT EACH CONNECTOR



200798
 CHIPPER E.D.C. &
 SAUER-DANFOSS
 DIGITAL FOOT
 W/PLUS-1 ANTI-STALL
 CTRL WIRING

QTY	NEXT ASS'Y	MADE BY	BEARCAT
?	??????????	APPROVED	
		MATERIAL	
		SEE PRINTED B.O.M.	
		DRAWING NO.	200798
		FINISH	
TITLE		 3650 SABIN BROWN RD. WICKENBURG, AZ 85390 BEARCAT MFG. (928) 684-7851	
STANDARD .X		AUTHDR	RTC
TOLERANCE +02		SCALE	NDNE
		DATE	7-20-06
		SHEET	1 OF 1