

Figure 0-1. Model BC-501/CRC Asphalt Distributor



Fig	Detail	Description	Part No.	Qty.
8-1	-1	Asphalt Distributor	BC-501/CRC	RF
	A	CRC Master Control, Stand and Rear Control (See Figure 8-2 for Details)		1
	B	Mirror Assembly (See Figure 8-3 for Details)	GRD-26383	2
	C	Tank Assembly with E.V. Tank (See Figure 8-4 for Details)		1
	D	Rear Assembly Plumbing (See Figure 8-5 for Details)		1
	E	Rear Assembly Frame (See Figure 8-6 for Details)		1
	F	Hydrostatic System (See Figure 8-7 for Details)		1
	G	Truck Chassis (See Figure 8-8 for Details)		1
	H	3648 Pump Assembly Packed (See Figure 8-9 for Details)	PMP-33721	AR
	I	3648 Pump Assembly Modified (See Figure 8-9A for Details)	PMP-33720	AR
	J	Single Fold Spray Bar Complete (See Figure 8-10 for Details)		AR
	K	Double Fold Spray Bar Complete (See Figure 8-10A for Details)		AR
	L	Triple Fold Spray Bar Complete (See Figure 8-10B for Details)		AR
	M	Valve Box Assembly (See Figure 8-11 for Details)		1
	N	Diesel Burner Assembly (See Figure 8-12 for Details)	PTM-24951	1
	O	Wet Box and Glove Box Options (See Figure 8-13 for Details)		AR
	-	Guide Rod Assembly	BRK-23000	1
	-	Tool Box	HSG-27706	1
	-	Safety Decals and Plates (See Figure 8-14 for Details)		1

Figure 0-2. 97 CRC Master Control, Stand and Rear Control

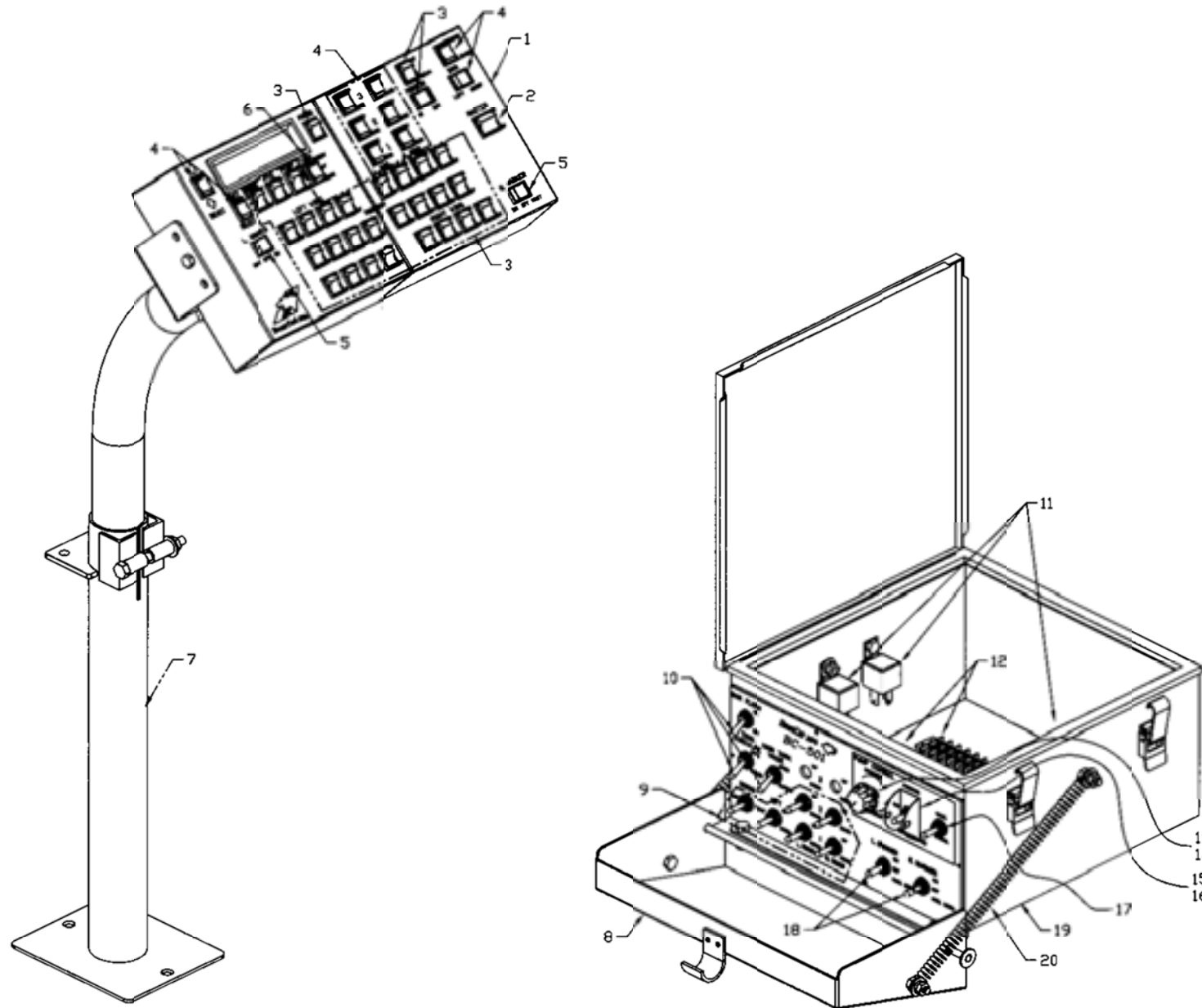


Fig	Item	Description	Part No.	Qty.
8-2		97 CRC Master Control, Stand and Rear Control		RF
	1	CRC Master Control Serial	MTR-26224	1
	2	Master, Rocker Switch	ELC-26219	1
	3	Rocker Switch On-Off	ELC-26223	30
	4	Rocker Switch Mom On-Off-Mom	ELC-26221	10
	5	Rocker Switch Mom On-Off-On	ELC-26227	2
	6	Rocker Switch On-Off-On	ELC-26222	1
	7	Console Stand Assembly	BRK-24360	1
	8	Cover Guard Control Box	GRD-52116	1
	9	Switch Sealed Mom On-Off-On Mom	ELC-24274A	6
	10	Switch Sealed SPST On-Off	ELC-24275A	3
	11	70 Amp Power Relay	ELC-24270	3
	12	Barrier Strip 20-Lug	ELC-24220	2
	13	Knob Potentiometer	ELC-24284	1
	14	10 Turn Potentiometer	ELC-24288	1
	15	Switch, Forward, Reverse, DPDT on Hesitation – On	ELC-24273	1
	16	Switch Guard	GRD-24279	1
	17	Switch Sealed DPST On-On	ELC-24268A	1
	18	Switch Sealed DPST On-Off-On	ELC-24276A	2
	19	Rear Control Box Assembly	ELC-52117	1
	20	Spring	FAS-29407	2

Figure 0-2A. 98-2000 CRC Master Control, Stand and Rear Control

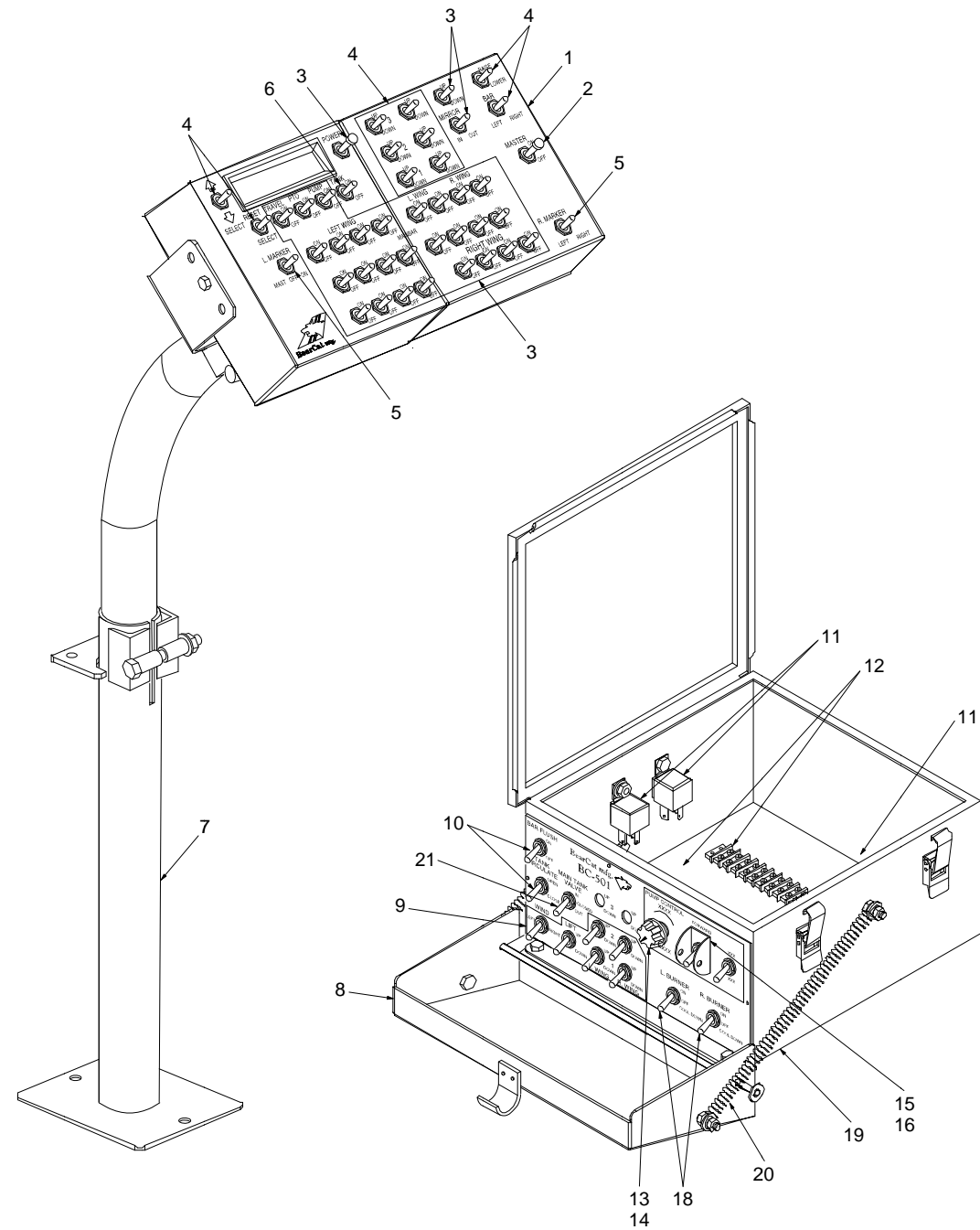


Fig	Item	Description	Part No.	Qty.
8-2A		98-2000 CRC Master Control, Stand and Rear Control		RF
	1	CRC Master Control Serial	MTR-26224	1
	2	Master, Toggle Switch	ELC-24275	1
	3	Toggle Switch On-Off	ELC-24275	34
	4	Toggle Switch Mom On-Off-Mom	ELC-24274	10
	5	Toggle Switch Mom On-Off-On	ELC-51748	2
	6	Toggle Switch On-Off-On	ELC-24272	1
	7	Console Stand Assembly	BRK-24360	1
	8	Cover Guard Control Box	GRD-52116	1
	9	Switch Sealed Mom On-Off-On Mom	ELC-24274A	6
	10	Switch Sealed SPST On-Off	ELC-24275A	3
	11	70 Amp Power Relay	ELC-24270	3
	12	Barrier Strip 20-Lug	ELC-24220	2
	13	Knob Potentiometer	ELC-24284	1
	14	10 Turn Potentiometer	ELC-24288	1
	15	Switch, Forward, Reverse, DPDT on Hesitation – On	ELC-24273	1
	16	Switch Guard	GRD-24279	1
	17	Switch Sealed DPST On-On	ELC-24268A	1
	18	Switch Sealed DPST On-Off-On	ELC-24276A	2
	19	Rear Control Box Assembly	ELC-52117	1
	20	Spring	FAS-29407	2
	21	Switch Sealed DPST On-Off-On	ELC-24276A	1

Figure 0-3. Mirror Assembly

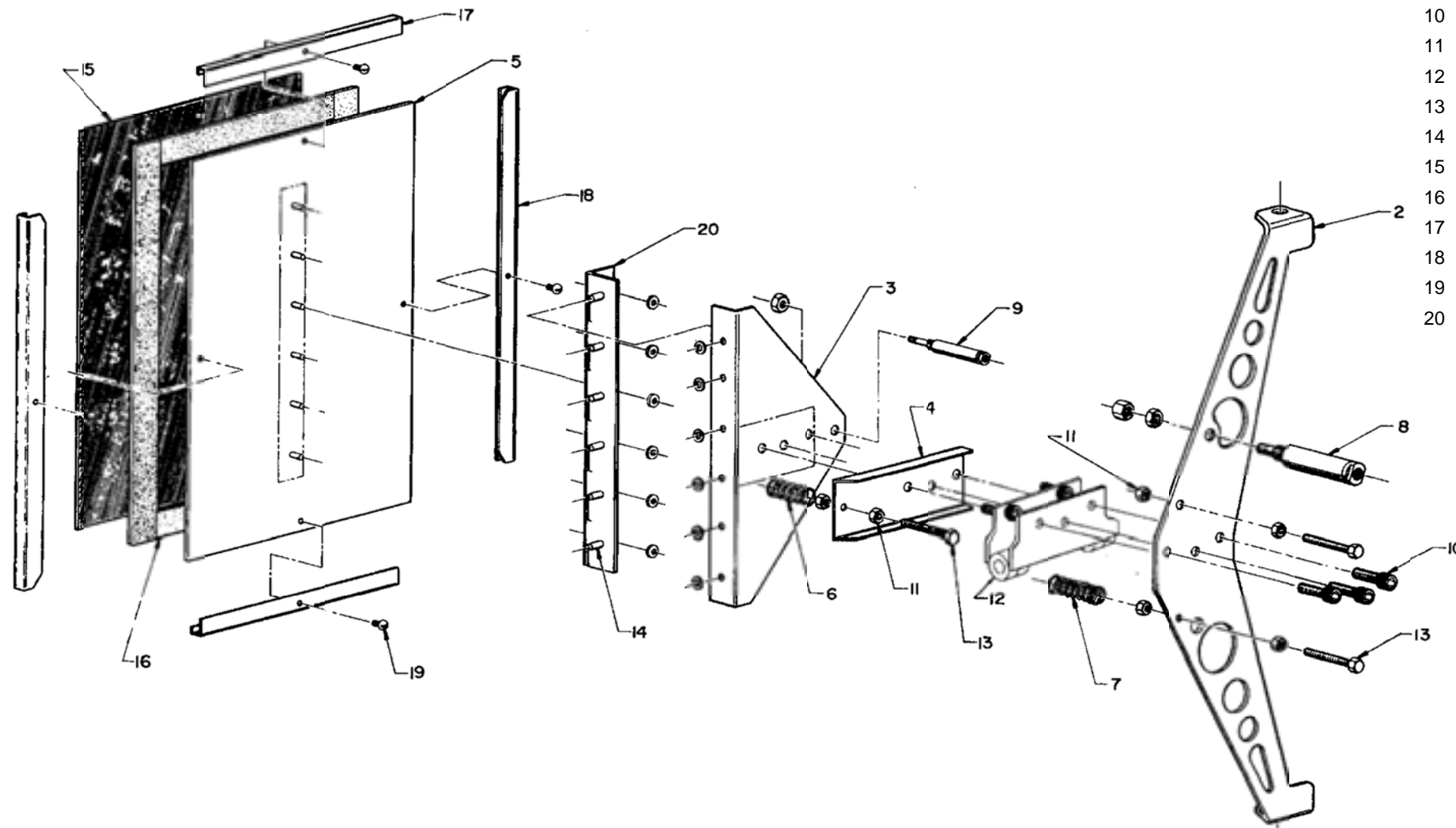
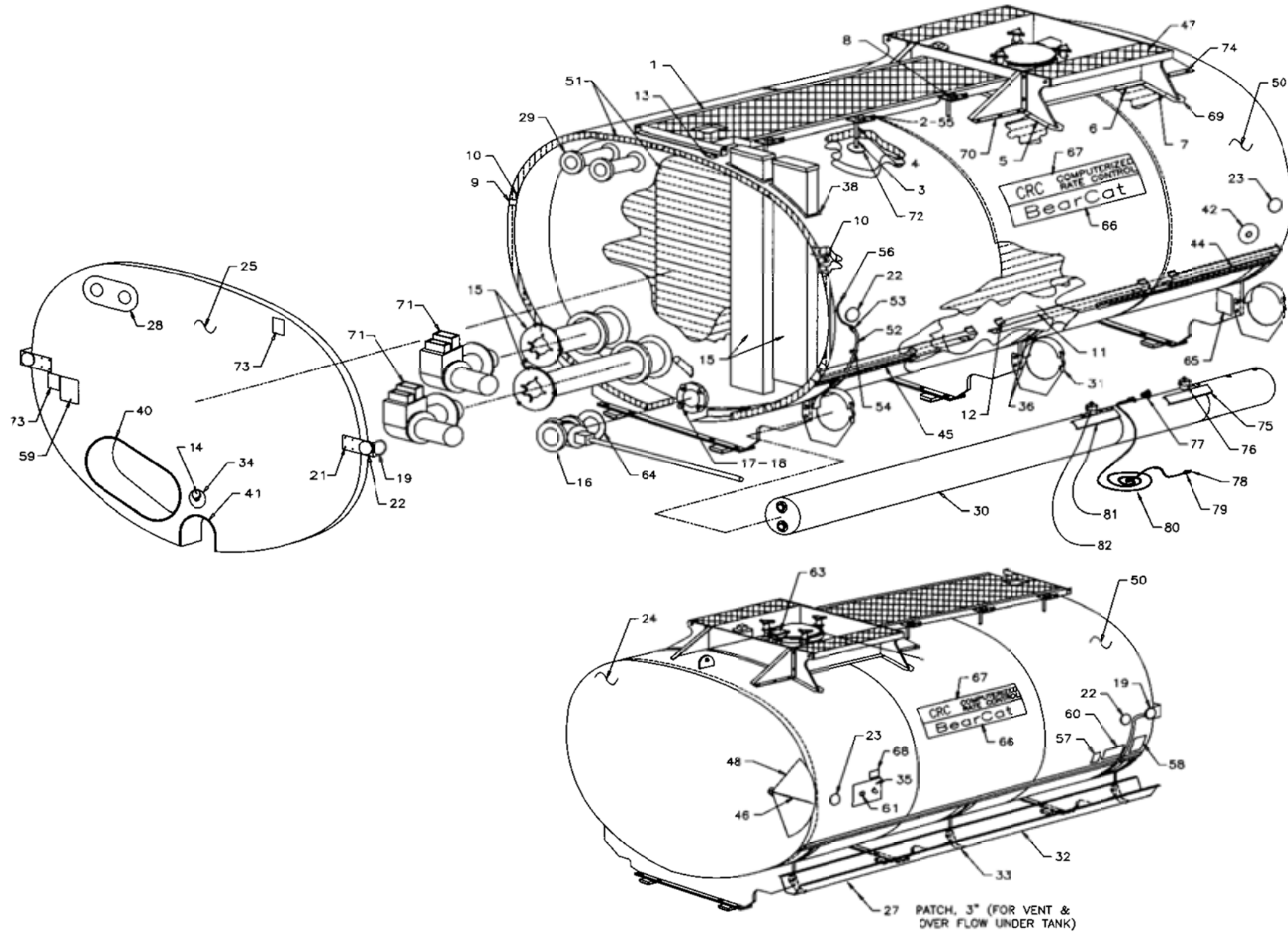


Fig	Item	Description	Part No.	Qty.
8-3	-1	Mirror Assembly	GRD-26383	RF
	2	Long Mirror Bracket	BRK-26404	1
	3	Short Mirror Bracket	BRK-26407	1
	4	Spring Retaining Bracket	BRK-26499	1
	5	Mirror Backing Plate	MSM-26381A	1
	6	Long Spring	FAS-29410	2
	7	Short Spring	FAS-29411	1
	8	Air Cylinder	CYL-27318	1
	9	Small Air Cylinder Mirror	CYL-27317	1
	10	Soc. Hd. Cap Screw 1/4 - 20 x 5/8	FAS-25464	6
	11	1/4" - 20 Nut	FAS-28500	6
	12	Mirror Hinge (BearCat)	FAS-100084	1
	13	Bolt 1/4" - 20 x 2"	FAS-28699	3
	14	3/16" Pop Rivet	FAS-28992	12
	15	9" X 16" Glass Mirror	GRD-26379	1
	16	Mirror Tape 1" X 1/8" Thick	MSM-26380	2.5'
	17	Aluminum Bracket Short	HSG-26372	2
	18	Aluminum Bracket Long	HSG-26373	2
	19	Machine Screw 10 - 32 x 1/4"	FAS-25832	4
	20	2" x 12" Long Continuous Hinge	FAS-29557	1

Figure 0-4. Tank Assembly with E.V. Tank

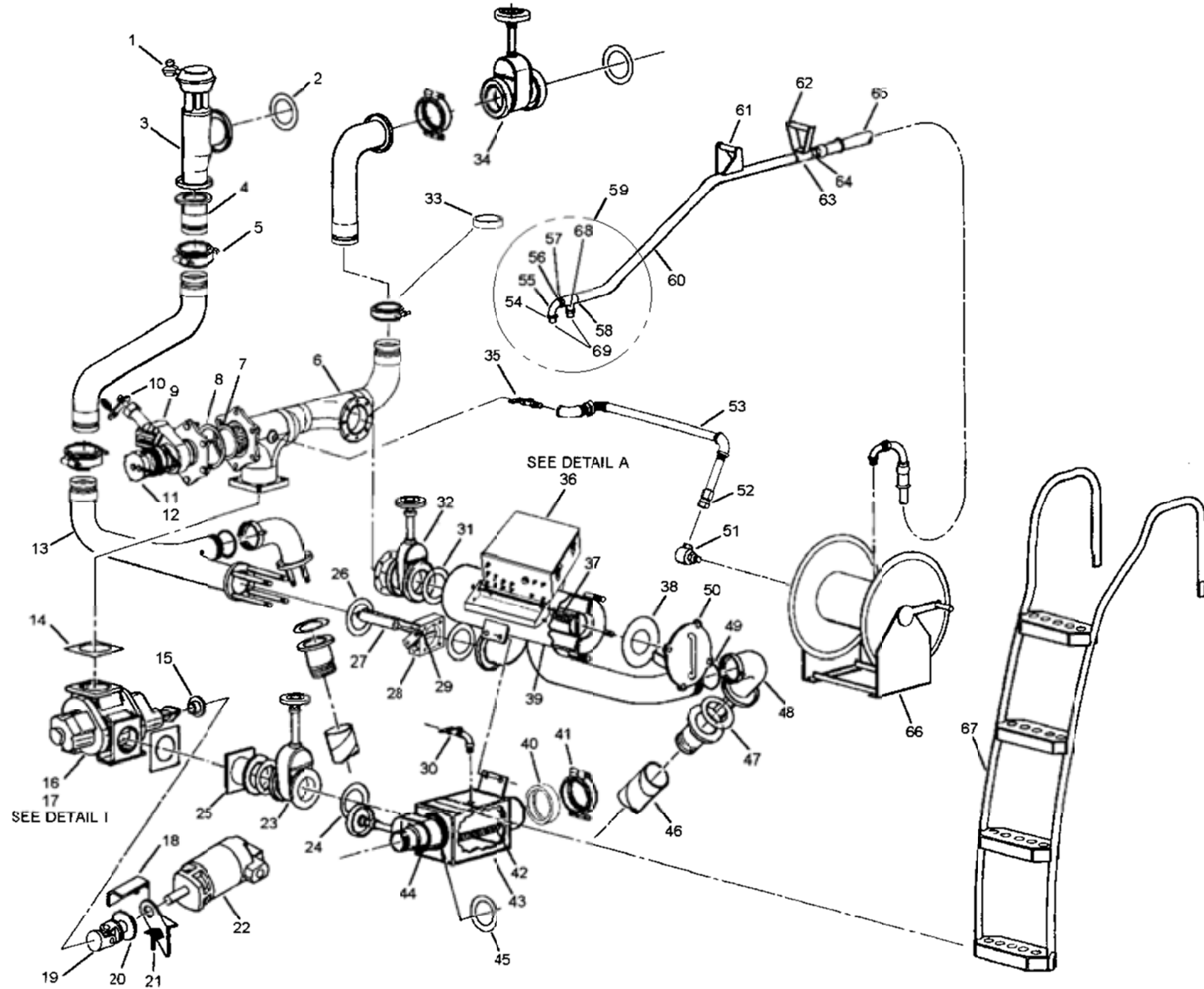




Model BC501/CRC

Fig	Item	Description	Part No.	Qty.	Fig	Item	Description	Part No.	Qty.
8-4		Tank Assembly with E.V. Tank		RF	42		E.V. Dump Line Patch	TNK-50532	1
	1	Cat Walk 24" Grip Strut	GRD-50477	1	43		Float Packing Gland Patch	TNK-50088	1
	2	Grip Strut Bracket	BRK-21251	6	44		Side Molding	MSC-21162	6
	3	Cat Walk Risers	BRK-26506	6	45		End Molding	HSG-21163	4
	4	Grip Strut Spacers	BRK-21250	6	46		Float Gauge Needle	MTR-21225	1
	5	Side Rivet Strip Dome Well	BRK-21431	2	47		Man Hole Step Assembly	GRD-49961	2
	6	End Rivet Strip Dome Well	BRK-21432	2	48		Calibration Plate Bracket	MTR-21286	2
	7	Inside End Rivet Strip Dome Well	BRK-21434	2	49		Spare		
	8	Soc. Hd. Screw 1/2 - 13 x 3 1/2"	FAS-25520	6	50		Aluminum Skin Material .040"	MSM-31204	
	9	Mounting Tab (Steel) False Head	BRK-21446	8	51		2" Wool Insulation	MSM-21343	
	10	Mounting Tab (Aluminum) False Head	BRK-21466	16	52		1/4" Nylon Tubing	PIP-22391	
	11	Rivet Rails	BRK-21430	3	53		3175-56-14	4CT-4MP	2
	12	Rivet Rail Risers	BRK-21447	18	54		1/4 Nylon Clamp	FAS-24515	12
	13	Grip Strut Support	BRK-50083	1	55		Tex Hex Screw 1/4" x 3/4" Long	FAS-25435	8
	14	Temp Gauge 24" 50 to 500°	MTR-25223	1	56		16 Gauge Black Wire	ELC-24304	
	15	Flue Liner – Burner Mount Assembly	HSG-92202	2	57		Tag, Caution, Shield in Place	MSM-80041	1
	16	Tank Valve Modified	VLV-27254	1	58		Safety Hazard Tag	MSM-80042	1
	17	Nut 5/8"	FAS-28548	4	59		Warning, Burner Operation Tag	MSM-80043	1
	18	Clip 5/8"	FAS-28549	4	60		Warning Tag Burner Use	DCL-26163	1
	19	Red Clearance Light	ELC-24208	2	61		Pencil Thermometer Assembly	MTR-49863	1
	20	Amber Clearance Light	ELC-24209	2	62		Spare		
	21	Marker Light Bracket	BRK-21531	4	63		Warning Tag	MSM-80044	1
	22	Red Round Reflectors	ELC-24214	4	64		Tank Valve Gasket	RNG-29067	1
	23	Amber Round Reflectors	ELC-24213	2	65		I.D. Tag	DCL-26186	1
	24	Front False Head (Aluminum)	MSC-50520	1	66		BearCat Decal	MSM-26188	2
	25	Rear False Head (Aluminum)	MSC-50521	1	67		CRC Decal	MSM-26195	2
	26	Patch 3" Pipe Single	TNK-22422		68		Sample Valve Caution Tag	MSM-50078	1
	27	Patch 3" Overflow Pipe	TNK-50529	1	69		Dome Well Patch	BRK-50534	2
	28	Patch 3" Pipe Double	TNK-50090	1	70		Man Hole Ext. Gusset	Brk-50535	4
	29	3" 8-Hole Flued Flange	FIT-29157	2	71		Burner Assembly Modified	PTM-24951	2
	30	E.V. Tank Assembly	TNK-21480	1	72		Catwalk Riser Doubler	BRK-50538	6
	31	E.V. Tank Mounting Bracket	BRK-21482	3	73		Caution Hot Surface Tag	MSM-80039	2
	32	Hose Trough/Steel	BRK-21276	1	74		Tex Hex Screw 3/8" x 1" Long	FAS-25438	12
	33	Hose Trough Bracket	BRK-23251A	3	75		Tag, Flush Solvent Tank	DCL-21479	1
	34	Thermometer Hsg. Patch Rear	TNK-50096	1	76		2" Cap W/Chain	FIT-26045	1
	35	Thermometer Hsg. Patch Side	TNK-50530	1	77		30lb Regulator Fixed	VLV-26203	1
	36	Bolster Patch	TNK-50531	6	78		Modified 1/4" Zerk	.250-18M-2	1
	37	Single Exhaust Patch	MSC-50094		79		1/4" Ball Valve	VLV-29195	1
	38	Dual Exhaust Patch	MSC-50095	1	80		Washdown Hose Assembly	MSC-26450	1
	39	Single Heat Tube Ring Flashing	TNK-50092		81		Tag, Flush Fuel Only	DCL-21478	1
	40	Dual Heat Tube Ring Flashing	TNK-50093	1	82		Cap W/Dipstick Assembly	FIT-26044	1
8-4	41	Tank Valve Ring Patch	TNK-50091	1					

Figure 0-5. Rear Assembly Plumbing





Model BC501/CRC

Fig	Item	Description	Part No.	Qty.	Fig	Item	Description	Part No.	Qty.
8-5		Rear Assembly Plumbing		RF	41		Victaulic Clamp 4"	FIT-29106	2
	1	Air Regulator 60" Fixed	VLV-26200	1	8-5	42	Suction Strainer Screen Assembly	FTR-27242	1
	2	3" 8-Hole Gasket	RNG-29060	5	43		Intake Strainer Assembly	HSG-27246	1
	3	By-pass Valve Assembly	VLV-27211	1	44		3" Modified Gate Valve	VLV-29294	1
	4	3" Victaulic Adapter	FIT-29180	1	45		Gasket Suction Strainer	RNG-29068	1
	5	Victaulic Clamp 3"	FIT-29104	4	46		Rubber Bar Feed Hose Assembly	MSC-27338	2
	6	Manifold Strainer Assembly	MSC-62120	1			Flex/Steel Bar Feed Hose Assembly	PIP-27326	2
	7	Screen Assembly	HSG-27248	1	47		2 1/2" 6-Hole Gasket	RNG-29055	4
	8	Gasket (5 3/4" O.D. X 4 3/4" I.D.)	RNG-29067	1	48		Bar Feed Hose Upper Elbow	MSC-27494	2
	9	3" Gate Valve Modified	VLV-29985	1	49		Bar Feed Hose O-Ring	RNG-26945	4
	10	Valve Handle Assembly	GRD-29273	1	50		Housing Cover	HSG-52176	1
	11	3" Cap & Chain Assembly	FIT-26039	2	51		Hose Reel Swivel	FIT-29800	1
	12	Gasket 3"	RNG-29056	2	52		Fitting 6506x12x12	12FJX-12FP	1
	13	Tee & Elbow Assembly	FIT-52124	1	53		Hose Reel Piping	FIT-52135	1
	14	Gasket 4" Square	RNG-29066	2	54		1/2" X 1/4" Aluminum Bushing	FIT-28203	1
	15	Companion Flange Pump	PTM-22272	1	55		1/2" 90° Aluminum Pipe 90	FIT-28201	1
	16	3648 Pump modified	PMP-33720	1	56		1/2" x 2 1/2" Aluminum Pipe Nipple	FIT-28202	1
	17	3648 Pump Un-modified (Packed)	PMP-33721	1	57		3/4" x 1/2" Aluminum Bushing	FIT-28218	1
	18	Cargo Pump Guard	GRD-27478	1	58		3/4" Aluminum Pipe Tee	FIT-28200	1
	19	Drive Line Assembly	PTM-26314	1	59		Handwand Spray Tip Assembly	MSC-27273	1
	20	50-Tooth Gear Assembly	PTM-26320	1	60		Handwand Assembly	MSC-27279	1
	21	Gear Tooth Sensor	ELC-26148	1	61		Wooden Handle	GRD-27284	1
	22	39 Series Eaton Motor	PMP-22239	1	62		Handwand Valve Handle	GRD-27080	1
	23	4" Gate Valve Flange/Flange	VLV-29302	1	63		3/4" Ball Valve S/S	VLV-29229	1
	24	4" 8-Hole Gasket	RNG-29065	2	64		3/4" Swivel	FIT-29940	1
	25	Pump Intake Assembly	MSC-27526	1	65		Handwand Hose Assembly	MSC-26478	1
	26	Gasket 3" 4-Hole	RNG-29061	2	66		Hose Reel Assembly	BRK-27350	1
	27	Large Butterfly Cylinder	CYL-27321	1	67		Ladder Assembly	BRK-52115	1
	28	4" Butterfly Valve Assembly	VLV-27450	1	68		3/4" x 1/4" Aluminum Bushing	FIT-28217	1
	29	Cylinder Connector	MCH-26585	1	69		Nozzle, #4 .250 Pipe	FIT-27194	2
	30	3/4" Ball Valve	VLV-29227	1					
	31	3" 8-Hole Gasket	RNG-29060	2					
	32	3" Gate Valve Flange/Flange	VLV-29292	1					
	33	Coupling Gasket Buna-N 3"	RNG-29111	4					
	34	3" Gate Valve Flange/Groove	VLV-29289	1					
	35	3/4" Ball Valve	VLV-29227	1					
	36	Rear Control Box Assembly	ELC-52117	1					
	37	Strainer Fine Screen Assembly	FTR-52165	1					
	38	Teflon Gasket Y-Strainer	RNG-52179	1					
	39	Fine Y-Strainer Assembly	HSG-52167	1					
	40	Coupling Gasket Buna-N 4"	RNG-29113	2					

Figure 0-6. Rear Assembly Frame

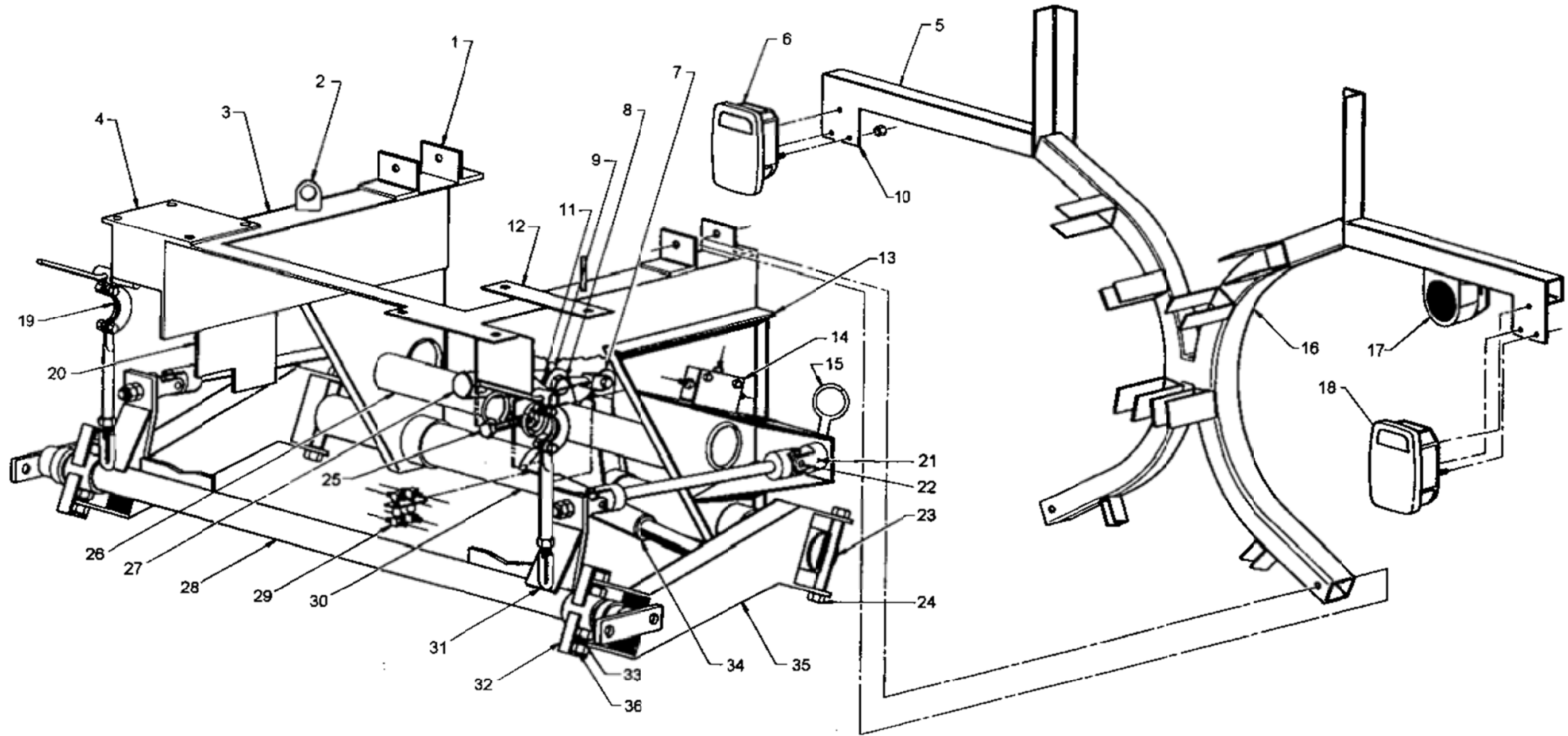




Fig	Item	Description	Part No.	Qty.
8-6		Rear Assembly Frame		RF
	1	Angle Bracket	BRK-52061	4
	2	Lifting Bail Eye	BRK-26443	2
	3	Hanger Rail	BRK-52011	2
	4	Cargo Pump Plate	BRK-27475	1
	5	Support Tail Light	BRK-24198	2
	6	Tail Light Left Hand	ELC-24206	1
	7	Lift Hanger	MCH-52041	1
	8	Hex Bolt GR5 3/4 -16 – 1 1/4"	FAS-28941	2
	9	Lift Cylinder Bracket	BRK-52045	2
	10	Tail Light Mount Bracket	BRK-24197	2
	11	Pivot Spacer	BRK-52023	2
	12	Hose Reel Bracket	BRK-52062	2
	13	Hanger Support Right Hand & Left Hand	BRK-52038	2
	14	Valve Lockout	VLV-22319	3
	15	Hose Ring 3"	RNG-26420	4
	16	Control Box Stand Assembly	BRK-52032	1
	17	Backup Alarm	ELC-24293	1
	18	Tail Light Right Hand	ELC-24207	1
	19	Right Hand & Left Hand Latch Assembly	GRD-52055	2
	20	Bracket, Lift Upstop	BRK-52017	2
	21	Bar Hanger Lift Control Arm	BRK-26368	2
	22	U-Joint 5-170X	PTM-22285	4
	23	Bar Hanger Pivot	FIT-52009	2
	24	Hex Bolt 3/4" – 10 x 8" Gr. 8	FAS-28964	2
	25	Stop Bolt	BRK-52047	1
	26	Crosstie, Lift Hanger, Assembly	BRK-52044	1
	27	Lift Cylinder Assembly	CYL-52040A	1
	28	Bar Hanger Pivot Assembly	MCH-52043	1
	29	Air Manifold Assembly	MSC-26435	1
	30	Hanger Pipe 3"	BRK-52018	1
	31	Stiffner Bar Right Hand & Left Hand	BRK-52076	2
	32	Bar Hanger Shoulder Screw Captivator	BRK-26426	4
	33	Pivot Spacer	BRK-52023	4
	34	Swing Cylinder	CYL-22300	1
	35	Swing-Arm Spraybar Assembly	MCH-52036	2
	36	Hex Bolt 3/4" 10 x 1 1/4" Gr. 5	FAS-28791	4

Figure 0-7. Hydrostatic System

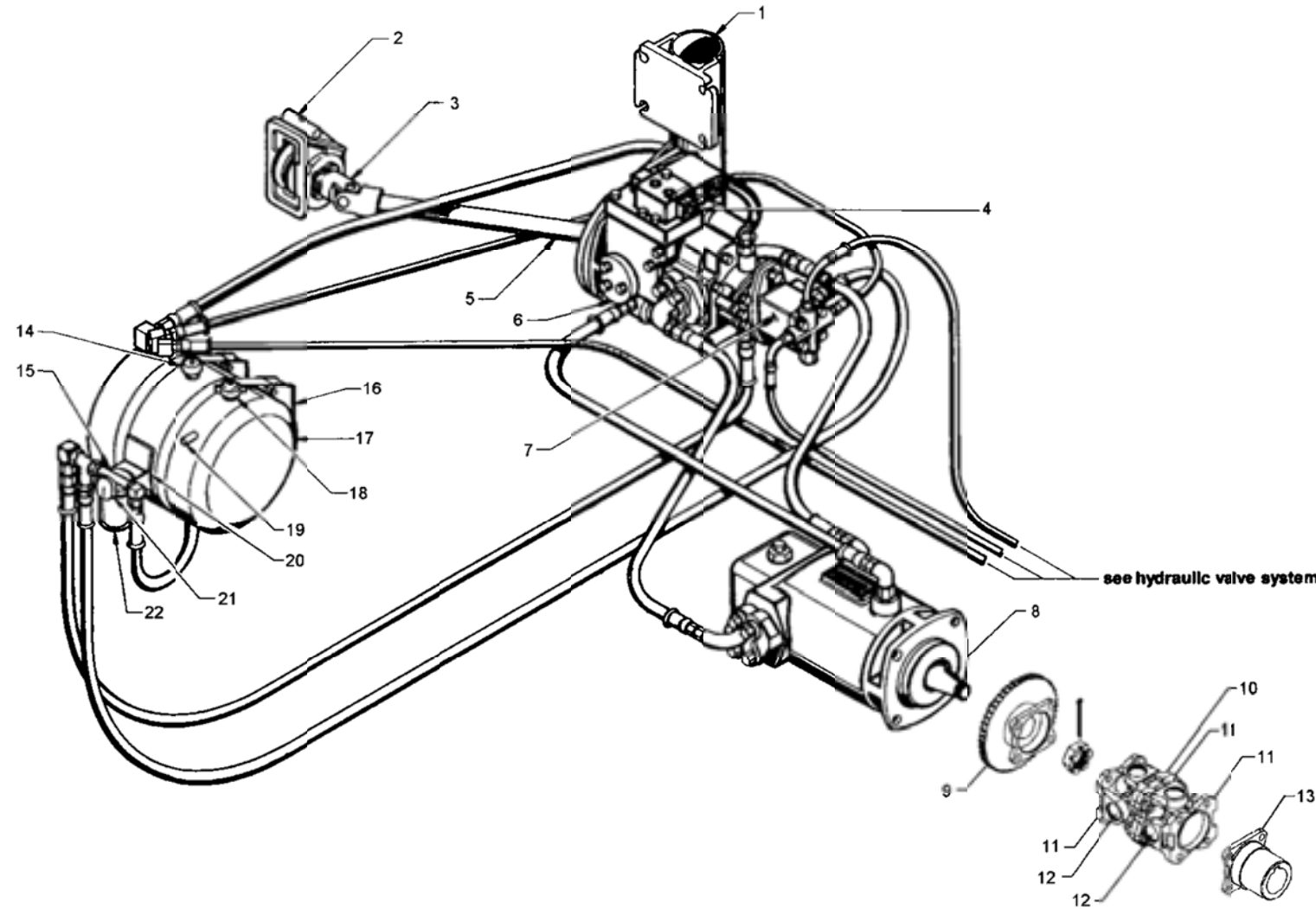


Fig	Item	Description	Part No.	Qty.
8-7		Hydrostatic System		RF
	1	Mount Assembly, Hydraulic Pump	BRK-26548	1
	2	PTO		1
	3	Yoke End 2-4-533	PTM-22261	1
	4	Valve EDC Controller	VLV-29330	1
	5	Drive-line Assembly	PTM-27213	1
	6	Pump, Hydraulic Eaton 39 Series	PMP-22212	1
	7	Pump, Hydraulic Auxiliary	PMP-22200	1
	8	Motor, Hydraulic Eaton 39 Series	PMP-22239	1
	9	Gear Assembly 50 Teeth	PTM-26320	1
	10	Flange Yoke 2-2-389	PTM-22257	1
	11	Flange Yoke 2-2-329	PTM-22251	3
	12	U-Joint 5-153X	PTM-22288	2
	13	Companion Flange 2-1-323	PTM-22272	1
	14	Breather Vent	FTR-22527	1
	15	Filter Base	FTR-22503	1
	16	Hydraulic Tank Hanger and Strap	BRK-26360	1
	17	Hydraulic Tank 15 Gallon 20" x 11"	TNK-22419	1
	18	Plug 2" Rubber	FIT-26035	1
	19	Sight Gauge	MTR-80270	1
	20	Bracket, Filter Base	BRK-22549	1
	21	Vacuum Gage	MTR-22499	1
	22	Hydraulic Filter Zinga	FTR-22502	1

Figure 0-8. Truck Chassis

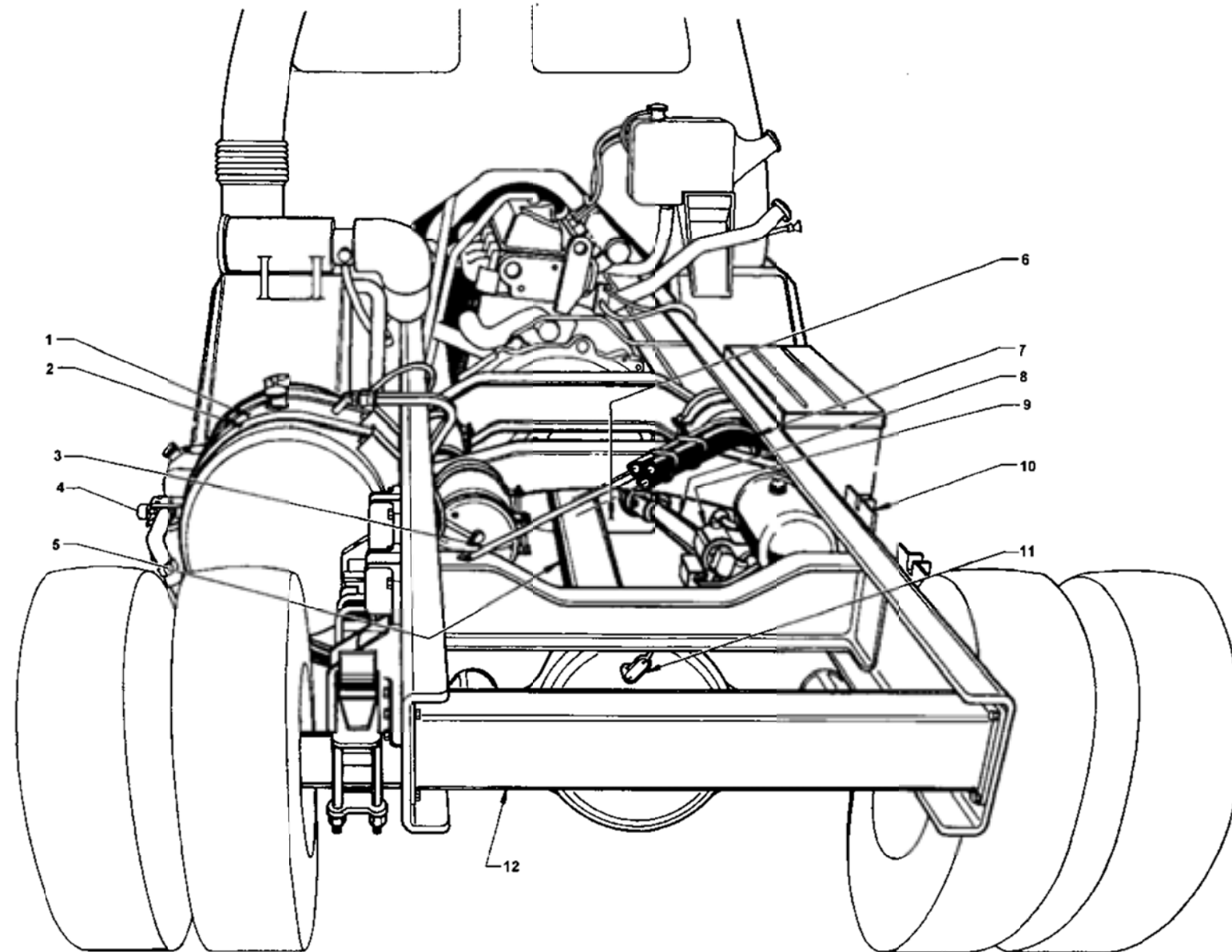


Fig	Item	Description	Part No.	Qty.
8-8		Truck Chassis		RF
	1	20" x 11" Hydraulic Tank	TNK-22419	1
	2	Hydraulic Tank Hanger & Strap	BRK-26360	1
	3	Hose Tie Rail		1
	4	Hydraulic Vacuum Gauge	MTR-22499	1
	5	Truck Drive Line		
	6	Truck Transmission		
	7	Pump to Motor Hydraulic Hoses		3
	8	Drive Line PTO to Hydraulic Pump	PTM-27213	1
	9	39 Series Eaton Hydrostatic Pump	PMP-22212	1
	10	Tank Mount	BRK-26636	4
	11	GPM-FPM Sensor Assembly	ELC-26148	1
	12	Rear Cross Member Tube Assembly	FIT-20199	1

Figure 0-9. 3648 Pump Assembly Packed

Fig	Item	Description	Part No.	Qty.
8-9		3648 Pump Assembly Packed	PMP-33721	RF
	1	Screw Rd. Hd. Drive Type TU #2 x .25	FAS-33704	6
	2	Plate, BearCat Pump I.D.	FAS-28762	1
	3	Hex Bolt 1/2" - 13 x 1 1/2"	RNG-29993	11
	4	Gasket, Paper 3648	FAS-33655	2
	5	Dowell Pin 1/2" x 1"	FAS-28751A	4
	6	Hex Bolt 7/16" - 14 x 9 1/2" Gr. 8	FIT-24243	2
	7	Freeze Plug 1 3/4"	FIT-26662	3
	8	Bushing, Long 3648	PTM-33707	3
	9	Shaft, Idler	PTM-33711	1
	10	Key, 1/4" x 1 1/2"	PTM-33709	3
	11	Shaft, Drive 3648 Unmodified	MSM-33710	1
	12	Warning Tag	HSG-33700	1
	13	Housing 3648	PTM-33712	1
	14	Gear 3648 Left Hand	PTM-33713	1
	15	Gear 3648 Right Hand	PTM-26663	1
	16	Bushing, Short 3648	HSG-33701	1
	17	Plate, Drive End	FAS-28635	1
	18	Washer Flat 7/16"	FAS-28539	4
	19	Nut, Stover Lock 7/16" - 14	FAS-33729	2
	20	Washer, Packing	RNG-33728	1
	21	Packing Set 3648	HSG-33726	1
	22	Gland, 3648 Packing Gland	FAS-33728	1
	23	Clip, Packing gland Retainer	FAS-28833	2
	24	Stud, 1/2" - 13 x 4"	FAS-28540	2
	25	Nut, Stover Lock 1/2" - 13	FAS-28919	2
	26	Hex Bolt 1/2" - 13 x 6"	FAS-33719	2
	27	Adjuster Screw	FAS-33718	1
	28	Adjuster Lock Nut	RNG-29999	1
	29	O'Ring 1/8 I.D. x 7/16" O.D.	HSG-33717	1
	30	Adjuster Cap	RNG-26940	1
	31	O'Ring 3 1/2" I.D. x 3 3/4" O.D. x 1/8"	HSG-33722	1
	32	Relief Poppet Outer	MSC-33716	1
	33	Inner Spring	MSC-33715	1
	34	Outer Spring	HSG-33714	1
	35	Relief Poppet Inner	MSM-33706	1

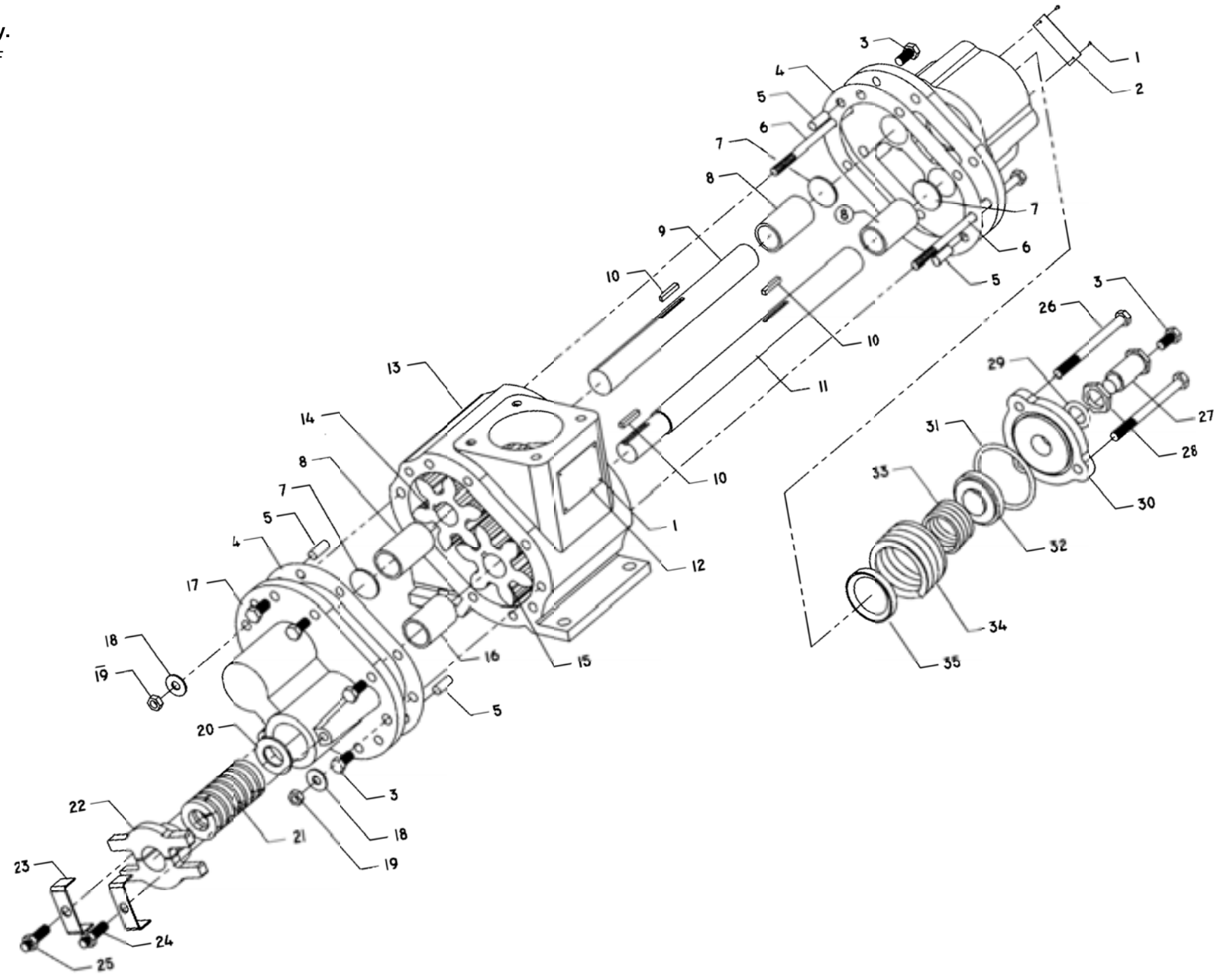


Figure 8-9A. 3648 Pump Assembly Modified

Fig	Item	Description	Part No.	Qty.
8-9A		3648 Pump Assembly Modified	PMP-33720	RF
	1	Screw Rd. Hd. Drive Type TU #2 x .25	FAS-33704	6
	2	Plate, BearCat Pump I.D.	MSM-33706	1
	3	Hex Bolt 1/2" - 13 x 1 1/2"	FAS-28762	11
	4	Gasket, Paper 3648	RNG-29993	2
	5	Dowell Pin 1/2" x 1"	FAS-33655	4
	6	Hex Bolt 7/16 - 14 x 9 1/2" Gr. 8	FAS-28751A	2
	7	Freeze Plug 1 3/4"	FIT-24243	3
	8	Bushing Long 3648	FIT-26662	3
	9	Shaft, Idler	PTM-33707	1
	10	Key, 1/4" x 1 1/2"	PTM-33711	3
	11	Shaft, Drive, 3648 Modified	PTM-33708	1
	12	Warning Tag	MSM-33710	1
	13	Housing 3648	HSG-33700	1
	14	Gear 3648 Left Hand	PTM-33712	1
	15	Gear 3648 Right Hand	PTM-33713	1
	16	Plate, Drive End	HSG-33701	1
	17	Washer Flat 7/16"	FAS-28635	4
	18	Nut, Stover Lock 7/16 - 14	FAS-28539	2
	19	Bearing, McGill MI 20	PTM-26272	1
	20	Bearing, McGill MR 24	PTM-26270	1
	21	O'Ring .094" I.D. X 2.250" O.D.	RNG-26934	1
	22	Housing, 3648 Modified Pump (Brg. And Seal)	HSG-27544	1
	23	Flange, Modified 3648 Pump Flange	FIT-27543	1
	24	Seal, 3648 Pump Shaft Seal (Fl. Carbon)	RNG-27233	1
	25	Soc. Hd. Screw 1/2" - 13 x 1 3/4"	FAS-25515	2
	26	Retainer 3648 Modified Shaft	BRK-27548	1
	27	Seal, 3648 Pump Dust Seal	RNG-27238	1
	28	Soc. Hd. Screw 1/4" - 20 x 1 1/2"	FAS-25463	3
	29	Hex Bolt 1/2" - 13 x 6"	FAS-28919	2
	30	Adjuster Screw	FAS-33719	1
	31	Adjuster Lock Nut	FAS-33718	1
	32	O'Ring 1/8" I.D. x 7/16" O.D.	RNG-29999	1
	33	Adjuster Cap	HSG-33717	1
	34	O'Ring 3 1/2" I.D. x 3 3/4" O.D. x 1/8"	RNG-26940	1
	35	Relief Poppet Outer	HSG-33722	1
	36	Inner Spring	MSC-33716	1
	37	Outer Spring	MSC-33715	1
	38	Relief Poppet Inner	HSG-33714	1

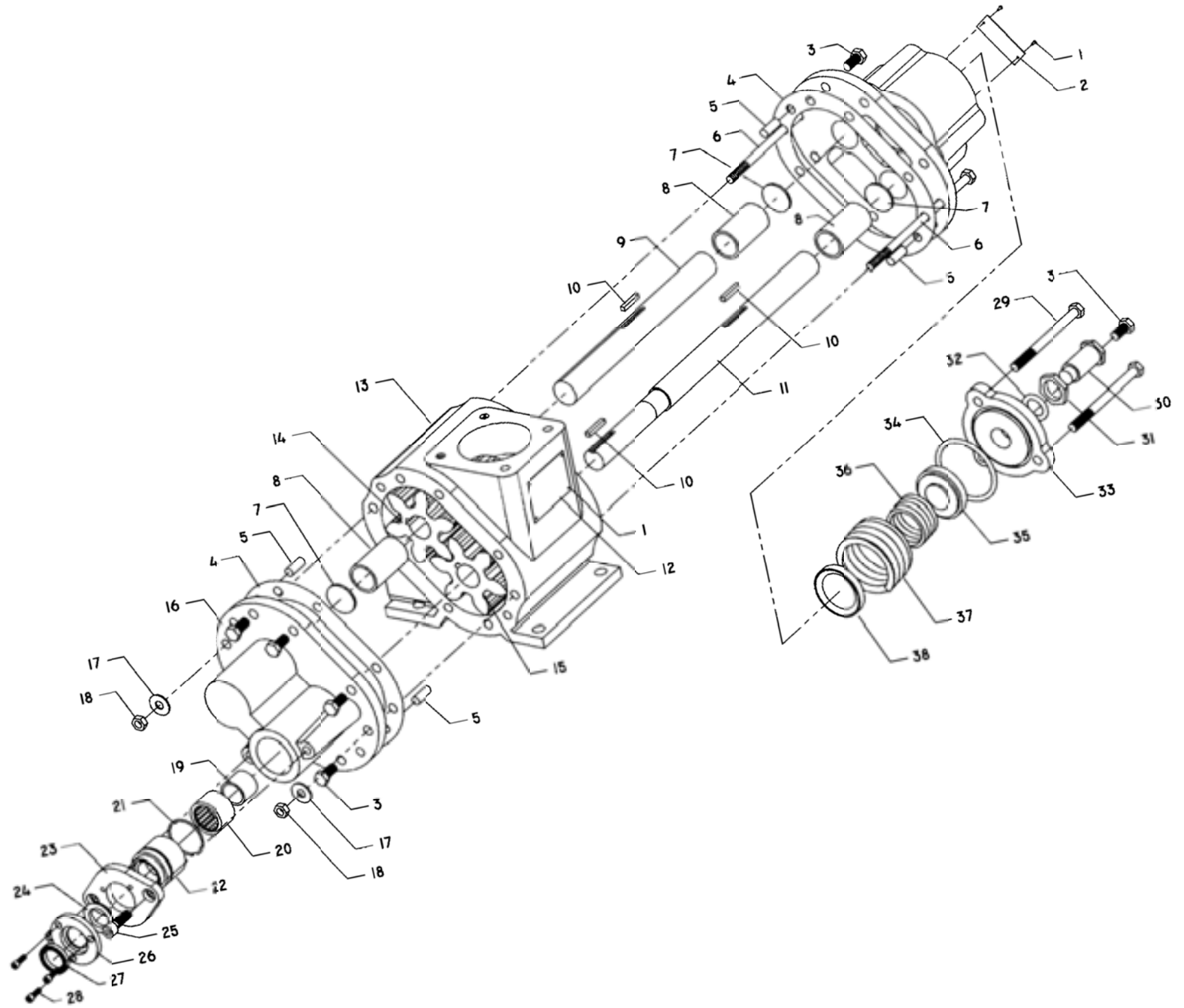
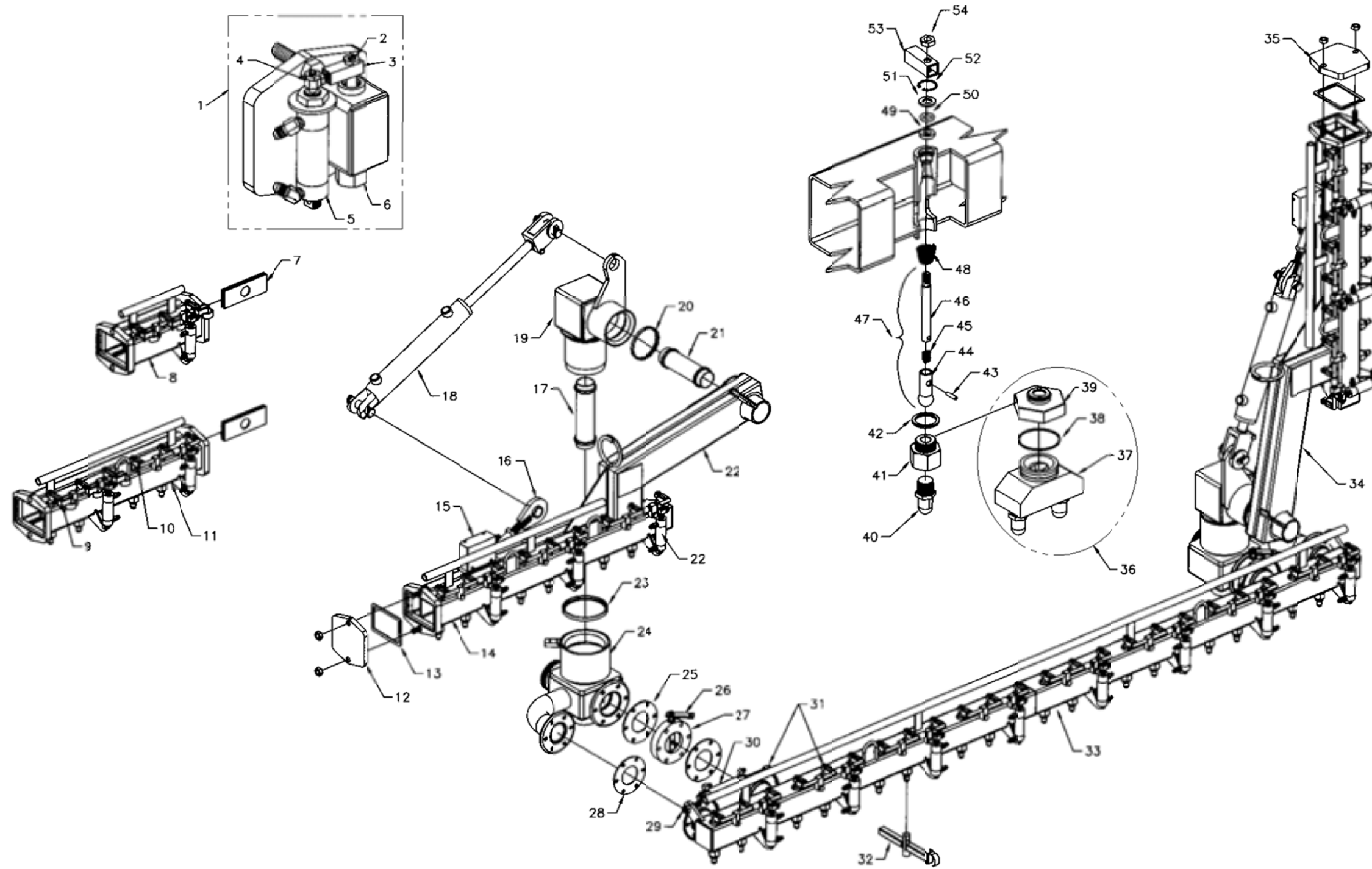


Figure 0-10. Single Fold Spray Bar Complete

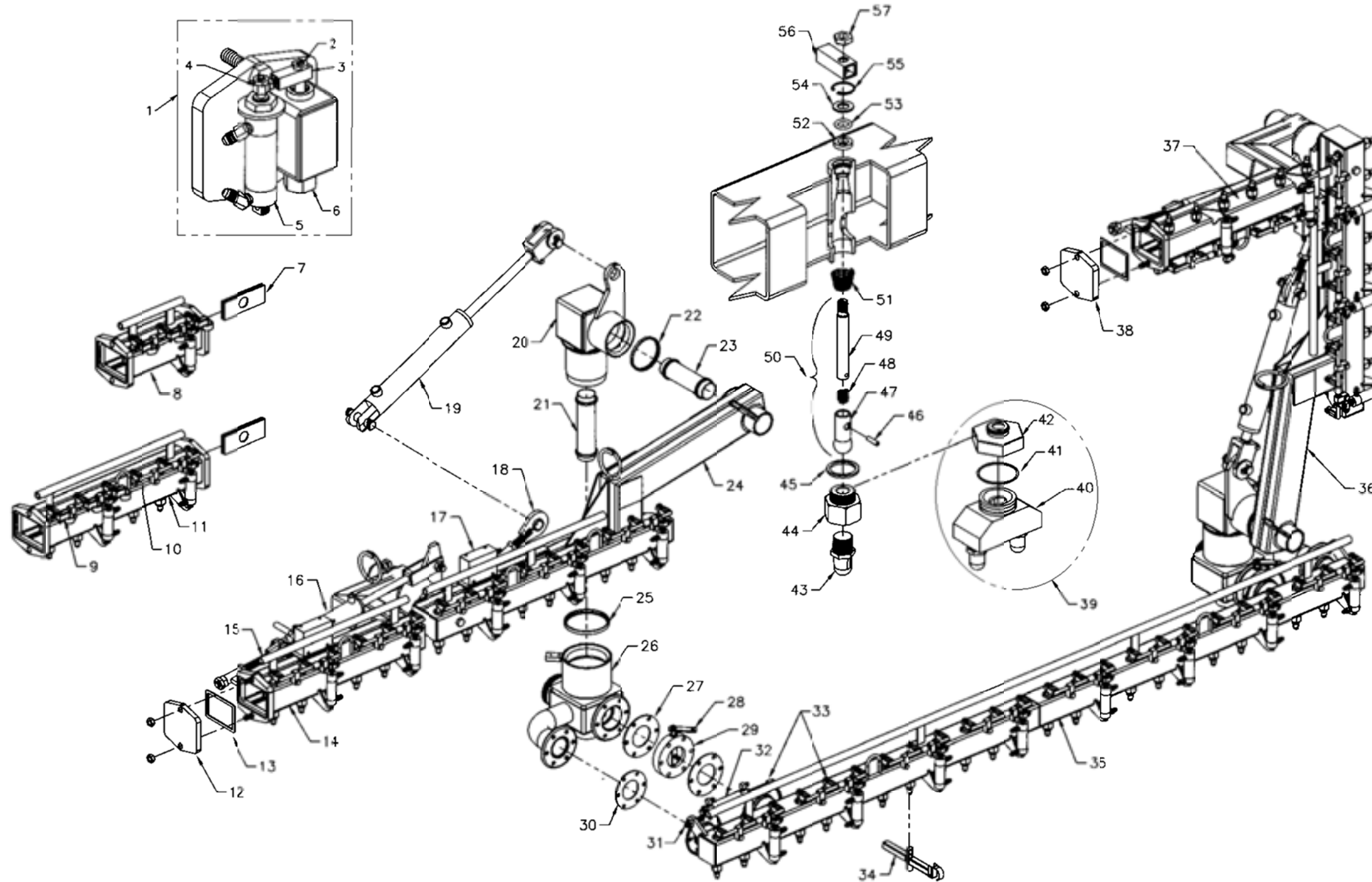




Model BC501/CRC

Fig	Item	Description	Part No.	Qty.	Fig	Item	Description	Part No.	Qty.
8-10		Single Fold Spray Bar Complete		RF			Right Hand 4ft. Wing Assembly	HSG-28047	1
	1	Right Hand and Left Hand Marker Assembly	VLV-27518	2	8-10	35	Female Flange Spray Bar Cap	HSG-27291	1
	2	Jam Nut 5/16 – 24	FAS-28573	2		36	Manifold 3/8" Twin #2 Nozzle Assembly	MSM-27193	AR
	3	Marker Valve Lifter	MCH-27375	2			Manifold 3/8" Twin #3 Nozzle Assembly	MSM-27195	AR
	4	Cylinder Connector	BRK-27235	AR		37	Manifold 3/8" Twin Nozzle Manifold	MSM-27192	1
	5	Spray Bar Cylinder	CYL-27318	AR		38	O'Ring 1 1/2" O.D. x 1 3/8" I.D. x .062 Viton	RNG-27240	1
	6	Valve Nozzle Bushing 3/8"	FIT-27372	2		39	Bushing Double Nozzle Manifold	FIT-27199	1
	7	Divider Plate	BRK-27625	4		40	Nozzle #1 3/8" NPTX 3/8" Bore	FIT-27200	42
	8	1ft Extension Assembly	MCH-27825	1			Nozzle #2 3/8" NPTX 3/8" Bore	FIT-27196	42
	9	3 Valve Finger Linkage	MCH-26398	AR			Nozzle #3 3/8" NPTX 3/8" Bore	FIT-27197	42
	10	3 Valve Plain Linkage	MCH-26397	AR			Nozzle #4 3/8" NPTX 3/8" Bore	FIT-27198	42
	11	2ft. Extension Assembly	MCH-27835	AR		41	Valve Nozzle Bushing 3/8"	FIT-27372	42
	12	Male Flange Spray Bar Cap	HSG-27292	AR		42	Aluminum Valve Bushing Washer	FAS-27373	42
	13	Bar Flange Gasket	RNG-29073	2		43	Roll Pin Stainless Steel	FAS-27359	42
	14	Left Hand 2ft. Wing Assembly	MCH-27972	1		44	.563 Ball Valve Assembly	MCH-27364	42
		Left Hand 3ft. Wing Assembly	HSG-28044	1		45	Poppet Spring	FAS-27356	42
		Left Hand 4ft. Wing Assembly	HSG-28046	1		46	Valve Stem Stainless Steel Spray Bar	MSM-27416	42
	15	Box Limit Switch (2-Hole)	HSG-24239	2		47	Bar Stem Poppet Assembly	MCH-27414	42
		Switch Limit Switch Assembly	ELC-26549	2		48	Spring Conical Shape Valve Stem	FAS-27418	42
	16	Wing Lift Bolt Assembly	FAS-26376	2		49	Bar Stem Seal	RNG-27232	42
	17	Bottom Internal Tube	HSG-27383	2		50	Bar Stem O'Ring Viton 2-110	RNG-26927	42
	18	Cylinder, Single Fold Wing Lift	CYL-22300	2		51	Washer S/S Bar Stem	FAS-27362	42
	19	Upper Swing Joint Assembly	HSG-27575	2		52	Nozzle Snap Ring	RNG-27363	42
	20	Upper Swing Joint Seal	RNG-27230	2		53	Valve Stem Lifter	MCH-26587	42
	21	Top Internal Tube	HSG-27384	2		54	Jam Nut 5/16 – 24	FAS-28573	42
	22	Spray Bar Cylinder	CYL-27318	14					
	23	Lower Swing Joint Seal	RNG-27231	2					
	24	Lower Swing Joint Assembly	MCH-27570	2					
	25	Gasket 2 1/2" 6-Hole	RNG-29055	4					
	26	2 1/2" Butterfly Valve Lever	BRK-27277	2					
	27	2 1/2" Butterfly Valve Assembly	VLV-27483	2					
	28	Gasket 2" 6-Hole	RNG-29050	2					
	29	Adjustment Bolt 2 1/2" Butterfly Valve	BRK-27485	2					
	30	Equalizer Air Cylinder	CYL-27316	2					
	31	Cylinder Connector Spray Bar	BRK-27330	16					
	32	11/16" Nozzle Wrench	MSC-27176	1					
		9/16" Nozzle Wrench	MSC-27182						
		5/8" Nozzle Wrench	MSC-27183						
	33	8ft. Main Bar Assembly	MCH-27725	1					
	34	Right Hand 2ft. Wing Assembly	MCH-27973	1					
		Right Hand 3ft. Wing Assembly	HSG-28045	1					

Figure 8-10A. Double Fold Spray Bar Complete





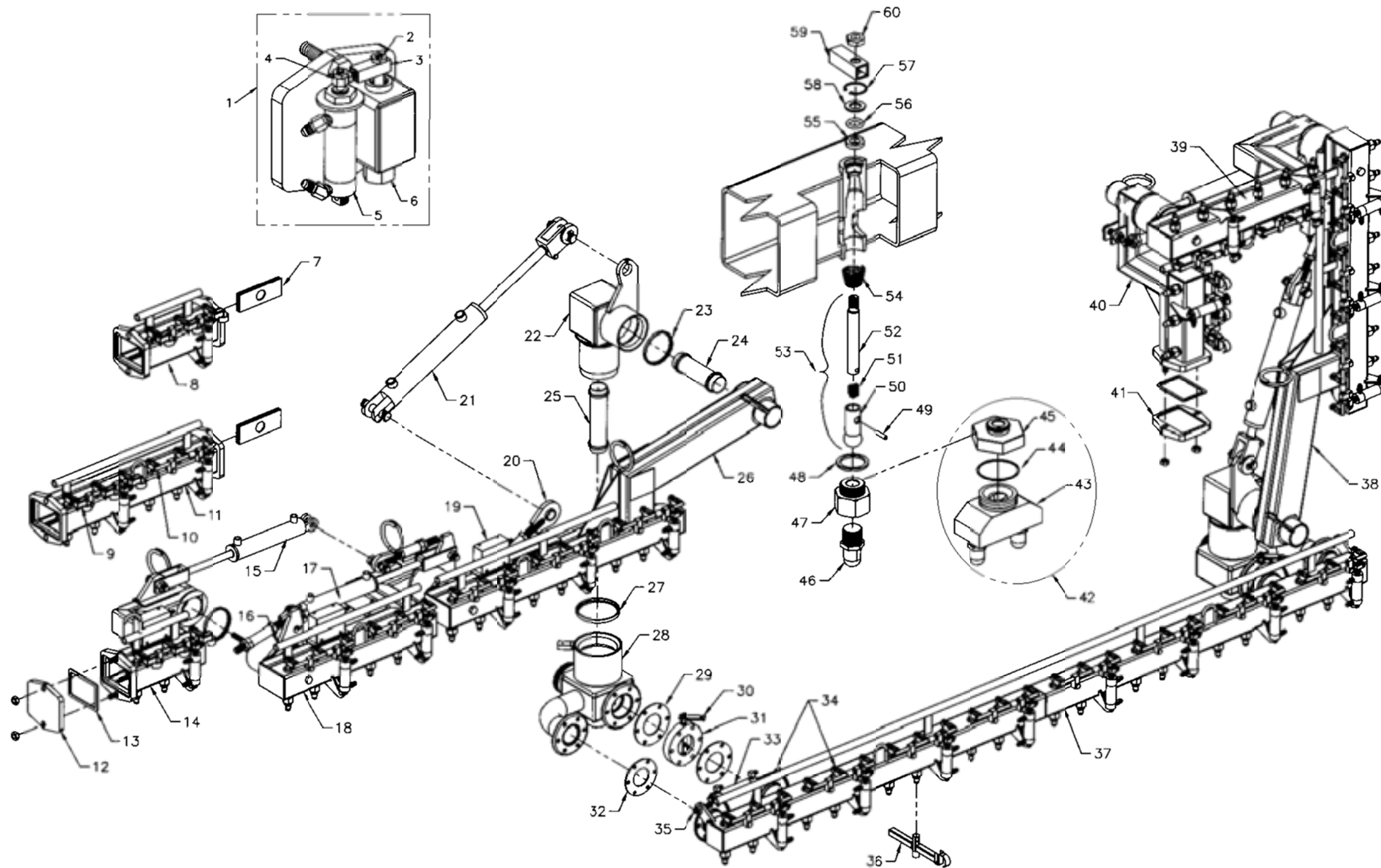
Model BC501/CRC

Fig	Item	Description	Part No.	Qty.	Fig	Item	Description	Part No.	Qty.
8-10A		Double Fold Spray Bar Complete		RF	8-10A		Left Hand 4Ft. Inner Wing Assembly (Heavy Swing Joint)	HSG-28058	1
	1	Right and Left Line marker Assembly	VLV-27518	2		25	Lower Swing Joint Seal	RNG-27231	2
	2	Jam Nut 5/16 – 24	FAS-28573	2			Lower Swing Joint Seal (Over-Sized) Wings Over 5Ft.	RNG-27244	2
	3	Marker Valve Lifter	MCH-27375	2		26	Lower Swing Joint Assembly	MCH-27570	2
	4	Cylinder Connector	BRK-27235	AR			Lower Swing Joint Assembly (Over-Sized) Wings Over 5Ft.	MCH-27571	2
	5	Spray Bar Cylinder	CYL-27318	AR		27	Gasket 2 1/2" 6-Hole	RNG-29055	4
	6	Valve Nozzle Bushing 3/8"	FIT-27372	2		28	2 1/2" Butterfly Valve Lever	BRK-27277	2
	7	Divider Plate	BRK-27625	4		29	2 1/2" Butterfly Valve Assembly	VLV-27483	2
	8	1Ft. Extension Assembly	MCH-27825	1		30	Gasket 2" 6-Hole	RNG-29050	2
	9	3 Valve Finger Linkage	MCH-26398	AR		31	Adjustment Bolt 2 1/2" Butterfly Valve	BRK-27485	2
	10	3 Valve Plain Linkage	MCH-26397	AR		32	Equalizer Air Cylinder	CYL-27316	2
	11	2Ft. Extension Assembly	MCH-27835	1		33	Cylinder Connector Spray Bar	BRK-27330	20
	12	Male Flange Spray Bar Cap	HSG-27292	1		34	11/16" Nozzle Wrench	MSC-27176	1
	13	Bar Flange Gasket	RNG-29073	2			9/16" Nozzle Wrench	MSC-27182	
	14	Left Hand 2Ft. Outer Wing Assembly Double Fold	MCH-27962	1			5/8" Nozzle Wrench	MSC-27183	
		Left Hand 3Ft. Outer Wing Assembly Double Fold	HSG-28060	1		35	8Ft. Main Bar Assembly	MCH-27725	1
		Left Hand 4Ft. Outer Wing Assembly Double Fold	HSG-28062	1		36	Right Hand 2Ft. Inner Wing Assembly	MCH-27963	1
	15	Wing Lift Bolt Assembly	FAS-26376	2			Right Hand 3Ft. Inner Wing Assembly	HSG-28051	1
	16	Cylinder Double Fold Wing Lift	CYL-22028	2			Right Hand 4Ft. Inner Wing Assembly	HSG-28053	1
	17	Box Limit Switch (2-Hole)	HSG-24239	4			If Wings Are Over 5Ft. in Length Use Inner Wings Listed Below		
		Switch Limit Switch Assembly (Teflon)	ELC-26549	4			Right Hand 2Ft. Inner Wing Assembly (Heavy Swing Joint)	HSG-28055	1
	18	Wing Lift Bolt Assembly	FAS-26376	2			Right Hand 3Ft. Inner Wing Assembly (Heavy Swing Joint)	HSG-28057	1
		Wing Lift Bolt Assembly –Heavy Duty Cylinder Wings over 5Ft.	FAS-26372	2			Right Hand 4Ft. Inner Wing Assembly (Heavy Swing Joint)	HSG-28059	1
	19	Cylinder, Single Fold Wing Lift	CYL-22300	2		37	Right Hand 2Ft. Outer Wing Assembly Double Fold	MCH-27964	1
		Cylinder Heavy Duty Wing Lift 2" x 10" Wings Over 5Ft.	CYL-22302	2			Right Hand 3Ft. Outer Wing Assembly Double Fold	HSG-28061	1
	20	Upper Swing Joint Assembly	HSG-27575	2			Right Hand 4Ft. Outer Wing Assembly Double Fold	HSG-28063	1
		Upper Swing Joint Assembly (Over-Sized) Wings Over 5Ft.	HSG-27576	2		38	Female Flange Spray Bar Cap	HSG-27291	1
	21	Bottom Internal Tube	HSG-27383	2		39	Manifold 3/8" Twin #2 Nozzle Assembly	MSM-27193	AR
	22	Upper Swing Joint Seal	RNG-27230	2			Manifold 3/8" Twin #3 Nozzle Assembly	MSM-27195	AR
		Upper Swing Joint Seal (Over-Sized) Wings Over 5Ft.	RNG-27231	2		40	Manifold 3/8" Twin Nozzle Manifold	MSM-27192	1
	23	Top Internal Tube	HSG-27384	2		41	O'Ring 1 1/2" O.D. x 1 3/8" SDY .062 Vition	RNG-27240	1
	24	Left Hand 2Ft. Inner Wing Assembly	MCH-27961	1		42	Bushing Double Nozzle Manifold	FIT-27199	1
		Left Hand 3Ft. Inner Wing Assembly	HSG-28050	1		43	Nozzle #1 3/8" NPT x 3/8" Bore	FIT-27200	54
		Left Hand 4Ft. Inner Wing Assembly	HSG-28052	1			Nozzle #2 3/8" NPT x 3/8" Bore	FIT-27196	54
		If Wings Are Over 5Ft. in Length Use Inner Wings Listed Below					Nozzle #3 3/8" NPT x 3/8" Bore	FIT-27197	54
		Left Hand 2Ft. Inner Wing Assembly (Heavy Swing Joint)	HSG-28054	1			Nozzle #4 3/8" NPT x 3/8" Bore	FIT-27198	54
		Left Hand 3Ft. Inner Wing Assembly (Heavy Swing Joint)	HSG-28056	1					



Fig	Item	Description	Part No.	Qty.
	44	Valve Nozzle Bushing 3/8"	FIT-27372	54
8-10A	45	Aluminum Valve Bushing Washer	FAS-27373	54
	46	Roll Pin Stainless Steel	FAS-27359	54
	47	.564 Ball Valve Assembly	MCH-27364	54
	48	Poppet Spring	FAS-27356	54
	49	Valve Stem Stainless Steel Spray Bar	MSM-27416	54
	50	Bar Stem Poppet Assembly	MCH-27414	54
	51	Spring Comical Shaped Valve Stem	FAS-27418	54
	52	Bar Stem Seal	RNG-27232	54
	53	Bar Stem O'Ring Viton 2-110	RNG-26927	54
	54	Washer Stainless Steel Bar Stem	FAS-27362	54
	55	Nozzle Snap Ring	RNG-27363	54
	56	Valve Stem Lifter	MCH-26587	54
	57	Jam Nut 5/16 – 24	FAS-28573	54

Figure 8-10B. Triple Fold Spray Bar Complete





Model BC501/CRC

Fig	Item	Description	Part No.	Qty.	Fig	Item	Description	Part No.	Qty.
8-10B		Triple Fold Spray Bar Complete		RF	34		Cylinder Connector Spray Bar	BRK-27330	22
	1	Right Hand and Left Hand Marker Assembly	VLV-27518	2	8-10B	35	Adjustment Bolt 2 1/2" Butterfly Valve	BRK-27485	2
	2	Jam Nut 5/16 – 24	FAS-28573	2	36		11/16" Nozzle Wrench	MSC-27176	1
	3	Marker Valve Lifter	MCH-27375	2			9/16" Nozzle Wrench	MSC-27182	
	4	Cylinder Connector	BRK-27235	AR			5/8" Nozzle Wrench	MSC-27183	
	5	Spray Bar Cylinder	CYL-27318	AR	37		8Ft. Main Bar Assembly	MCH-27725	1
	6	Valve Nozzle Bushing 3/8"	FIT-27372	2	38		Right Hand 2Ft. Inner Wing Assembly Heavy Swing Joint	HSG-28055	1
	7	Divider Plate	BRK-27625	4			Right Hand 3Ft. Inner Wing Assembly Heavy Swing Joint	HSG-28057	1
	8	1Ft. Extension Assembly	MCH-27825	1			Right Hand 4Ft. Inner Wing Assembly Heavy Swing Joint	HSG-28059	1
	9	3 Valve Finger Linkage	MCH-26398	AR	39		Right Hand 1Ft. Mid Wing Assembly Triple Fold	HSG-28073	1
	10	3 Valve Plain Linkage	MCH-26397	10			Right Hand 2Ft. Mid Wing Assembly Triple Fold	HSG-28075	1
	11	2Ft. Extension Assembly	MCH-27835	1			Right Hand 3Ft. Mid Wing Assembly Triple Fold	HSG-28077	1
	12	Male Flange Spray Bar Cap	HSG-27292	1	40		Right Hand 1Ft. Outer Wing Assembly Triple Fold	HSG-28065	1
	13	Bar Flange Gasket	RNG-29073	2			Right Hand 2Ft. Outer Wing Assembly Triple Fold	HSG-28067	1
	14	Left Hand 1Ft. Outer Wing Assembly Triple Fold	HSG-28064	1			Right Hand 3Ft. Outer Wing Assembly Triple Fold	HSG-28069	1
		Left Hand 2Ft. Outer Wing Assembly Triple Fold	HSG-28066	1	41		Female Flange Spray Bar Cap	HSG-27291	1
		Left Hand 3Ft. Outer Wing Assembly Triple Fold	HSG-28068	1	42		Manifold 3/8" Twin #2 Nozzle Assembly	MSM-27193	AR
	15	Cylinder, Double Fold Wing Lift	CYL-22028	2			Manifold 3/8" Twin #3 Nozzle Assembly	MSM-27195	AR
	16	Wing Lift Bolt Assembly	FAS-26376	4	43		Manifold 3/8" Twin Nozzle Manifold	MSM-27192	1
	17	Cylinder, Double Fold Wing Lift	CYL-22028	2	44		O'Ring 1 1/2" O.D. x 1 3/8" I.D. x .062 Viton	RNG-27240	1
	18	Left Hand 1Ft. Mid Wing Assembly Triple Fold	HSG-28072	1	45		Bushing Double Nozzle Manifold	FIT-27199	1
		Left Hand 2Ft. Mid Wing Assembly Triple Fold	HSG-28074	1	46		Nozzle #1 3/8" NPT x 3/8 Bore	FIT-27200	60
		Left Hand 3Ft. Mid Wing Assembly Triple Fold	HSG-28076	1			Nozzle #2 3/8" NPT x 3/8 Bore	FIT-27196	60
	19	Box Limit Switch (2-Hole)	HSG-24239	6			Nozzle #3 3/8" NPT x 3/8 Bore	FIT-27197	60
		Switch Limit Switch Assembly (Teflon)	ELC-26549	6			Nozzle #4 3/8" NPT x 3/8 Bore	FIT-27198	60
	20	Wing Lift Bolt Assembly (Heavy Duty Cylinder)	FAS-26372	2	47		Valve Nozzle Bushing 3/8"	FIT-27372	60
	21	Cylinder Heavy Duty Wing Lift 2" x 10"	CYL-22302	2	48		Aluminum Valve Bushing Washer	FAS-27373	60
	22	Upper Swing Joint Assembly (Over-Sized)	HSG-27576	2	49		Roll Pin Stainless Steel 1/8" x 1/2"	FAS-27359	60
	23	Upper Swing Joint Seal (Over-Sized Swing Joint)	RNG-27231	2	50		.563 Ball Valve Assembly	MCH-27364	60
	24	Top Internal Tube	HSG-27384	2	51		Poppet Spring	FAS-27356	60
	25	Bottom Internal Tube	HSG-27383	2	52		Valve Stem Stainless Steel Spray Bar	MSM-27416	60
	26	Left Hand 2Ft. Inner Wing Assembly Heavy Swing Joint	HSG-28054	1	53		Bar Stem Poppet Assembly	MCH-27414	60
		Left Hand 3Ft. Inner Wing Assembly Heavy Swing Joint	HSG-28056	1	54		Spring Conical Shaped Valve Stem	FAS-27418	60
		Left Hand 4Ft. Inner Wing Assembly Heavy Swing Joint	HSG-28058	1	55		Bar Stem Seal	RNG-27232	60
	27	Lower Swing Joint Seal (Over-Sized Swing Joint)	RNG-27244	2	56		Bar Stem O'Ring Viton 2-110	RNG-26927	60
	28	Lower Swing Joint Assembly (Over-Sized)	MCH-27571	2	57		Nozzle Snap Ring	RNG-27363	60
	29	Gasket 2 1/2" 6-Hole	RNG-29055	4	58		Washer Stainless Steel Bar Stem	FAS-27362	60
	30	2 1/2" Butterfly Valve Lever	BRK-27277	2	59		Valve Stem Lifter	MCH-26587	60
	31	2 1/2" Butterfly Valve Assembly	VLV-27483	2	60		Jam Nut 5/16 – 24	FAS-28573	60
	32	Gasket 2" 6-Hole	RNG-29050	2					
	33	Equalizer Air Cylinder	CYL-27316	2					

Figure 0-11. Valve Box Assembly

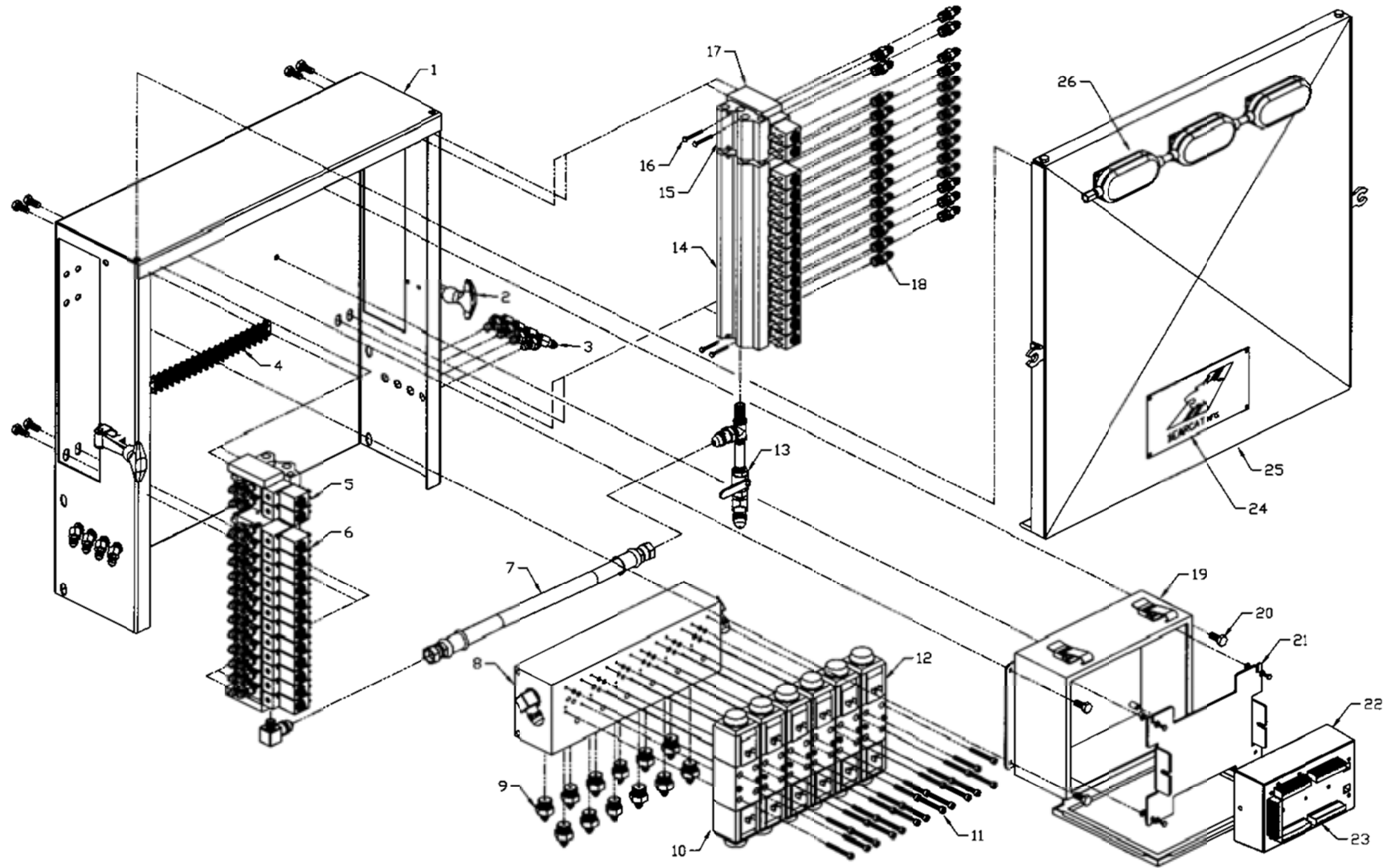




Fig	Item	Description	Part No.	Qty.
8-11		Valve Box Assembly		RF
	1	Valve Box Enclosure	HSG-24356	1
	2	T-Handle Flex Latch & Clip	FAS-24338	2
	3	Fitting C5375x4x4	45D4MJ-4MJBH	8
	4	20 Lug Barrier Strip	ELC-24220	1
	5	Versa Coil 4-Way Valve	ELC-26970	28
	6	Versa Air Valve 4-Way	VLV-26970	28
	7	Jumper Hose	MSC-52171	1
	8	6-Station Series Manifold	MSC-22056	1
		4-Station Series Manifold	MSC-22335	1
	9	Fitting C5315x4x8	8MB-4MJ	12
	10	Hydraulic Valve Open/Center 2-Plug Coil	VLV-100076	6
	11	Soc. Hd. Cap Screw 10 – 24 x 1 ¼"	FAS-25453	24
	12	Hydraulic Valve Coil (2-Prong)	ELC-26979	12
	13	¼" Ball Valve	VLV-29200	1
	14	Versa Air Manifold 12 Station/11 Valves	VLV-26980	2
	15	Versa Air Manifold 2 Station	MSC-27002	2
	16	Soc. Hd. Cap Screw 6 – 32 x 1 ½"	FAS-25447	4
	17	Right Hand & Left Hand Mounting Block Versa	BRK-24358	4
	18	Fitting C5205x4	4MJ-2MP	56
	19	Enclosure Modified	HSG-24254	1
	20	Bolt 5/16 – 18 x ¾"	FAS-28715	12
	21	Backing Plate	BRK-24255	1
	22	CRC Slave Unit	MTR-26230	1
	23	12-Pin Plug Slave Unit	ELC-26230	5
	24	Logo Plate BearCat	MSM-26187	1
	25	Valve Box Cover Assembly	HSG-24375	1
	26	ICC Lights	ELC-24212	1



Fig	Item	Description	Part No.	Qty.
8-12		Diesel Burner Assembly	PTM-24951	RF
	1	Nozzle/Screen Burner 3.50 X 45B	FIT-24951	1
	2	Electrode	ELC-24954	2
	3	Electrode/Fuel Tube Assembly (Hose Nozzle)	ELC-24950	1
		Gun Assembly Heated Beckett BAC201	ELC-24947	1
	4	Screw 10 – 24 x ¼”	FAS-25822	2
	5	Cover	ELC-80515B	1
	6	Gasket	ELC-80515A	1
	7	Drive Coupling	FIT-24957	1
	8	Locknut Steel	ELC-24170	3
	9	Nipple Close ½”	FIT-28003	1
	10	Conduit LB 90 ½”	ELC-24412	1
	11	C5355x8x4 Fitting	45D8MJ-4MP	1
	12	1/16” Soc. Hd. Pipe Plug	Provided	1
		w/Burner		
	13	Motor Electric (Met) Burner	ELC-24958	1
	14	Brush Kit, Met Motor	ELC-80690	1
	15	Squirrel Cage Fan	MCH-24951	1
	16	Strain Relief ½”	ELC-24421	1
	17	Spring, Ignition Coil	ELC-24948	2
	18	Ignition Coil w/Lid	ELC-24970	1
	19	Fuel Solenoid	VLV-24950	1
	20	Pump, Fuel Beckett (Truck)	PMP-24980	1
	21	Ignition Coil	ELC-81180	1

Figure 0-13. Wet Box and Glove Box Options

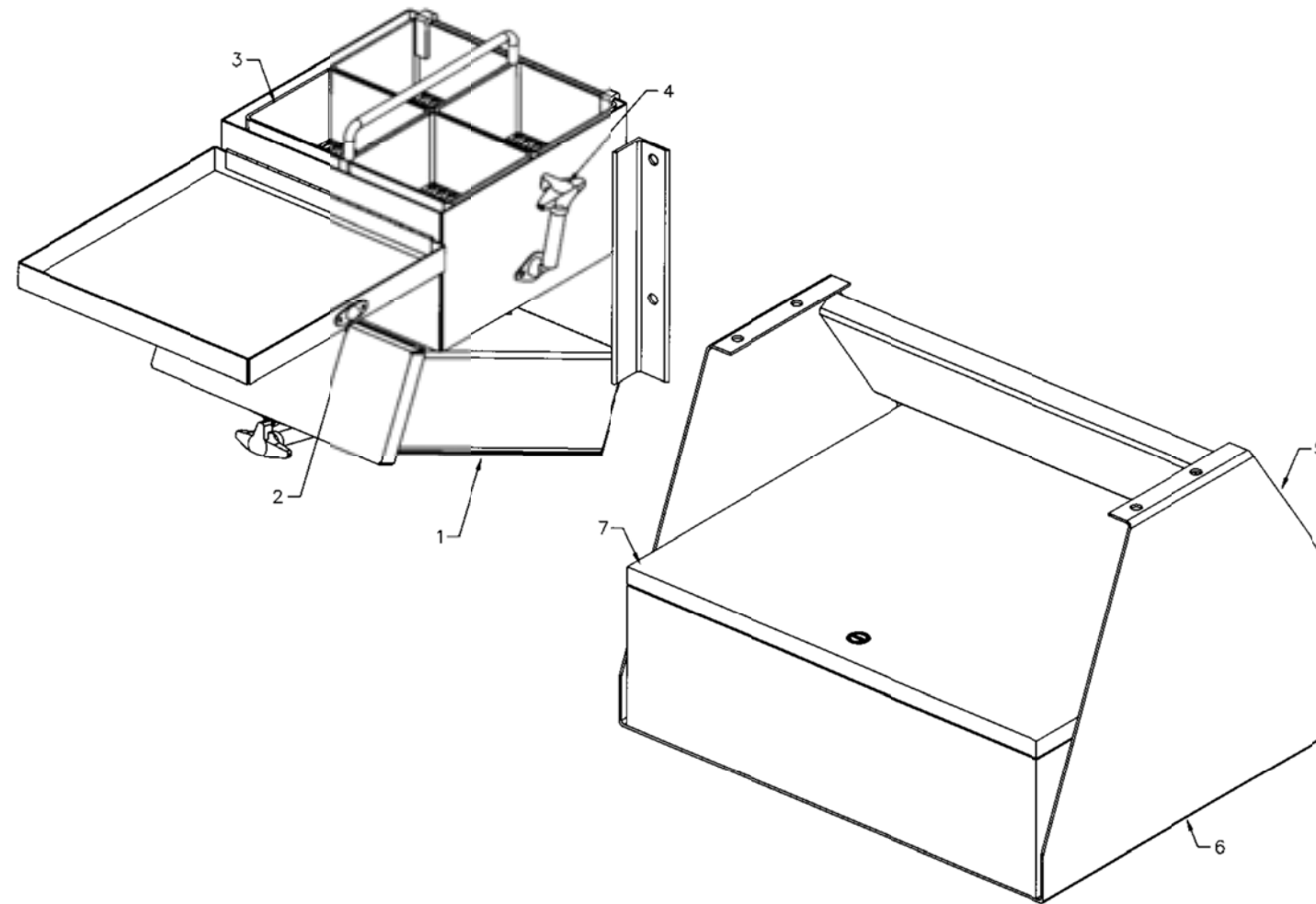
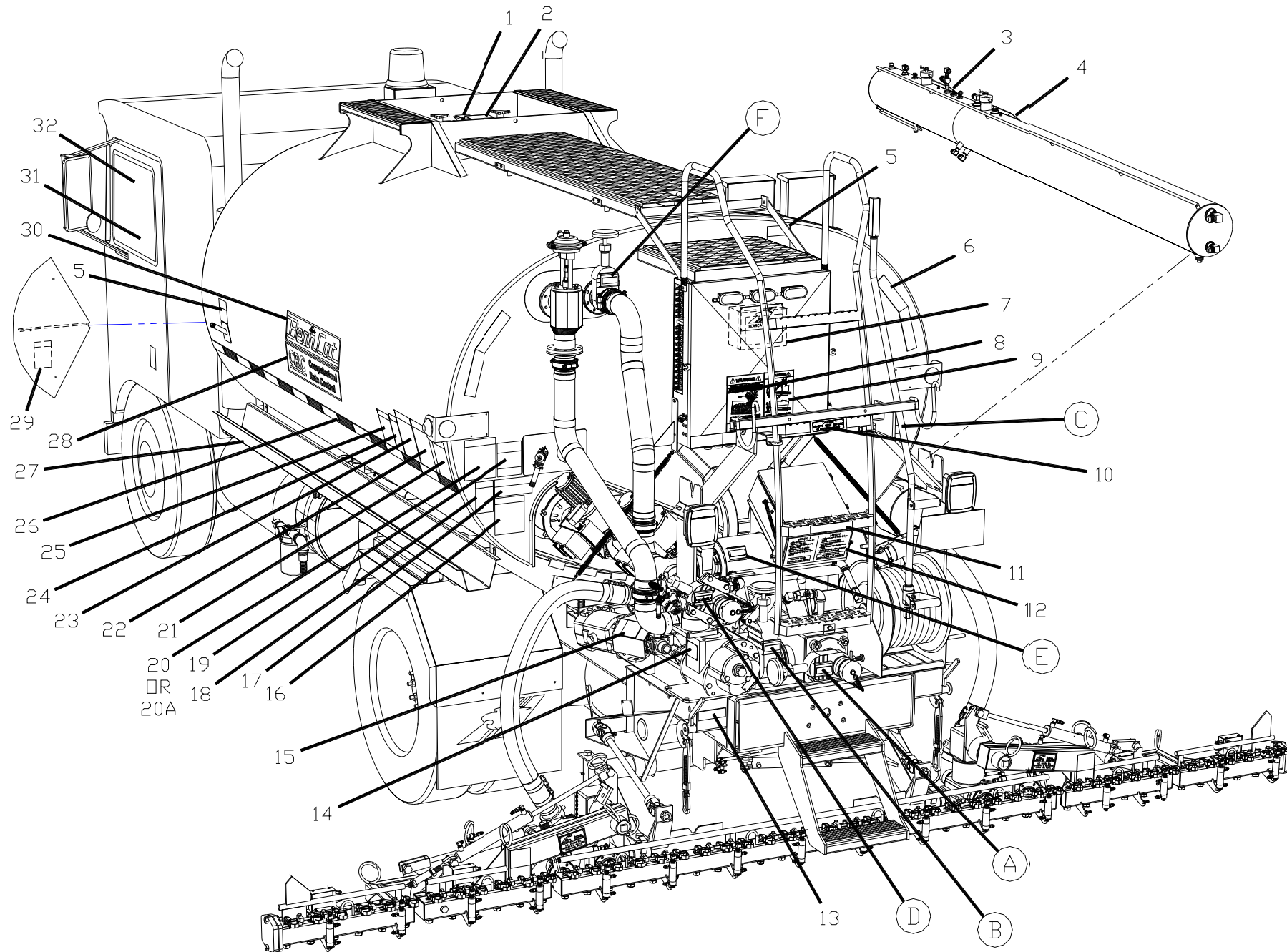


Fig	Item	Description	Part No.	Qty.
8-13		Wet Box and Glove Box Options		RF
	1	Box Nozzle Strainer/Glove Box Assembly	HSG-27714	1
	2	T-Handle Latch Bracket	FAS-24387A	2
	3	Strainer Nozzle/Glove Box	FTR-27715	1
	4	T-Handle Latch	FAS-24387	2
	5	Box, Wet Tool Box Assembly	OPT-24247	1
	6	Bracket Wet Tool IBox	BRK-23180	1
	7	Box Enclosure 20" x 16" x 6"	HSG-24248	1

Figure 0-14. Safety Decals and Plates





Model BC501/CRC

Fig	Item	Description	Part No.	Qty.	Fig	Item	Description	Part No.	Qty.
8-14		Safety Decals and Plates		RF	8-14	17	Decal, WARNING BURNER MUST NOT BE OPERATED	DCL-26163	1
	A	Plate, Valve ID. IN-PUMP FORWARD OUT-PUMP REVERSE	MSM-26167	1		18	Decal, WARNING FILL LINE CAP OR CONNECTION	DCL-21211	1
	B	Plate, Valve ID. PUMP	MSM-26168	1		19	Plate, CAUTION SAMPLE VALVE HOT ASPHALT DISCHARGE 450 DEG F.	MSM-50078	1
	C	Plate, Valve ID. TANK VALVE	MSM-26181	1		20	Decal, WARNING DIESEL BURNER OPERATION (BURNER OPTION)	MSM-80043	1
	D	Plate, Valve ID. IN-PUMP REVERSE OUT-PUMP FORWARD	MSM-26169	1		20A	Decal, Directions LIQUID PET BURNERS (BURNER OPTION)	MSM-80038	1
	E	Plate, Valve ID. SPRAY BAR	MSM-26170	1		21	Decal, DANGER EXPLOSION HAZARD	DCL-21205	1
	F	Plate, Valve ID. TANK CIRCULATE	MSM-26171	1		22	Decal, CAUTION READ AND UNDERSTAND MANUAL	DCL-21210	1
	1	Plate, Information DOME LID MEETS DOT SPECS.	MSM-26159	1		23	Plate, WARNING SAFETY HAZARDS	DCL-80042	1
	2	Decal, WARNING ERUPTION/EXPLOSION	DCL-21207	1		24	Decal, WARNING ASPHALT GRADES	DCL-21208	1
	3	Decal, CAUTION BIODEGRADABLE SOVENTS OR OILS	DCL-21479	1		25	Decal, WARNING MATERIAL HAZARD	DCL-21201	1
	4	Decal, CAUTION FLUSH FUEL ONLY	DCL-21478	1		26	Tape, Conspicuity Red/Silver 2" Wide	MSM-21302	1
	5	Decal, CAUTION HOT SURFACES REMAIN CLEAR UNTIL COOL	MSM-80039	1		27	Kit, Decal, DANGER NEVER GET UNDER (BOTH SIDES OF FRAME)	DCL-21213	1
	6	Tape, Conspicuity Silver 2" Wide	MSM-21303	1		28	Decal, CRC COMPUTERIZED RATE CONTROL	MSM-26195	1
	7	Decal, Warranty NO MODIFICATION IN OR AROUND BOX	DCL-100094	1		29	Decal, WARNING DO NOT EXCEED GVWR OR GAWR	DCL-21212	1
	8	Decal, WARNING DANGER HOT ASPHALT ON EMULSIFIED ASHALT	DCL-21204	1		30	Decal, BEARCAT	MSM-26188	1
	9	Decal, WARNING BURNER USE	DCL-21203	1		31	Kit, Decal, CAUTION POWER TAKE OFF (NEAR PTO CONTROL)	DCL-21213	1
	10	Decal, CAUTION REMOVE LOAD HOSE BEFORE CLIMBING LADDER	DCL-21490	1		32	Kit, Decal, WARNING NEVER GET UNDER TRUCK (ON VISOR)	DCL-21213	1
	11	Decal WATCH YOUR STEP	DCL-51729	1					
	12	Plate, WARNING BILINGUAL REAR CONTROL BOX	MSM-52115	1					
	13	Plate ASPHALT PUMP FLOW DIRECTION FORWARD AND REVERSE	MSM-26174	1					
	14	Plate, WARNING CARGO PUMP HAZARDS	MSM-33710	1					
	15	Decal, CAUTION ALWAYS HAVE SHIELD & REMAIN CLEAR	DCL-21209	1					
	16	Decal, WARNING BURNER/MATERIAL HAZARD	DCL-21202	1					

ILLUSTRATED PARTS LIST

The following spare parts list is provided as a guide to the user for convenience in the maintenance of the Model BC501/CRC Asphalt Distributor. All of the parts listed are available from BearCat Mfg., Inc.

Table 0-1. Recommended Spare Parts

Description	Part Number	Quantity
Hydraulic Filter	FTR-22502	1
1' Standard Linkage	MCH-26397	1
Valve Stem Lifter	MCH-26587	2
Bar O-Ring	RNG-26927	2
Swivel O-Ring	RNG-26945	4
Swing Joint Seal, Upper	RNG-27230	1
Swing Joint Seal, Lower	RNG-27231	1
Bar Seal	RNG-27232	2
Suction Strainer Screen	FTR-27242	1
Versa Valve	VLV-26970	1
Seating Tool	MSC-27280	1
Seating Tool	MSC-27281	1
Equalizer Cylinder	CYL-27316	1
Bar Cylinder	CYL-27318	2
Cylinder Connector	BRK-27330	2
Spray Nozzle - #1 3/8" Pipe	FIT-27200	2
Spray Nozzle - #2 3/8" Pipe	FIT-27196	2
Spray Nozzle - #3 3/8" Pipe	FIT-27197	2
Spray Nozzle - #4 3/8" Pipe	FIT-27198	2
Spray Nozzle - #5 3/8" Pipe	FIT-27195	2
Valve Washer	FAS-27362	2
Snap Ring	RNG-27363	2
Valve Bushing 3/8" Pipe	FIT-27372	2
Bushing Washer	FAS-27373	2
Poppet Assembly	MCH-27414	2
3" Flange Gasket	RNG-29060	1
4" Flange Gasket	RNG-29065	1
Marker Gasket	RNG-29073	2
Suction Housing Gasket	RNG-29068	1
Load Strainer Gasket	RNG-29067	1
Momentary Switch	ELC-24274A	1
On-Off Switch	ELC-24275A	1
High Volume Strainer Gasket	RNG-52179	1
On-Off-On Switch	ELC-24276A	1



Switch, Manual/CRC

ELC-24268A

1

Table 0-2. First-Aid Kit

Description	Part Number	Quantity
Circuit Breaker 30 Amp	ELC-24290	1
Circuit Breaker 50 Amp	ELC-24184	1
Computer, Sensor-FPM or GPM	ELC-26148	1
Connector, Spray Valve Cylinder	BRK-27330	1
Cylinder, Large Equalizer	CYL-27321	1
Cylinder, Mirror	CYL-27315	1
Cylinder, Seal Kit-Bar Lift	KIT-52040	1
Cylinder, Seal Kit-Double Fold Wing	KIT-22028	1
Cylinder, Seal Kit-Wing and Swing	KIT-22300	2
Cylinder, Small Equalizer	CYL-27316	1
Cylinder, Spray Valve and Mirror	CYL-27318	2
Elbow 90° Street 3/8"	FIT-28237	4
Filter, Hydraulic	FTR-22502	1
Gasket, 3" 8 Hole	RNG-29060	2
Gasket, 4" 8 Hole	RNG-29065	1
Gasket, High Volume Strainer	RNG-52179	1
Gasket, Intake Strainer and Tank Valve	RNG-29067	1
Gasket, Load Hose	RNG-29056	2
Gasket, Marker/Bar Flange	RNG-29073	2
Gasket, Suction Housing	RNG-29068	1
Gasket, Swivel O-Ring	RNG-26945	3
Linkage Standard (Plain)	MCH-26397	1
Screen, High Volume Strainer	FTR-52165	1
Screen, Intake Strainer	HSG-27248	1
Screen, Suction Strainer	FTR-27242	1
Seal, Cargo Pump Dust Seal	RNG-27238	1
Seal, Cargo Pump Product Seal	RNG-27233	1
Seal, Lower Swing Joint	RNG-27231	2
Seal, Upper Swing Joint	RNG-27230	2
Solenoid, Air Valve	VLV-26960	2
Spray Bar, Linkage/fingered	MCH-26398	1
Spray Bar, Linkage/Lever	MCH-26644	1
Spray Valve Nozzle #1	FIT-27200	5
Spray Valve, Bushing	FIT-27372	5
Spray Valve, Bushing Washer	FAS-27373	5
Spray Valve, O-Ring	RNG-26927	10
Spray Valve, Poppet Assembly	MCH-27414	5
Spray Valve, Seal	RNG-27232	10
Spray Valve, Seating Tool (both required)	MSC-27280	1
Spray Valve, Seating Tool (both required)	MSC-27281	1
Spray Valve, Snap Ring	RNG-27363	10
Spray Valve, Stem Lifter	MCH-26587	1
Spray Valve, Washer	FAS-27362	10
Switch, Circulate, Tank Valve and Flush	ELC-24275A	1
Switch, Forward and Reverse	ELC-24273	1

Table 0-3. First-Aid Kit (cont)

Description	Part Number	Quantity
Switch, Momentary	ELC-24274A	1