

5. Plug the cable in and try the cam using the manual mode set at 50% open.
 - a. If the cam goes full open and the numbers are negative.
 - b. Rotate the PPU to the opposite 22° side of the hydraulic motor shaft center line, this will change the close signal of the PPU to the opposite rotation.

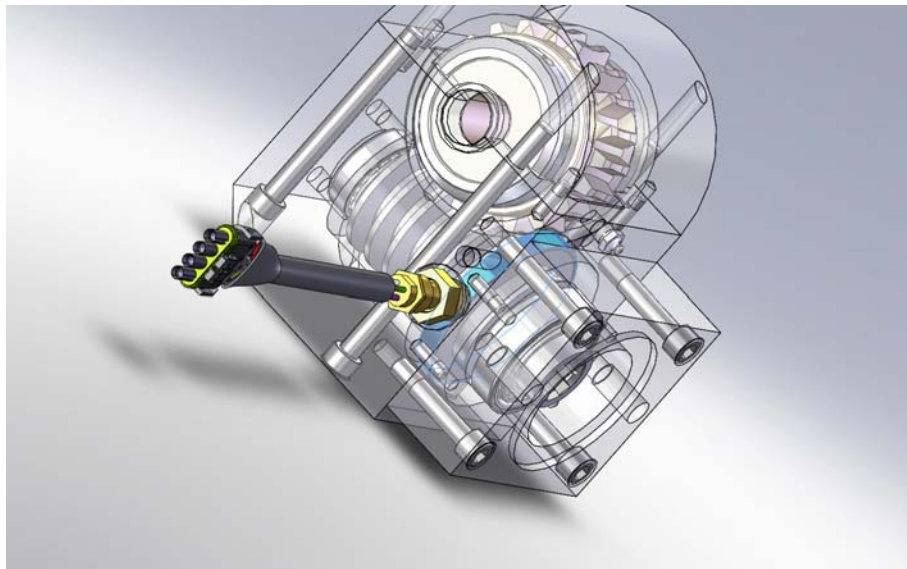


Figure 6-5. Cam Gearbox Position Sensor

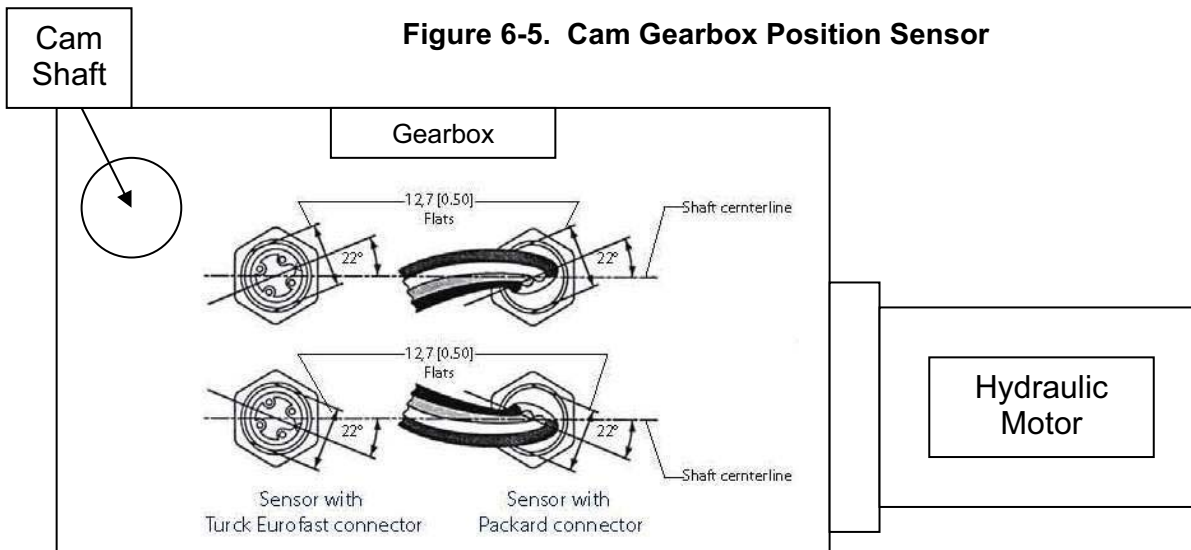


Figure 6-6. Cam Gearbox Position Sensor 22deg view

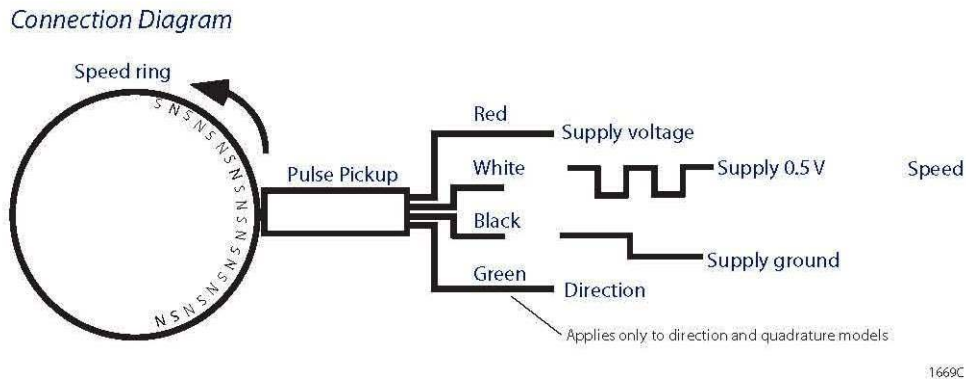


Figure 6-7. Cam Gearbox Position Sensor How it Works

Hydraulic Motor mounted sensor (mid 2008 thru 2009):

The cam feedback sensor is a self-calibrating hall-effect PPU type located in the CAM gearbox. It does not require any calibrating.

1. With chipper spreader engine OFF.
2. Remove: unplug connector, rotate the sensor CCW.
3. Install: rotate the sensor CW until the hex-shoulder bottoms tighten to 10 ft lbs.
4. Plug the cable in and try the cam using the manual mode set at 50% open.
 - a. If the cam goes full open. The CRC is not receiving the position sensor signal. See cam sensor trouble shooting.

Belt Driven Rotary Hall-sensor (mid 2005 to mid 2008):

The potentiometer (Pot) for each spread hopper is located on the outboard end of the camshaft and is protected by a heavy guard bolted to the end plate of the spread hopper (Figure 6-8). With the guard removed, the Pot can be accessed for repair or replacement (Figure 6-9). Perform the following steps to calibrate the Pot:

1. Start the chipper spreader engine.
2. Put the cam in the OFF mode.