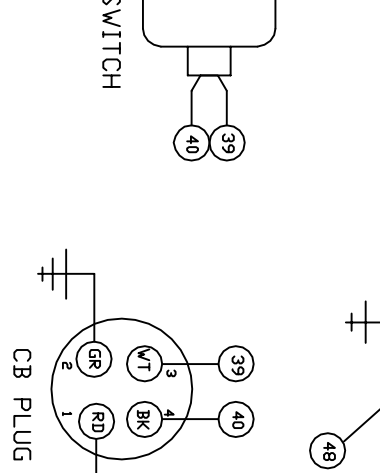
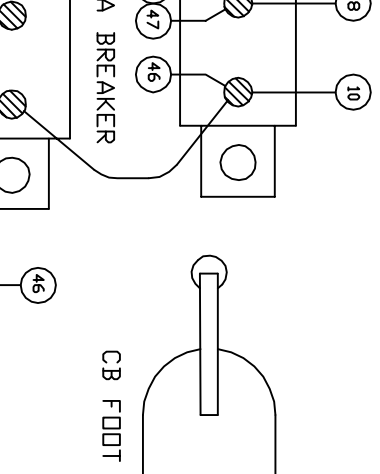
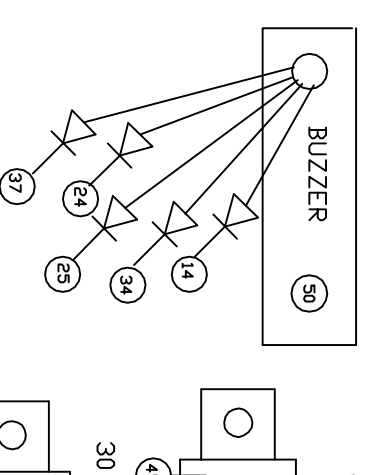
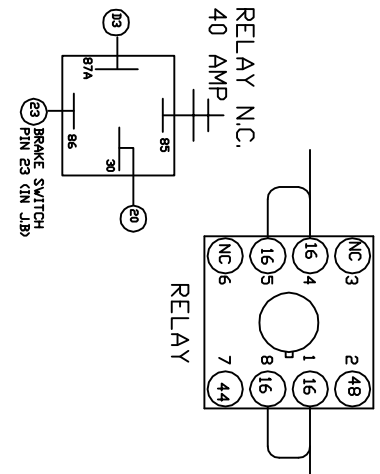
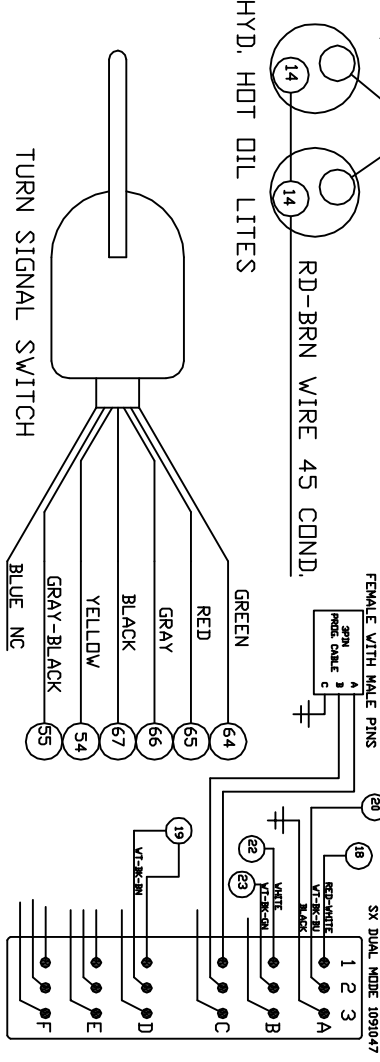


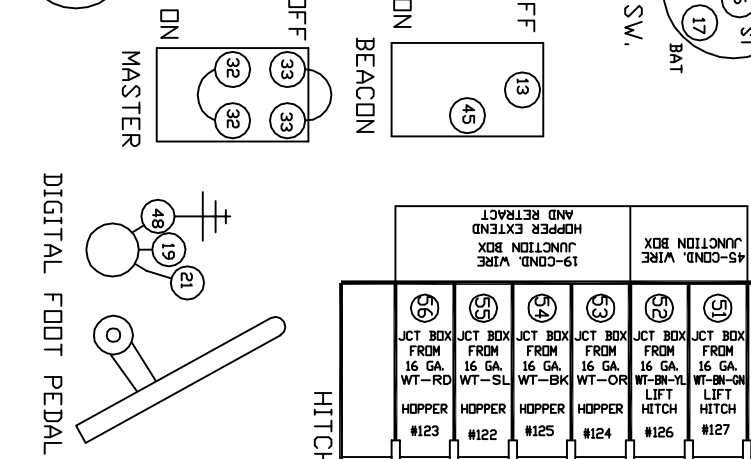
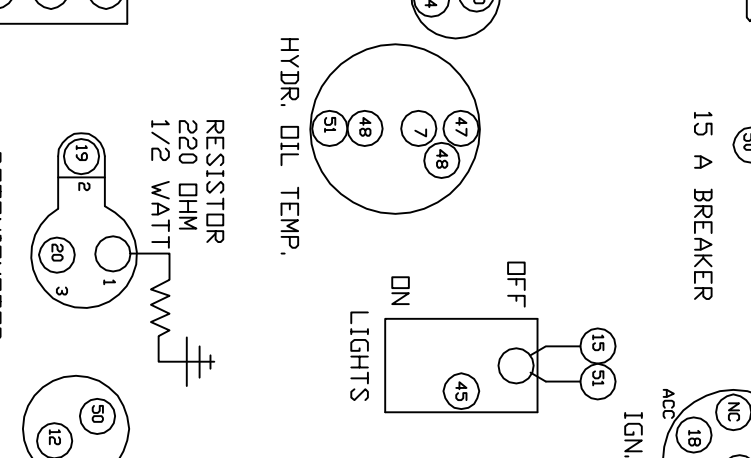
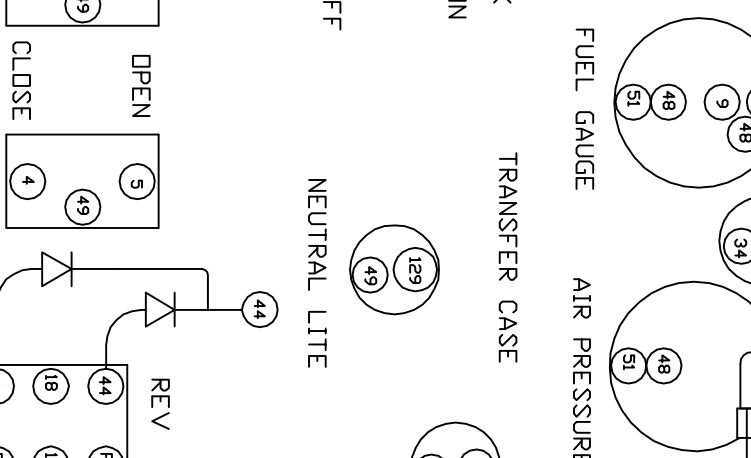
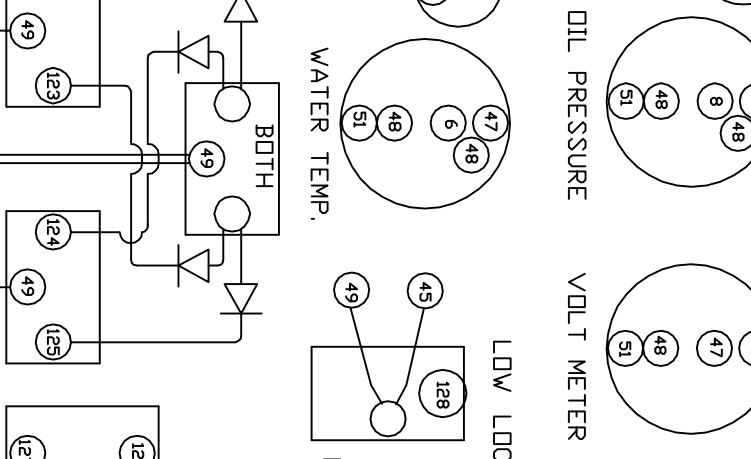
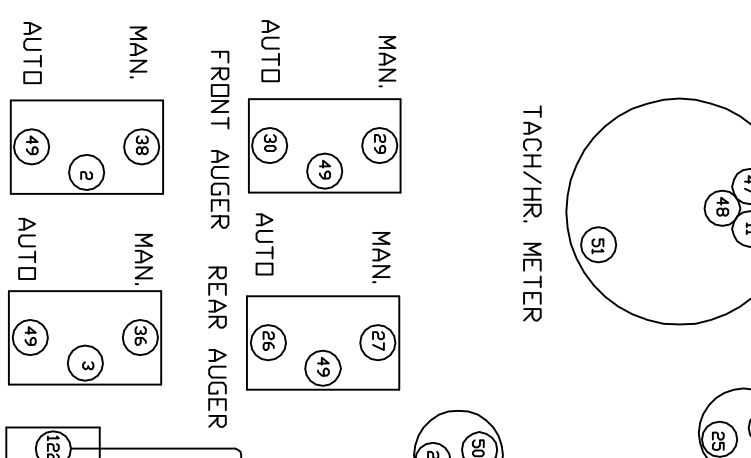
45 CONN  
19 CONND

45 CONDUCTOR FROM JUNCTION BOX

19 CONDUCTOR FROM SLAVE BOX



SWITCH FROM GA	○	#64	L. FRONT TURN YL	○	41
SWITCH FROM RD	○	#65	R. FRONT TURN YL	○	42
SWITCH FROM BK	○	#66	L. REAR TURN BK	○	43
SWITCH FROM BK	○	#67	R. REAR TURN BK	○	44
SWITCH FROM YL	○	#22	F. FROM STOP LIGHT	○	45
SWITCH FROM YL	○	#23	F. FROM STOP LIGHT	○	46
SWITCH FROM YL	○	#128	L. LOCK NEUTRAL	○	47
SWITCH FROM GA	○	#129	R. LOCK NEUTRAL	○	48
SWITCH FROM BK	○			○	49
SWITCH FROM BU	○			○	50



45-COND. WIRE FROM JUNCTION BOX	○	#51	SWITCH FROM 16 GA. WT-BK-GR	○	51
19-COND. WIRE FROM JUNCTION BOX	○	#52	SWITCH FROM 16 GA. WT-BK-GR	○	52
JCT BOX FROM 16 GA. WT-RD	○	#53	SWITCH FROM 16 GA. WT-BK	○	53
JCT BOX FROM 16 GA. WT-SL	○	#54	SWITCH FROM 16 GA. WT-BK	○	54
JCT BOX FROM 16 GA. WT-OR	○	#55	SWITCH FROM 16 GA. WT-BK	○	55

SCH-53195  
WIRING DETAIL  
CONSOLE, TANDEM  
CHIPPER 05-