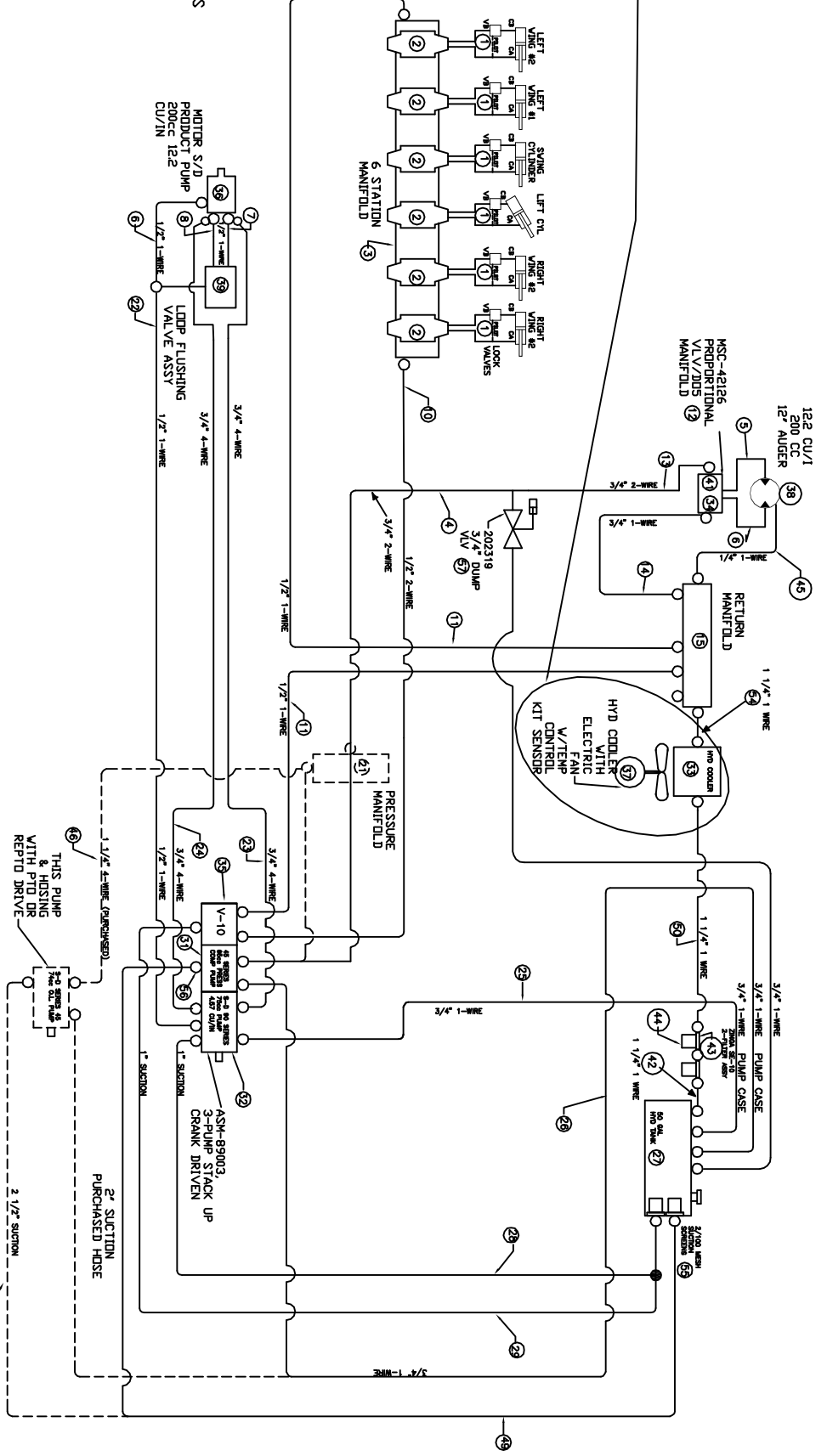


ITEM #	PART NUMBER	DESCRIPTION	HOSE LENGTH	FITTINGS
1	VLV--22319	LOCK-OUT VALVE(3-PORT)		
2	VLV--100073	HYD OPEN CENTER VALVE		
3	MSC--22056	6-STATION HYD. MANIFOLD		
4		3/4 IN 100R2 HOSE		
5		3/4 IN 100R12 HOSE		
6		1/2 IN 100R1 HOSE		
7		1/2 IN 100R1 HOSE		
8		1/2 IN 100R1 HOSE		
9		1/2 IN 100R1 HOSE		
10	VLV--53506	1/2 IN FLOW CONTROL VALVE DRB		
11		1/2 IN 100R-17 HOSE		
12	MSC--42126	PROPOROTIONAL VLV & D05 MANIFOLD		
13		3/4 IN 100R2 HOSE		
14	MSC--51600	PRESSURE MANIFOLD SMALL TANDEM		
15		1 IN 100R1 HOSE		
16		1 IN 100R1 HOSE		
17		1 IN 100R1 HOSE		
18		1/2 IN 100R1 HOSE		
19		1/2 IN 100R2 HOSE		
20		1/2 IN 100 R17 HOSE		
21	MSC--51600	PRESSURE MANIFOLD SMALL TANDEM		
22		1/2 IN 100R1 HOSE		
23		3/4 IN 100R12 4-WIRE HOSE		
24		3/4 IN 100R12 4-WIRE HOSE		
25		3/4 IN 100R1 HOSE		
26		3/4 IN 100R1 HOSE		
27	TKN--22426	HYDRAULIC TANK 50 GAL 48 X 20 DD		
28		1 IN 100R4 SUCTION HOSE		
29		1 IN 100R4 SUCTION HOSE		
30		2-1/2 IN 100R4 SUCTION HOSE		
31	PMP--23023	PRESSURE COMP HYD PUMP 45 SER 74CC		
32	PMP--22236	HYD PUMP SER 90/75CC 4.57 CU-IN		
33	PTM--51937	HYD OIL COOLER MOBIL TYPE MF30 12VDC FAN		
34	VLV--22229	D05 VALVE 2-PDS 4-WAY		
35	PMP--22203	HYD PUMP AUX V-10		
36	200116	HYD MOTOR 200CC/122 CU/IN SLS4000 PSI		
37				
38	200116	HYD MOTOR 122 CU/IN 200 CC		
39	200459	LOOP FLUSHING VALVE		
40		1/4 IN HOSE		
41	VLV--22339	PROPOROTIONAL VLV 20 GPM #16 CARTR.		
42		1-1/4 IN 100R1 HOSE		
43	FTR--51786	FILTER HEAD DBL RETURN W/BYPASS VLV		
44	FTR--22502	HYD FILTER ZINGA SE-10		
45		1/4 IN HOSE		
46		1-1/4 X 118 IN HOSE ASM		
47				
48				
49	202037	2 IN 100R4 SUCTION HOSE		
50		1-1/4 IN 100R1 HOSE		
51		1/2 IN 100R2 HOSE		
52		1/2 IN 100R2 HOSE		
53		1/2 IN 100R1 HOSE		
54		1-1/4 IN 100R1 HOSE		
55	200302	SUCTION FILTER 100 GPM 4IN NPT X 3IN FPT		
56	FTI--23024	FLANGE ANCHOR CODE 61 90 2IN NPT D-RNG 4-BL.T		
57	202319	3/4" AIR OPERATED DUMP VALVE ASM		



QTY	NEXT ASS'Y	MADE BY	BEARCAT
1	200319	APPROVED	
1	200459	MATERIAL	
1	202319	SEE PRINTED B.O.M.	
1	200302		
1	202037	FINISH	

REV. ADDED ELECTRICAL SCHEMATIC FOR HYD	
DIL COOLER W-THERMOSTAT TEMP CONTROLLER OPTION	
RC/FHK 6-8-11	
QTY	NEXT ASS'Y
1	200319
1	200459
1	202319
1	200302
1	202037
1	200116
1	200459
1	202319
1	200302
1	202037

QTY	NEXT ASS'Y	MADE BY	BEARCAT
1	200319	APPROVED	
1	200459	MATERIAL	
1	202319	SEE PRINTED B.O.M.	
1	200302		
1	202037	FINISH	

REV. ADDED ELECTRICAL SCHEMATIC FOR HYD  
DIL COOLER W-THERMOSTAT TEMP CONTROLLER OPTION  
RC/FHK 6-8-11

QTY	NEXT ASS'Y	MADE BY	BEARCAT
1	200319	APPROVED	
1	200459	MATERIAL	
1	202319	SEE PRINTED B.O.M.	
1	200302		
1	202037	FINISH	

**REVISION HISTORY:**  
REV. ADDED ELECTRICAL SCHEMATIC FOR HYD  
DIL COOLER W-THERMOSTAT TEMP CONTROLLER OPTION  
RC/FHK 6-8-11

**BEARCAT MFG. (928) 684-7851**  
 3650 SABIN  
 BROWN RD.  
 WICKENBURG, AZ  
 85390  
 TITLE: RUBBER TRUCK HYD 1-AUGER  
 CLSD LDDP CACTUS TRK  
 PART NO. SCH-47036  
 AUTHDR: FHK DATE: 5-20-08  
 SCALE: NONE SHEET: 1 OF 1