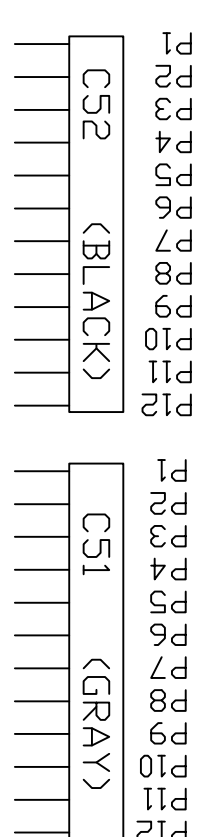
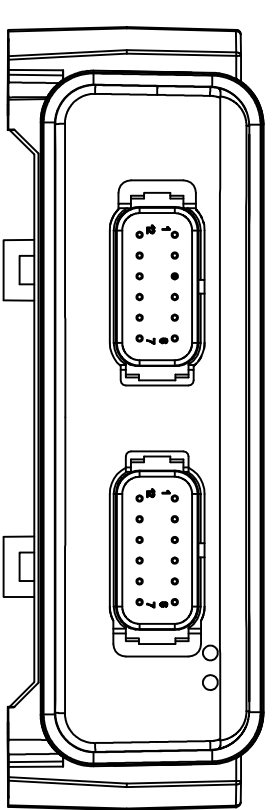
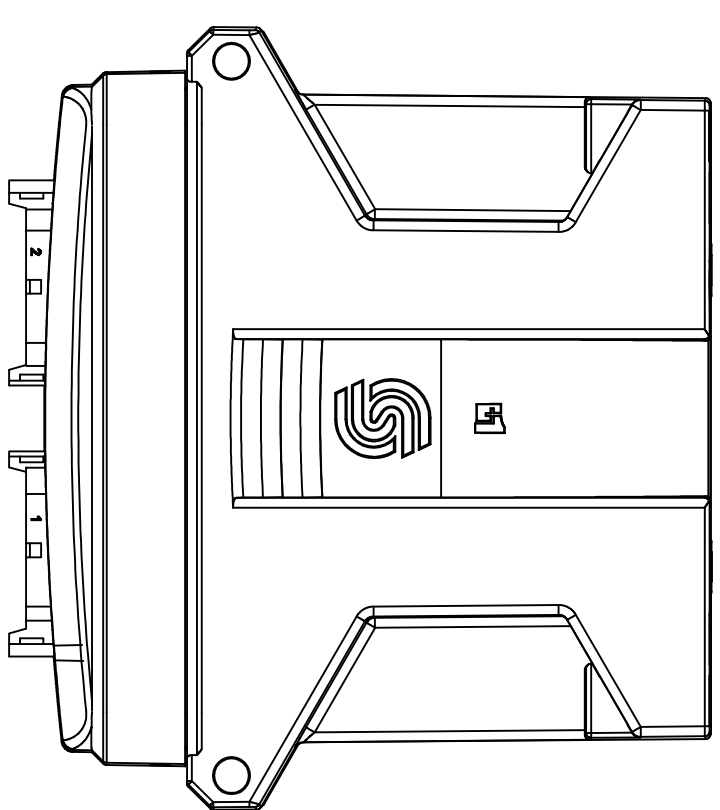
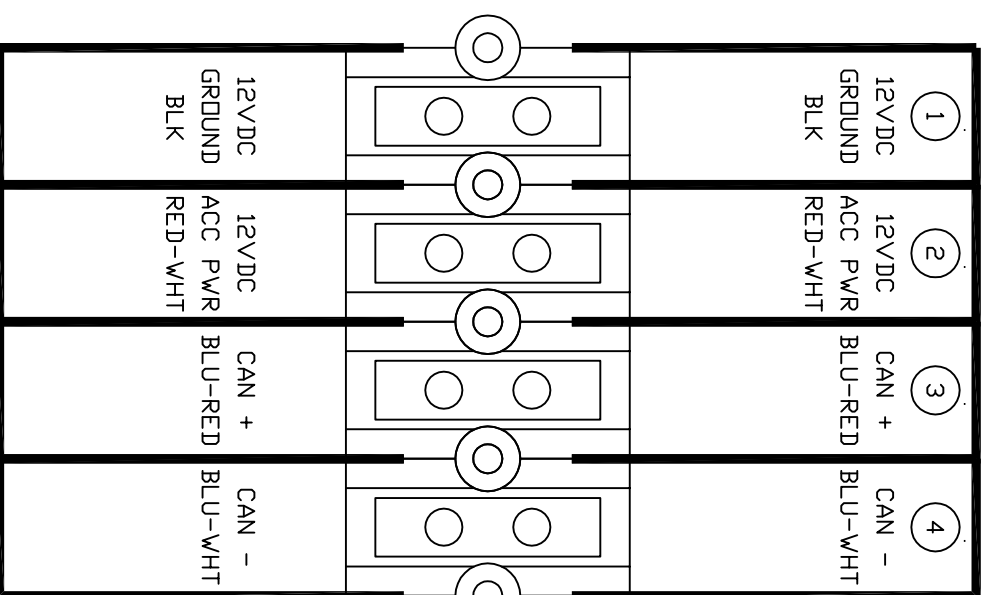
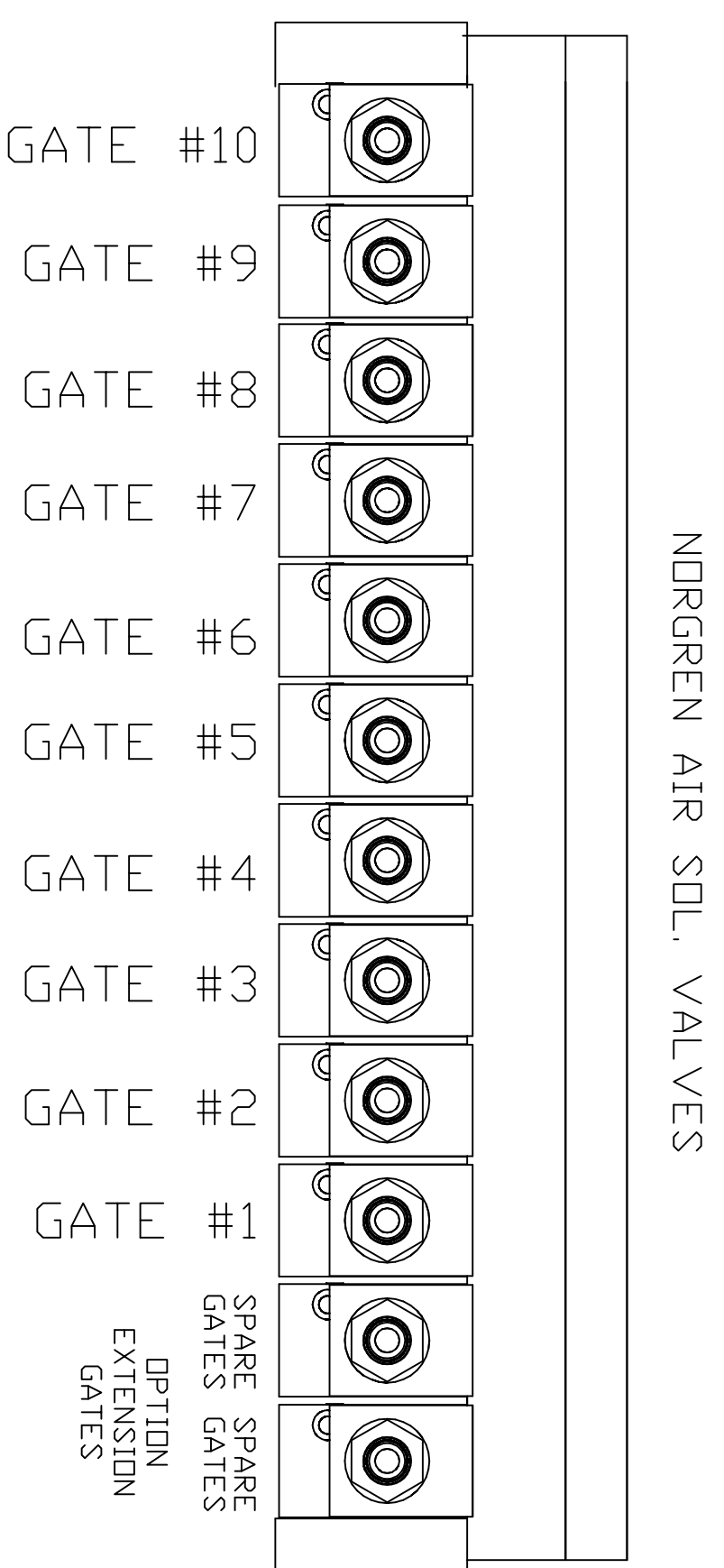


NODE 5
MC024-020

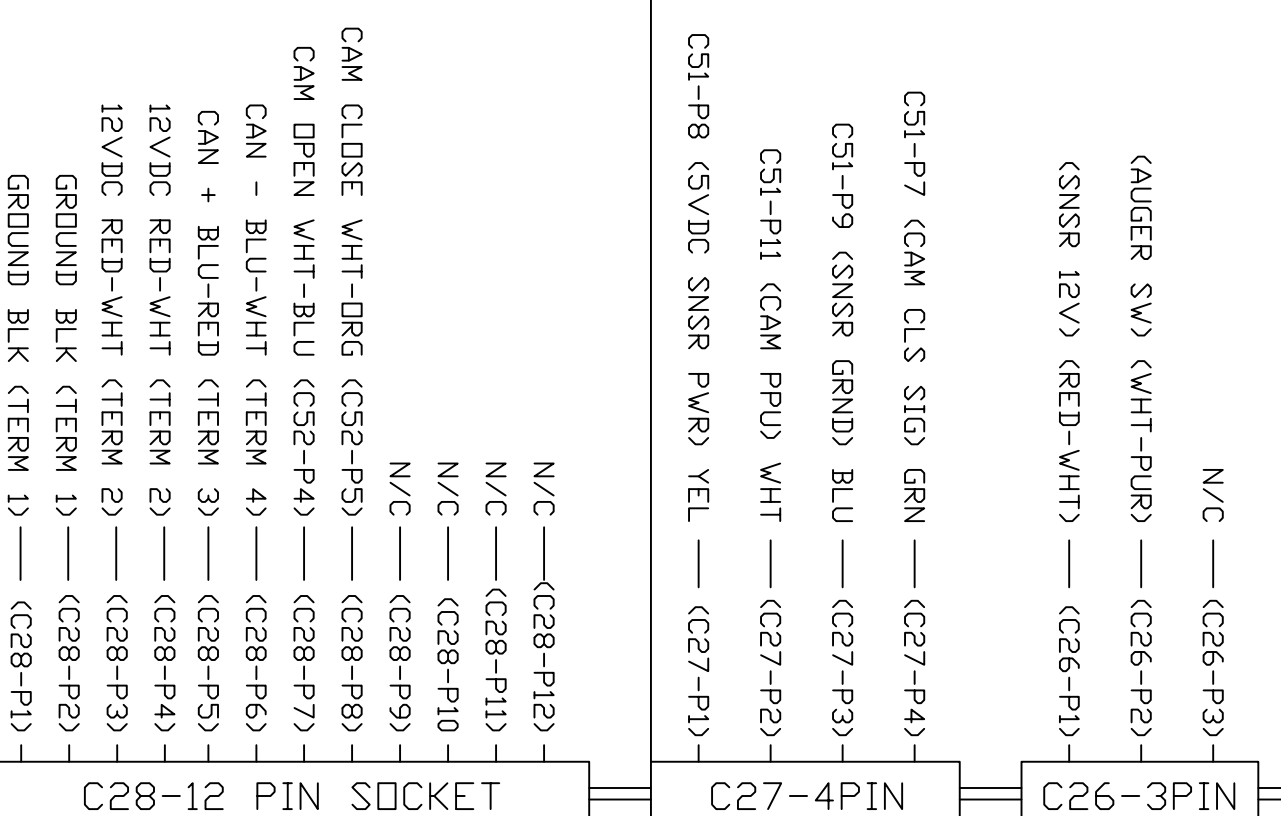


- CS2
- 1-N/C
 - 2-N/C
 - 3-NORNGREN PWR RED-BLU
 - 4-CAM OPEN WHT-BLU (C28-P7)
 - 5-CAM CLOSE WHT-DRG (C28-P8)
 - 6-N/C
 - 7-N/C
 - 8-N/C
 - 9-N/C
 - 10-N/C
 - 11-12VDC RED-WHT (TERM 2)
 - 12-12VDC RED-WHT (TERM 2)
- CS1
- 1-GROUND BLK (TERM 1)
 - 2-12VDC RED-WHT (TERM 2)
 - 3-CAN + BLU-RED (TERM 3)
 - 4-CAN - BLU-WHT (TERM 4)
 - 5-N/C
 - 6-N/C
 - 7-CAM CLS SIG GRN (C27-P4)
 - 8-5VDC SNSR PWR YEL (C27-P1)
 - 9-GRND SNSR PWR BLU (C27-P3)
 - 10-AUGER SW WHT-PUR (C26-P2)
 - 11-CAM PPU SIG WHT (C27-P2)
 - 12-N/C

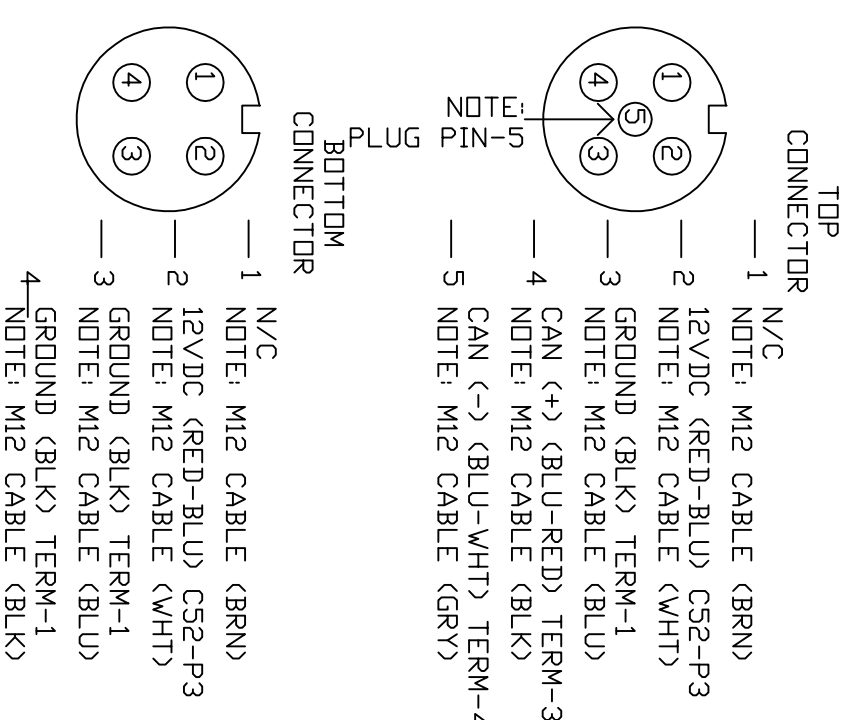


GROUND FOR SNSR SHIELD


208755



TO C13 SLAVE BOX TO CAM SNSR TO AUGER SW



REVISION NOTES:
8-25-2011 UPDATED WITH NORNGREN AIR VALVES. UPDATED WIRING RTC/FHK
7-3-2012 ADDED NODE 6/CAM UPDATE

QTY	NEXT ASS'Y	MADE BY	BEARCAT
?	-----?????????	APPROVED	
		MATERIAL	
		FINISH	
TITLE		 BEARCAT MFG. (928) 684-7851 3650 SABIN BROWN RD. WICKENBURG, AZ 85390	
DRAWING NO.		SCHE ELC WIRE PLUS1 VLV	
PART NO.		BDX LH TDM 2013	
		PART NO. 208753	
STANDARD TOLERANCE	.X .XX .XXX .XXXX	ANG. X/XX	AUTHOR RH
	+0.2 +0.10 +0.03 +0.005	+1.0° +1/32	DATE 7-10-12
			SHEET 1 OF 1