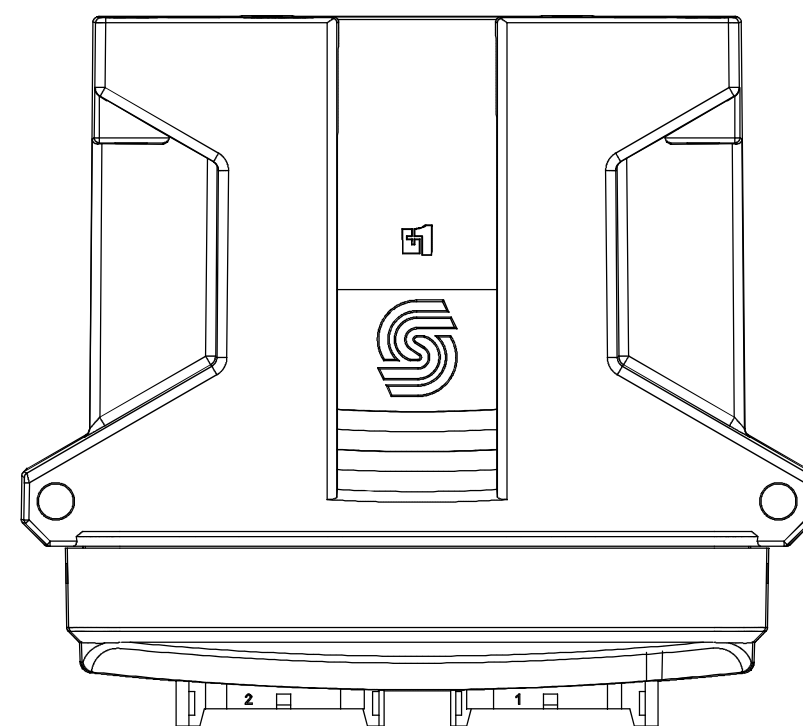
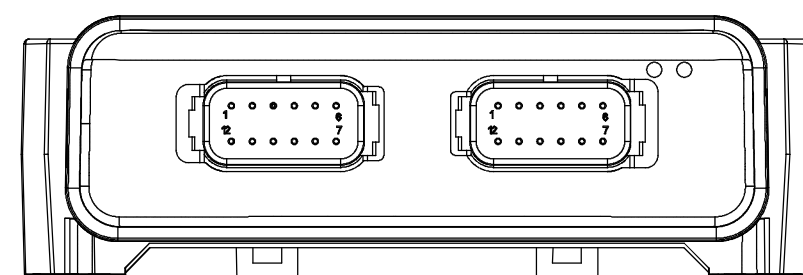


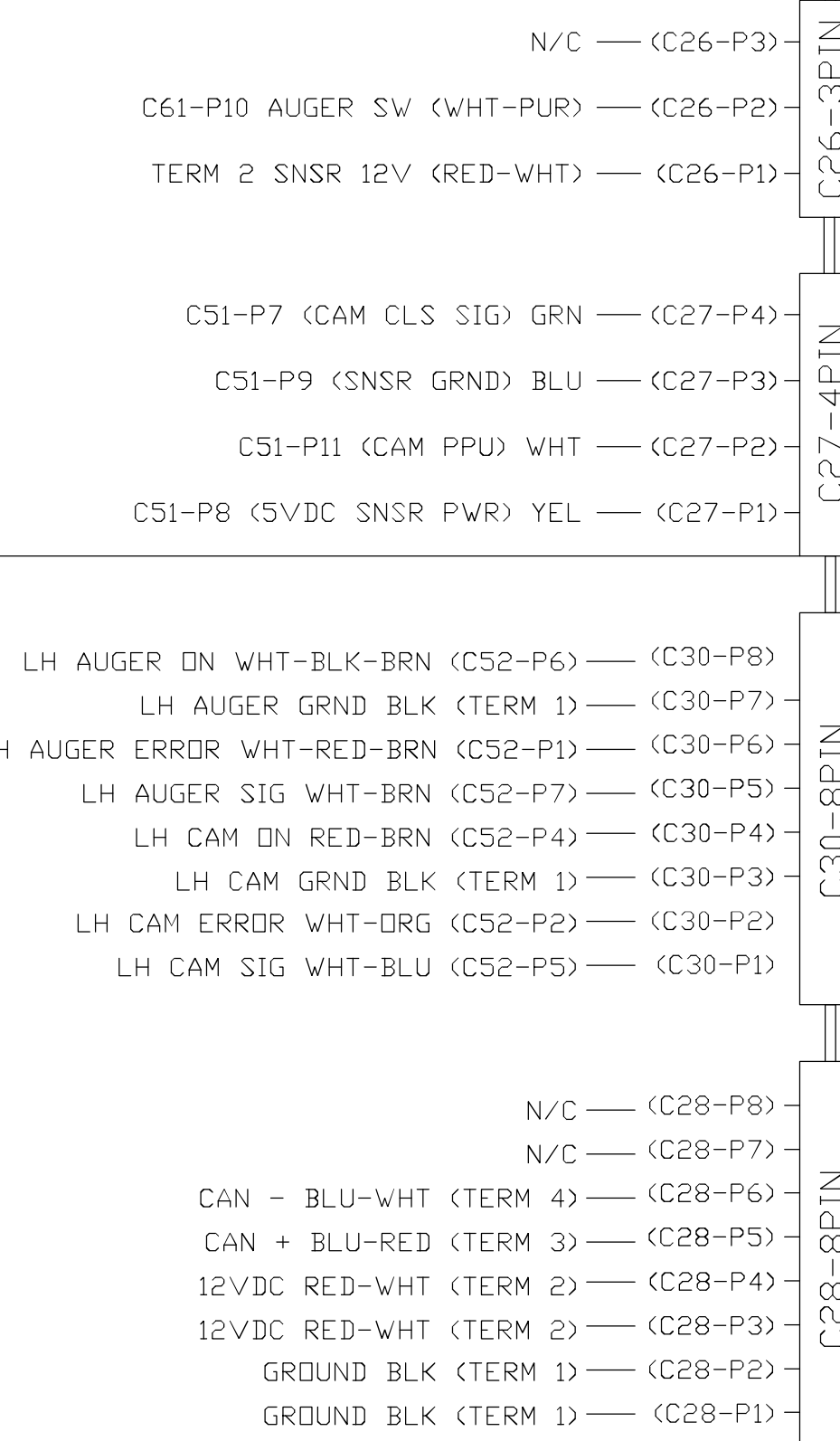
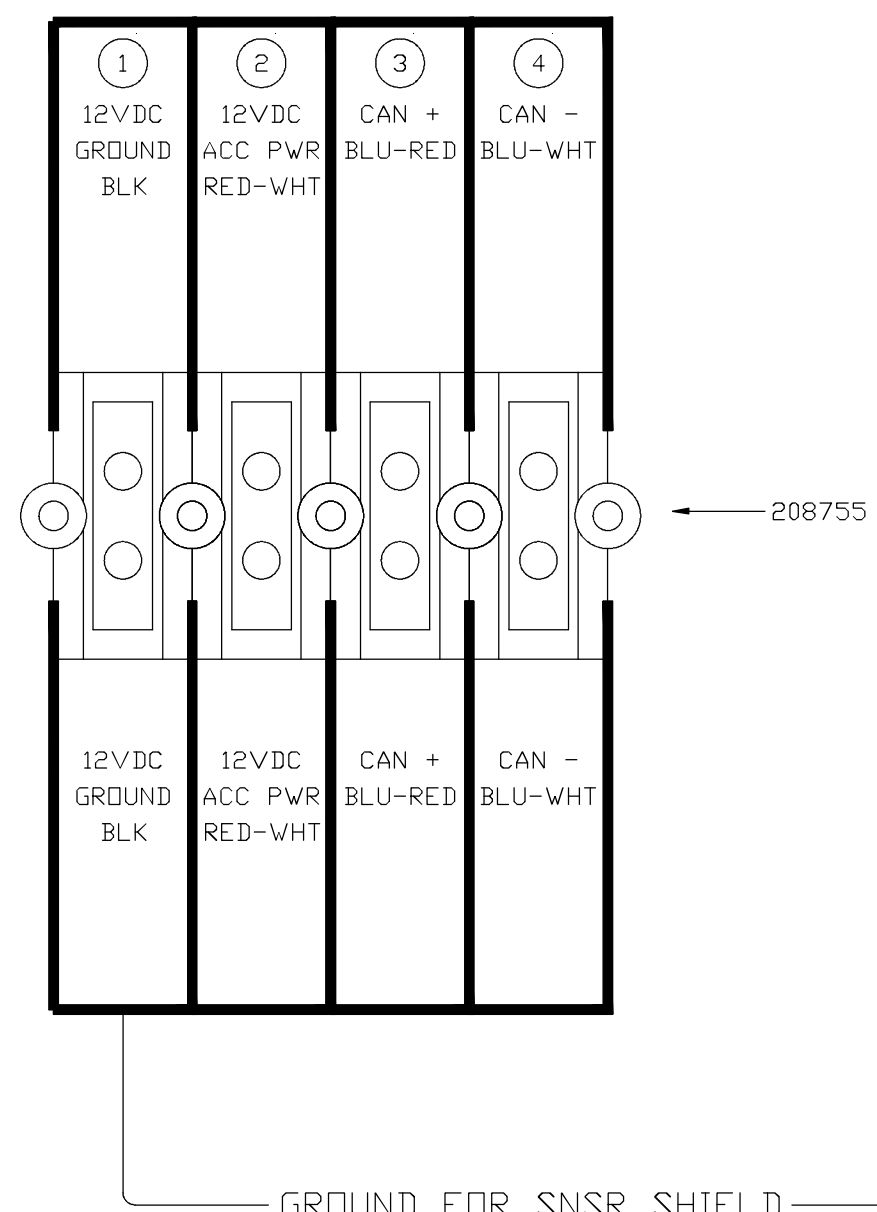
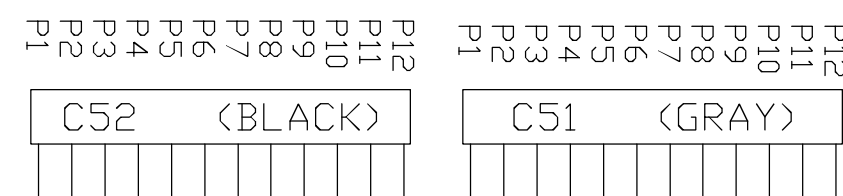
NODE 5
MC024-020



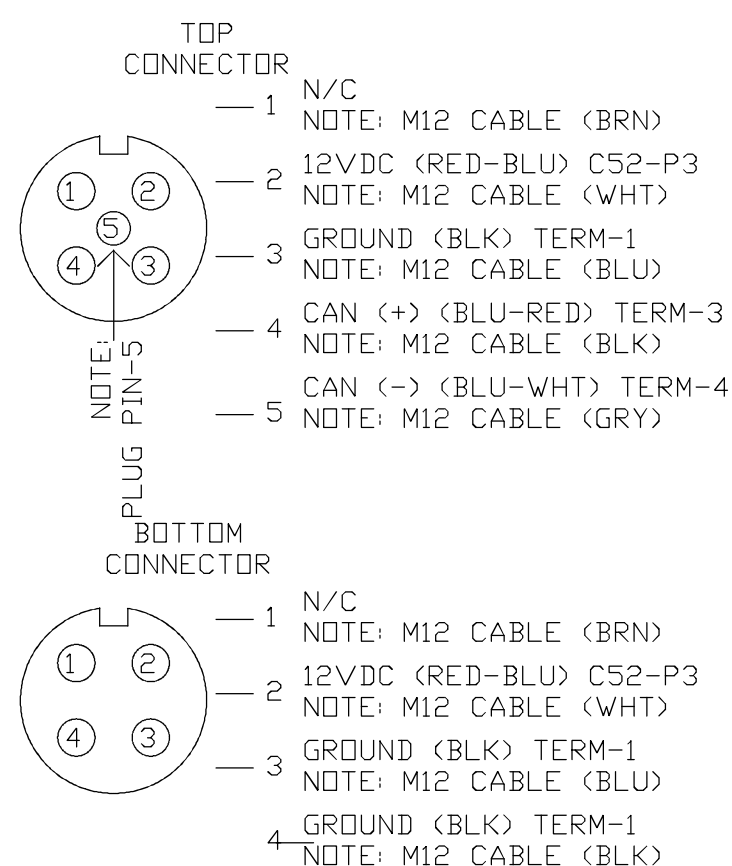
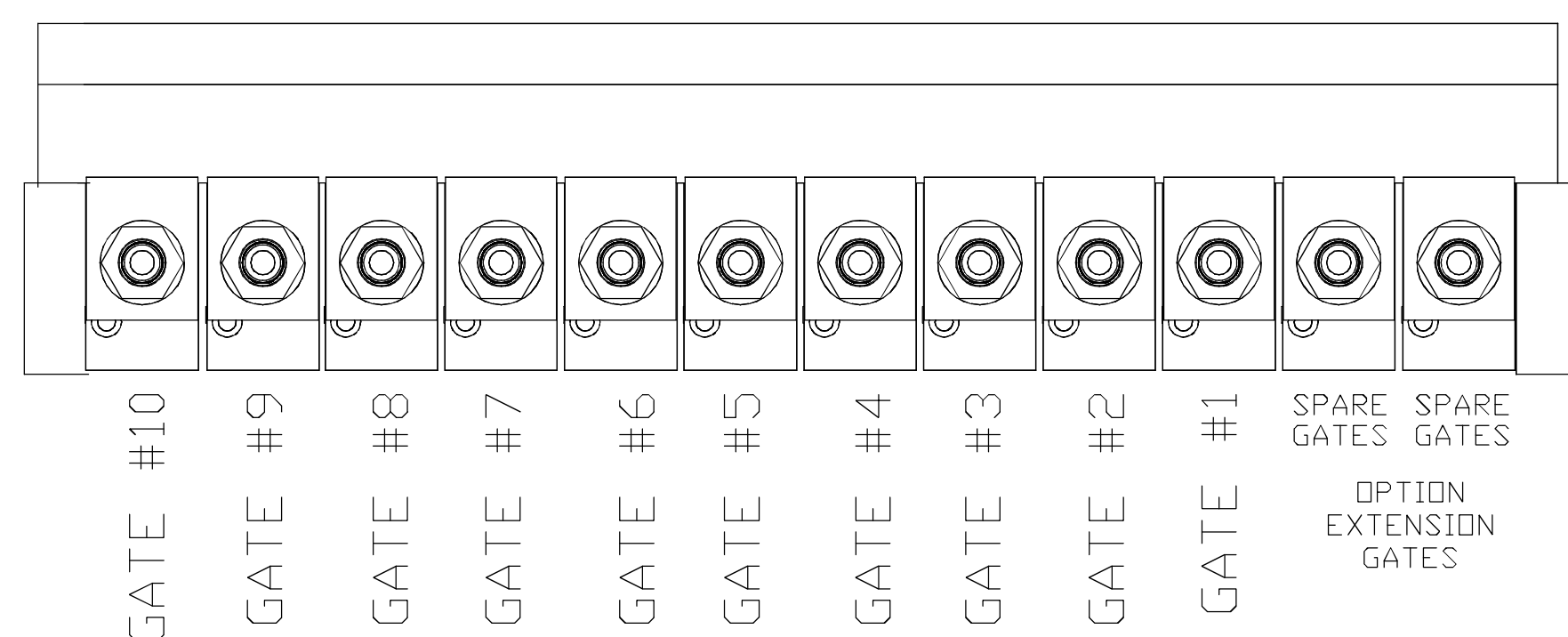
- C52
 1-LH AUGER ERROR WHT-RED-BRN (C30-P6)
 2-LH CAM ERROR WHT-DRG (C30-P2)
 3-NORGRN PWR RED-BLU
 4-LH CAM ON RED-BRN (C30-P4)
 5-LH CAM SIG WHT-BLU (C30-P1)
 6-LH AUGER ON WHT-BLK-BRN (C30-P8)
 7-LH AUGER SIG WHT-BRN (C30-P5)
 8-N/C
 9-N/C
 10-N/C
 11-12VDC RED-WHT (TERM 2)
 12-12VDC RED-WHT (TERM 2)



- C51
 1-GROUND BLK (TERM 1)
 2-12VDC RED-WHT (TERM 2)
 3-CAN + BLU-RED (TERM 3)
 4-CAN - BLU-WHT (TERM 4)
 5-N/C
 6-N/C
 7-CAM CLS SIG GRN (C27-P4)
 8-5VDC SNSR PWR YEL (C27-P1)
 9-GRND SNSR PWR BLU (C27-P3)
 10-AUGER SW WHT-PUR (C26-P2)
 11-CAM PPU SIG WHT (C27-P2)
 12-N/C



NORGRN AIR SOL. VALVES



C26-3PIN TO AUGER SW
 C27-4PIN TO CAM SNSR
 C30-8PIN TO CAM/AUGER VLVS
 C28-8PIN TO C13 SLAVE BOX

QTY	NEXT ASS'Y	MADE BY	BEARCAT
?---	??????????	APPROVED	
		MATERIAL	
	FINAL ASS'Y		
?---	??????????	DRAWING NO.	
		FINISH	

3650 SABIN BROWN RD.
WICKENBURG, AZ 85390
(928) 684-7851

TITLE
SCHE CHIP 2015 TIER 4
LH VLV BOX

PART NO.
210180

STANDARD	.X	.XX	.XXX	XXXX	ANG.	X/X	AUTHOR	RH	DATE	7-25-13
TOLERANCE	+0.02	+0.010	+0.003	+0.0005	+1.0°	+1/32	SCALE	NONE	SHEET	1 OF 1