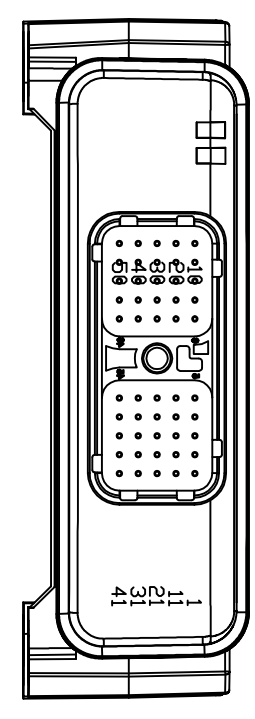
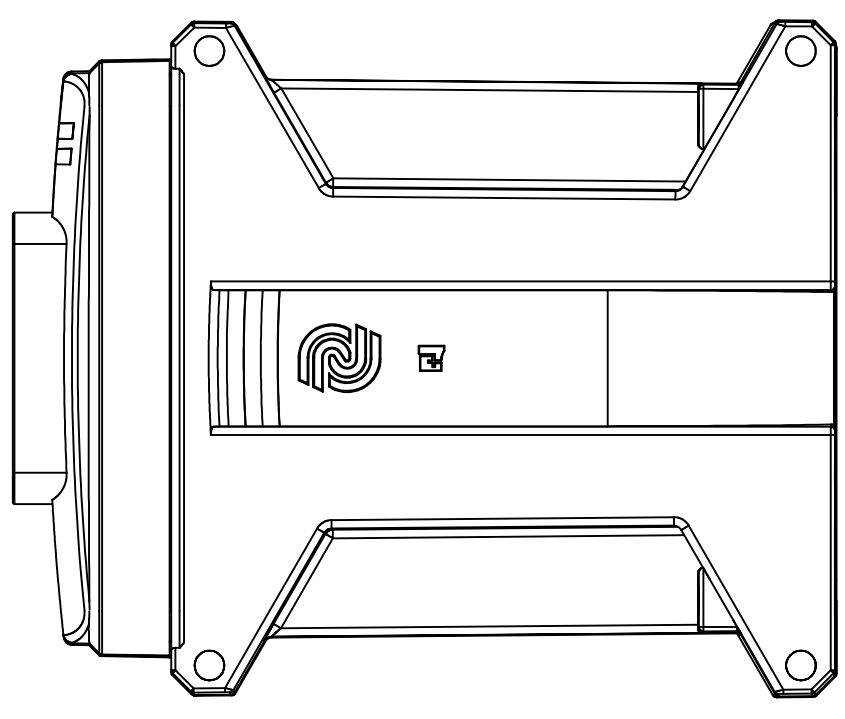


DETAIL 200483

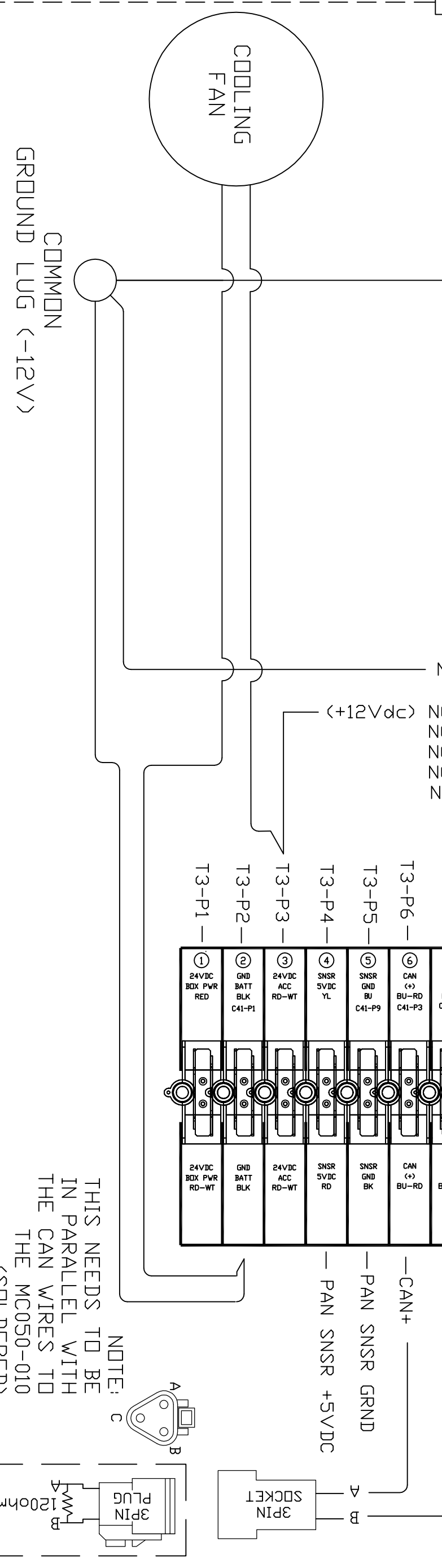
NODE 4
LH VLV BDX
MC050-010



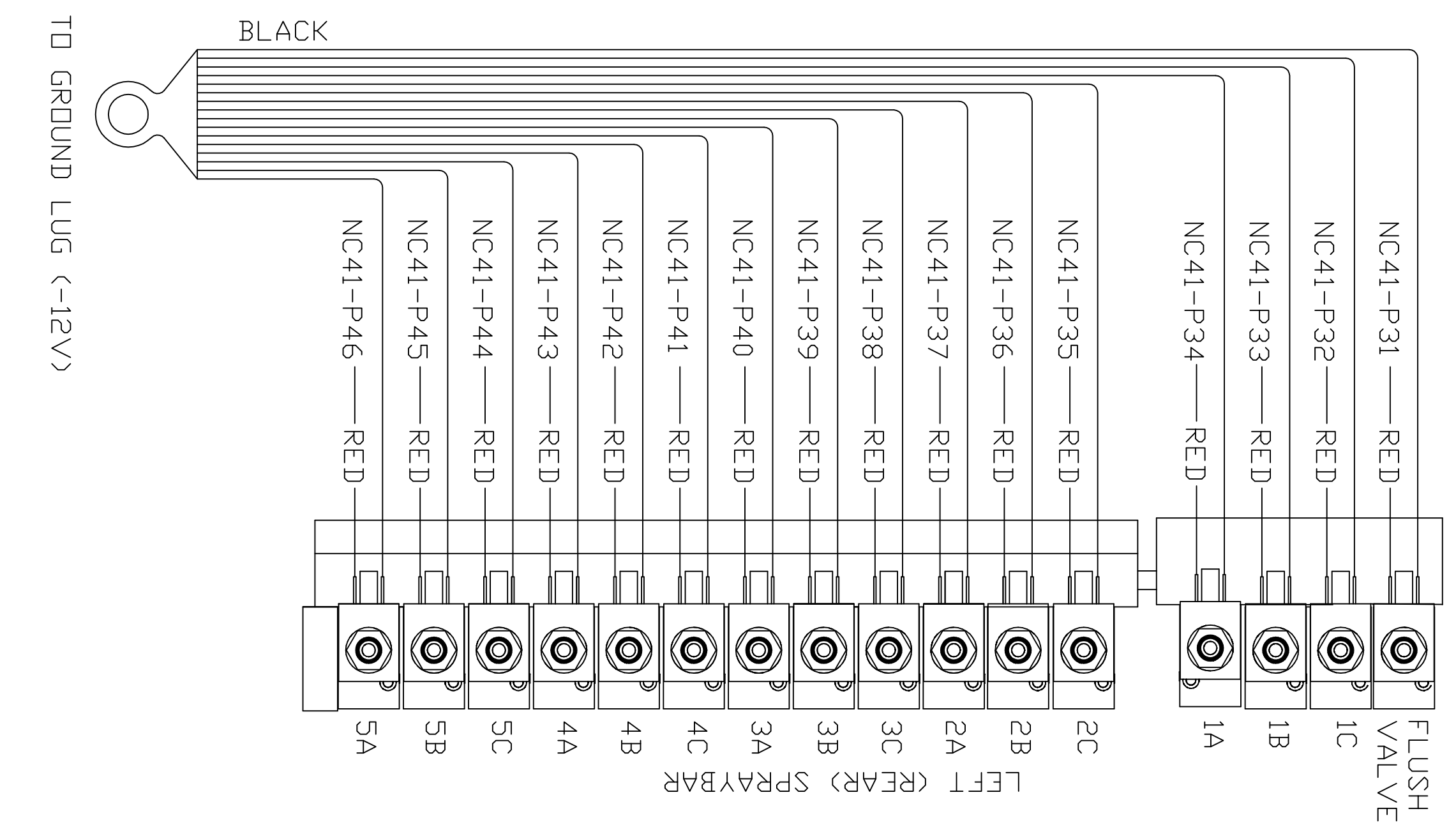
- PIN KEY NC-41
- 1-GRND (BLK) (TERM 2)
 - 2-RED/WHI (2V+ TERM 3)
 - 3-BLU/RED (CAN+ TERM 6)
 - 4-BLU/WHI (CAN- TERM 7)
 - 5-N/C
 - 6-N/C
 - 7-WHT/BLU (C14-P14) LDW HYD FLUID
 - 8-N/C
 - 9-N/C
 - 10-N/C
 - 11-WHT/BLK/GRN (C14-P24)
 - 12-WHT/BLK/BRN (C14-P23)
 - 13-WHT/BLK/BLU (C14-P22)
 - 14-N/C
 - 15-N/C
 - 16-WHT/BLK (C14-P21)
 - 17-N/C
 - 18-N/C
 - 19-N/C
 - 20-N/C
 - 21-N/C
 - 22-N/C
 - 23-N/C
 - 24-N/C
 - 25-N/C

- PIN KEY NC-41
- 26-N/C
 - 27-N/C
 - 28-N/C
 - 29-WHT/BLK/GRN (C14-P11) PRD Tnk TEMP SNSR
 - 30-WHT/BLK/BRN (C14-P9) LH SPRYBAR TEMP SNSR
 - 31-RED FLUSH VLV
 - 32-RED (C1)
 - 33-RED (1B)
 - 34-RED (1A)
 - 35-RED (2)
 - 36-RED (2B)
 - 37-RED (2C)
 - 38-RED (3)
 - 39-RED (3B)
 - 40-RED (3A)
 - 41-RED (4)
 - 42-RED (4B)
 - 43-RED (4A)
 - 44-RED (5)
 - 45-RED (5B)
 - 46-RED (5A)
 - 47-RED/WHI (2V+ TERM 3)
 - 48-RED/WHI (2V+ TERM 3)
 - 49-RED/WHI (2V+ TERM 3)
 - 50-RED/WHI (2V+ TERM 3)

- C14-24PIN (KEY-A) NODE-4 (SOCKET)
- C14-P24 — WHT-BLK-GRN — NC41-P11
 - C14-P23 — WHT-BLK-BRN — NC41-P12
 - C14-P22 — WHT-BLK-BLU — NC41-P13
 - C14-P21 — WHT-BLK — NC41-P16
 - C14-P20 — YEL — (SNSR +5Vdc)-T3-P4
 - C14-P19 —
 - C14-P18 —
 - C14-P17 —
 - C14-P16 —
 - C14-P15 — WHT-BLU (LDW HYD FLUID) — NC41-P7
 - C14-P14 — YEL (SNSR +5Vdc) T3-P4
 - C14-P13 — BLU (SNSR GRD) —
 - C14-P12 — (WHT-BLK-GRN) PRODUCT TANK TEMP SNSR NC41-P29
 - C14-P11 — BLU (SNSR GRD) —
 - C14-P10 — (WHT-BLK-BRN) LH S-BAR TEMP SNSR NC41-P30
 - C14-P9 — YEL (SNSR +5Vdc) T3-P4
 - C14-P8 — WHT-YEL-BLK PAN FEEDBACK — T3-P8
 - C14-P7 — BLU (SNSR GRD) —
 - C14-P6 — RED-WHT — +12Vdc — T3-P3
 - C14-P5 — BLU-WHT — (CAN -) — T3-P7
 - C14-P4 — BLU-RED — (CAN +) — T3-P6
 - C14-P3 — RED-WHT — T3-P3
 - C14-P2 — BLK —



NOTE:
THIS NEEDS TO BE
IN PARALLEL WITH
THE CAN WIRES TO
THE MC050-010
(SOLDERED)



NOTE:
THIS IS FOR
ROADTEC SP200
BEARCAT TANK
S/N 116 & UP 2006

QTY	NEXT ASS'Y	MADE BY	BEARCAT						
		APPROVED							
		MATERIAL							
		SEE PRINTED B.O.M.							
		FINISH							
		TITLE	SCHE ELC LH VLV BDX						
		PART NO.	SN116 & UP SP200						
			200483						
STANDARD	.X	.XX	.XXXXXXX	ANG.	X/X	AUTHDR	RTC	DATE	1/2/10
TOLERANCE	+0.2	+0.10	+0.03	+0.005	+1.0°	SCALE	NONE	SHEET	1 OF 1



3650 SABIN
BROWN RD.
WICKENBURG, AZ
85390