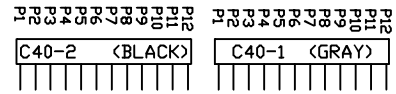
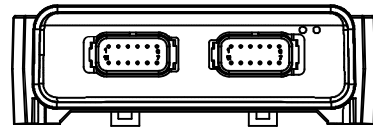
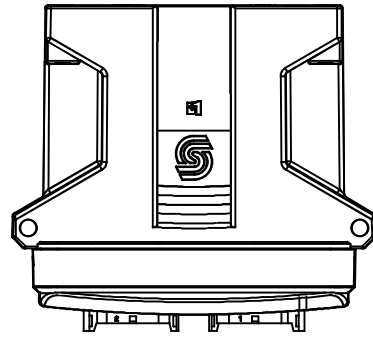


# DETAIL 200483

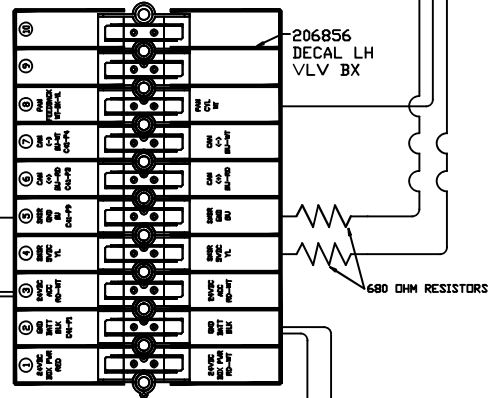
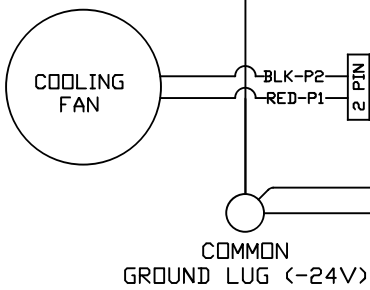
NODE 40  
LH VLV BOX  
IX024-010



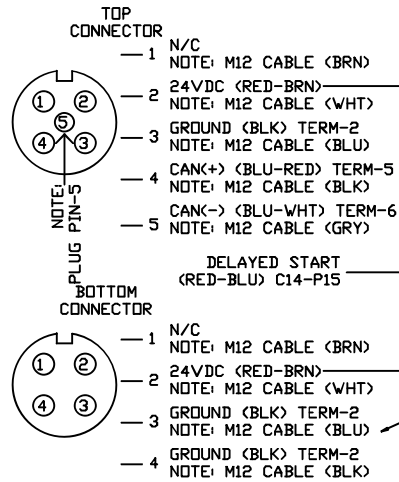
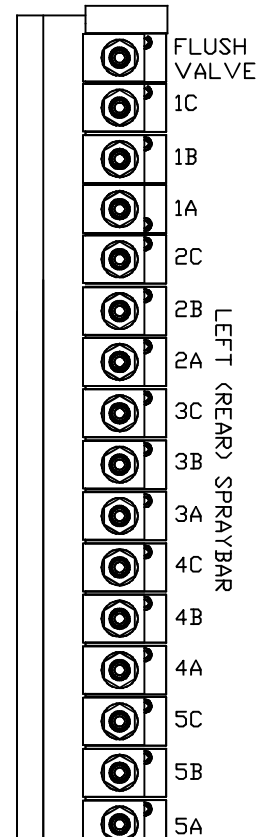
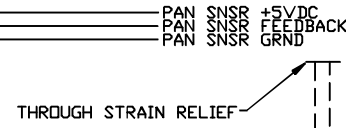
- C40-1 GRAY**  
 1-GROUND (BLK) (TERM 2)  
 2-12 VDC (RED-WHT) (TERM 3)  
 3-CAN + (BLU-RED) (TERM 6)  
 4-CAN - (BLU-WHT) (TERM 7)  
 5-NC  
 6-5 VDC SNSR PWR (YEL) (TERM 4)  
 7-SNSR GROUND (BLU) (TERM 5)  
 8-HYD LOW (WHT-BLU) (C14-P14)  
 9-NC  
 10-REVERSE SW (WHT-BLK-BLU) (C14-P22)  
 11-FORWARD SW (WHT-BLK-BRN) (C14-P23)  
 12-SELECT SW (WHT-BLK-GRN) (C14-P24)

- C40-2 BLACK**  
 1-NC  
 2-PUMP SPEED (WHT-BLK) (C14-P21)  
 3-NC  
 4-NC  
 5-N/C  
 6-NC  
 7-NC  
 8-NC  
 9-TANK TEMP (WHT-BLK-PUR) (C14-P11)  
 10-LH BAR TEMP (WHT-BLK-GRY) (C14-P9)  
 11-NC  
 12-NC

- C14-P24** — WHT-BLK-GRN SELECT SW — NC41-P12  
**C14-P23** — WHT-BLK-BRN PUMP FWD — NC41-P11  
**C14-P22** — WHT-BLK-BLU PUMP REV — NC41-P10  
**C14-P21** — WHT-BLK PUMP SPEED — NC42-P2  
**C14-P20** — YEL — (SNSR +5Vdc)-TERM 4  
**C14-P19**  
**C14-P18**  
**C14-P17**  
**C14-P16**  
**C14-P15**  
**C14-P14** — WHT-BLU (LOW HYD FLUID) — NC41-P7  
**C14-P13** — YEL (SNSR +5Vdc) T3-P4  
**C14-P12** — BLU (SNSR GRD)  
**C14-P11** — (WHT-BLK-PUR) PRODUCT TANK TEMP SNSR NC42-P9  
**C14-P10** — BLU (SNSR GRD)  
**C14-P9** — (WHT-BLK-GRY) LH S-BAR TEMP SNSR NC42-P10  
**C14-P8** — YEL (SNSR +5Vdc) T3-P4  
**C14-P7** — WHT-YEL-BLK PAN FEEDBACK — TERM 8  
**C14-P6** — BLU (SNSR GRD)  
**C14-P5** — RED-BLU NORGREN POWER SPLICE TO WHT WIRES  
**C14-P4** — BLU-WHT (CAN -) — TERM 7  
**C14-P3** — BLU-RED (CAN +) — TERM 6  
**C14-P2** — RED-WHT — TERM 3  
**C14-P1** — BLK



NOTE:  
THIS NEEDS TO BE  
IN PARALLEL WITH  
THE CAN WIRES TO  
THE IX024-010  
(SOLDERED)



NOTE:  
THIS IS FOR  
ROADTEC SP200  
BEARCAT TANK  
S/N 121 & UP 2012

QTY	NEXT ASS'Y	MADE BY	BEARCAT
		APPROVED	
		MATERIAL	
		SEE PRINTED B.O.M.	
	FINAL ASS'Y		
		FINISH	
STANDARD	.X	.XX	.XXX
TOLERANCE	+0.02	+0.10	+0.03
		ANG.	X/X
			+1.0°
			+1/32
AUTHOR	RTC	DATE	1/2/10
SCALE	NONE		SHEET 1 OF 1

3650 SABIN  
BROWN RD.  
WICKENBURG, AZ  
85390  
(928) 684-7851

TITLE  
SCHE ELC LH VLV BOX  
SN121 & UP SP200

PART NO.  
208879