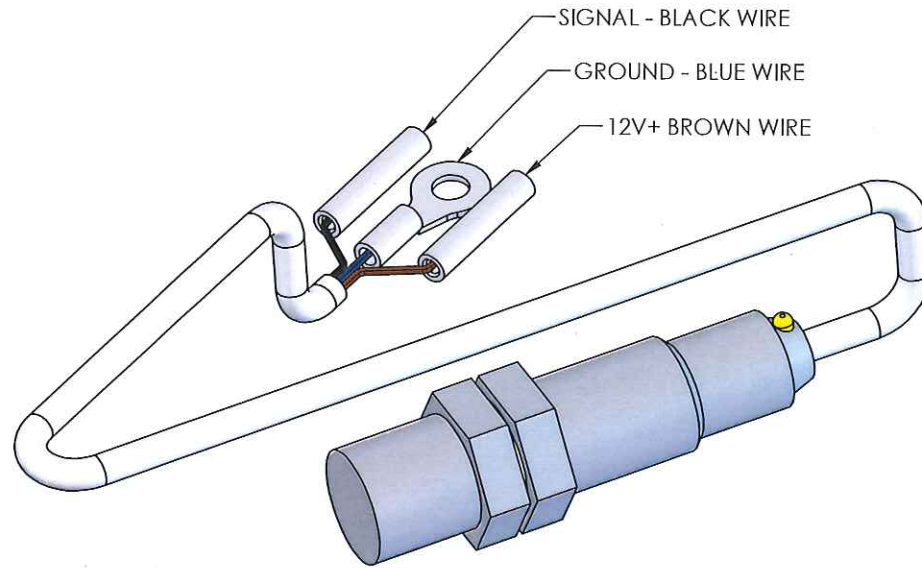



NOTE: CUT LENGTH TO 10", STRIP ENDS CRIMP & SOLDER

REVISIONS				
ZONE	REV.	DESCRIPTION	DATE	APPROVED
	A	ADDED BLUE WIRE & CUT LENGTH FROM FULL TO 10"	4/21/2014	BM/RH/JDC
	B	MADE FROM PART TO ASM & CHANGED SENSOR FROM 205731 TO 211772	8-14-14	DM/BM
	C	CHANGED TO BUY PART. IT WILL COME IN WITH CONNECTORS INSTALLED	9/10/2014	BY/BM
	D	REMOVED BOM	5-5-15	DM/BM
	E	ADDED COLOR CALL-OUT BROWN & BLACK	6/6/2016	



CONVERSION CHART	
1/16" = .0625	9/16" = .5625
1/8" = .125	5/8" = .625
3/16" = .1875	11/16" = .6875
1/4" = .250	3/4" = .750
5/16" = .3125	13/16" = .8125
3/8" = .375	7/8" = .875
7/16" = .4375	15/16" = .9375
1/2" = .50	1" = 1.00



**BearCat Mfg.**  
PROPRIETARY AND CONFIDENTIAL  
 THE INFORMATION CONTAINED IN THIS DRAWING IS THE SOLE PROPERTY OF BEARCAT MANUFACTURING. ANY REPRODUCTION IN PART OR AS A WHOLE WITHOUT THE WRITTEN PERMISSION OF BEARCAT MANUFACTURING IS PROHIBITED.

UNLESS OTHERWISE SPECIFIED:	NAME	DATE
DIMENSIONS ARE IN INCHES TOLERANCES: FRACTIONAL ± 1/32 ANGULAR: MACH ± 1.0° BEND ± TWO PLACE DECIMAL ± .02 THREE PLACE DECIMAL ± .003	DRAWN DM	8-14-14
INTERPRET GEOMETRIC TOLERANCING PER: ANSI	CHECKED	
MATERIAL	ENG APPR. BM	
FINISH N/A	DO NOT SCALE DRAWING	
	MAKE OR BUY:	B

**BEARCAT MFG.**

TITLE:  
 MODIFIED SENSOR PROX AM1-AP-4A  
 PNP THRD 12MM FOR LIMIT SWITCH

Sensors Electrical

SIZE <b>A</b>	DWG. NO. <b>207745</b>	REV <b>E</b>
------------------	---------------------------	-----------------

SCALE: NONE    WEIGHT: 0.05    SHEET 1 OF 1