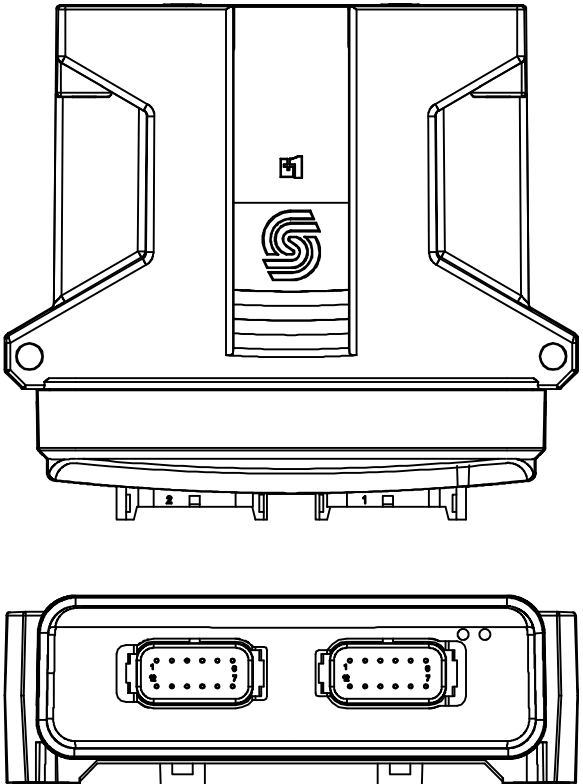


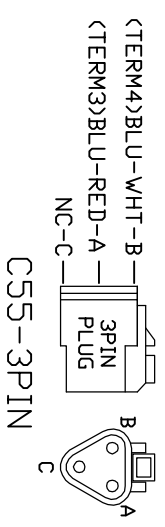
MC24-010  
CRC-4  
NODE-5



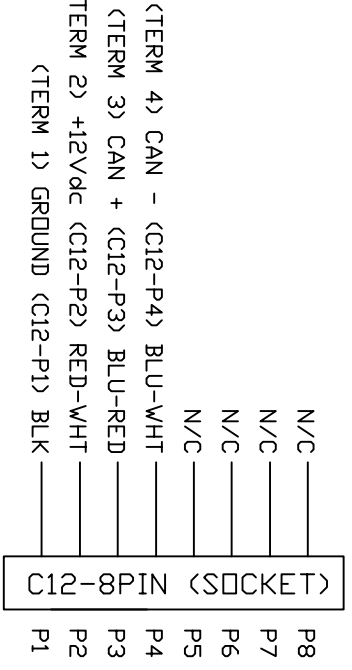
P12	C52 (BLK)	Function
P12	(C52-P12)	NC
P11	(C52-P11)	NC
P10	(C52-P10)	NC
P9	(C52-P9)	NC
P8	(C52-P8)	MASTER WHT-RED-BRN
P7	(C52-P7)	PUMP REV WHT-BLK-BRN
P6	(C52-P6)	PUMP FORW. WHT-BLK-RED
P5	(C52-P5)	VALVE 10 WHT-GRN-BRN
P4	(C52-P4)	VALVE 9 WHT-BLK-DRG
P3	(C52-P3)	VALVE 8 WHT-GRN
P2	(C52-P2)	VALVE 7 WHT-BLK-YEL
P1	(C52-P1)	VALVE 6 WHT-RED

P11	C51 (GRAY)	Function
P11	(C51-P11)	VALVE 5 WHT-BRN
P10	(C51-P10)	VALVE 4 WHT-BLU
P9	(C51-P9)	VALVE 3 WHT-BLK-GRN
P8	(C51-P8)	NC
P7	(C51-P7)	VALVE 2 WHT-DRG
P6	(C51-P6)	VALVE 1 WHT-BLK-BLU
P5	(C51-P5)	NC
P4	(C51-P4)	CAN- BLU-WHT
P3	(C51-P3)	CAN+ BLU-RED
P2	(C51-P2)	RED-WHT TD TERM 2
P1	(C51-P1)	BLK TD TERM 1

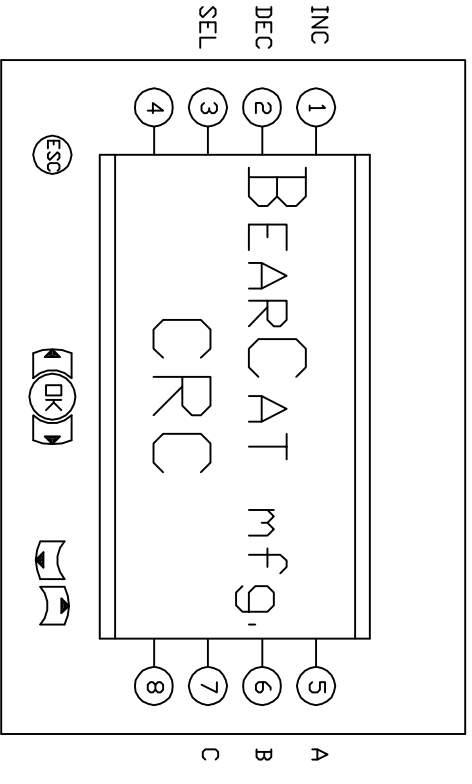


NOTE:  
THIS NEEDS TO BE IN PARALLEL WITH THE CAN WIRES TO THE MC024-010 (SOLDERED)



C12-8PIN

RH DISPLAY  
NODE-7

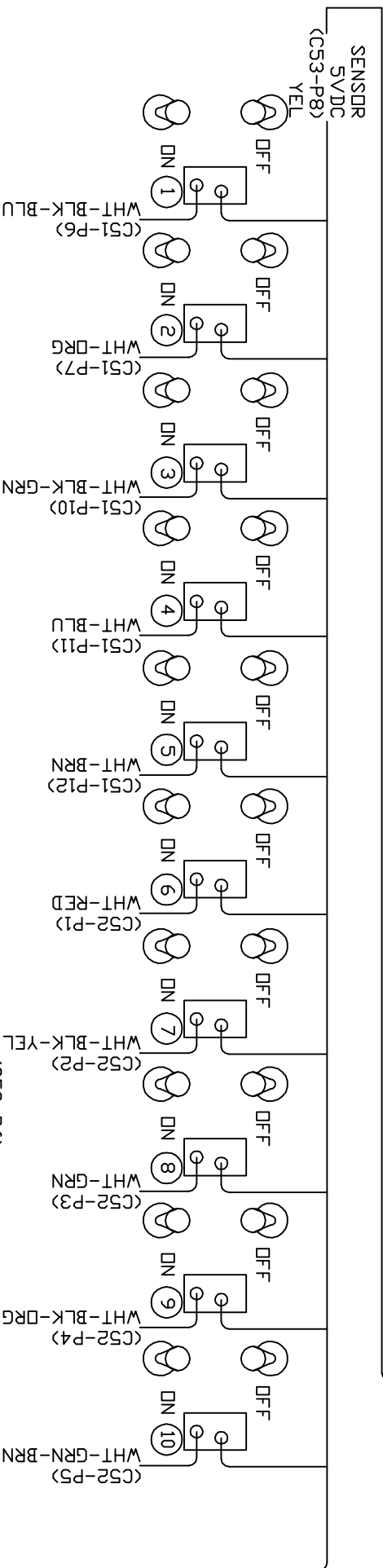
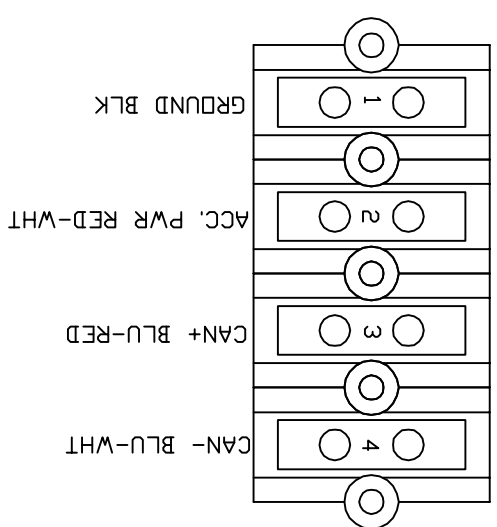


P12	(C53-P12)	Function
P12	(C53-P12)	NC
P11	(C53-P11)	NC
P10	(C53-P10)	NC
P9	(C53-P9)	NC
P8	(C53-P8)	SVDC+ YEL
P7	(C53-P7)	CAN- BLU-WHT TD TERM 4
P6	(C53-P6)	CAN+ BLU-RED TD TERM 3
P5	(C53-P5)	NC
P4	(C53-P4)	NC
P3	(C53-P3)	NC
P2	(C53-P2)	RED-WHT TD TERM 2
P1	(C53-P1)	BLK TD TERM 1

P6	C54-6PIN	Function
P6	(C54-P6)	NC
P5	(C54-P5)	NC
P4	(C54-P4)	NC
P3	(C54-P3)	NC
P2	(C54-P2)	NC
P1	(C54-P1)	NC

NDT  
USED



QTY	NEXT ASSY	MADE BY	BEARCAT
APPROVED			
MATERIAL	SEE PRINTED B.O.M.		
FINISH	FINISH		
DATE	11-28-06	AUTHOR	RTC
SHEET	06	SCALE	NONE
TITLE: MC24-010 ELC OPER PANEL RH SNI04&UP SP200 PART NO.: 200648			

STANDARD X XX XXXXXXXX LANG X/X  
TOLERANCE ±.01 ±.015 ±.005 ±.0005 ±.07 ±.1/32