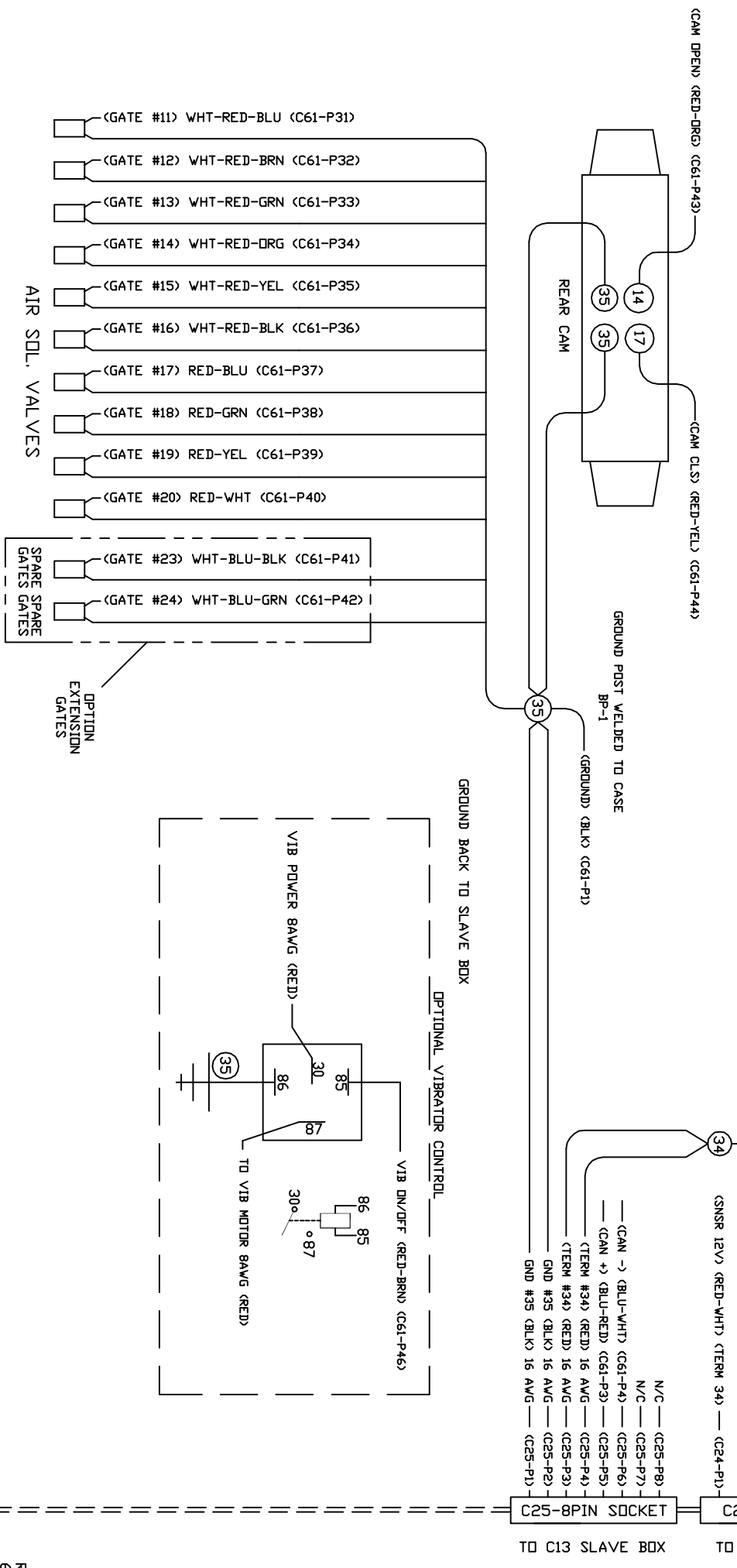


- PIN KEY NC-61**
- 1-GRND (BLK) TERM 35
 - 2-RED (12V+) TERM 34
 - 3-BLU/RED (CAN+) C25-P5
 - 4-BLU/WHT (CAN-) C25-P6
 - 5-N/C
 - 6-N/C
 - 7-N/C
 - 8-N/C
 - 9-N/C
 - 10-N/C
 - 11-N/C
 - 12-N/C
 - 13-N/C
 - 14-N/C
 - 15-WHT/BLU AUGER SW C23-P2
 - 16-N/C
 - 17-GRN/BLK CAM CLOSE SIG C24-P4
 - 18-GRN/YEL CAM MTR PPU C24-P2
 - 19-N/C
 - 20-N/C
 - 21-N/C
 - 22-N/C
 - 23-N/C
 - 24-N/C
 - 25-N/C
- PIN KEY NC-61**
- 26-N/C
 - 27-N/C
 - 28-N/C
 - 29-N/C
 - 30-N/C
 - 31-RED (GATE 11)
 - 32-RED (GATE 12)
 - 33-RED (GATE 13)
 - 34-RED (GATE 14)
 - 35-RED (GATE 15)
 - 36-RED (GATE 16)
 - 37-RED (GATE 17)
 - 38-RED (GATE 18)
 - 39-RED (GATE 19)
 - 40-RED (GATE 20)
 - 41-RED (GATE 23)
 - 42-RED (GATE 24 OPT EXT)
 - 43-RED/DRG (CAM OPEN) HYD VLV TERM 14
 - 44-RED/YEL (CAM CLOSE) HYD VLV TERM 17
 - 45-N/C
 - 46-N/C
 - 47-RED (12V+ TERM BLDCK 34)
 - 48-RED (12V+ TERM BLDCK 34)
 - 49-RED (12V+ TERM BLDCK 34)
 - 50-RED (12V+ TERM BLDCK 34)



- AIR SDL VALVES**
- (GATE #11) WHT-RED-BLU (C61-P31)
 - (GATE #12) WHT-RED-BRN (C61-P32)
 - (GATE #13) WHT-RED-GRN (C61-P33)
 - (GATE #14) WHT-RED-DRG (C61-P34)
 - (GATE #15) WHT-RED-YEL (C61-P35)
 - (GATE #16) WHT-RED-BLK (C61-P36)
 - (GATE #17) RED-BLU (C61-P37)
 - (GATE #18) RED-GRN (C61-P38)
 - (GATE #19) RED-YEL (C61-P39)
 - (GATE #20) RED-WHT (C61-P40)
- OPTION EXTENSION GATES**
- (GATE #23) WHT-BLU-BLK (C61-P41)
 - (GATE #24) WHT-BLU-GRN (C61-P42)

REVISION NOTES:
6-17-09 AIR SDL ARRANGED TO SHOW VISUAL POSITION RTC
1/27/10 ADDED CAM CLS SIG TO CONNECTOR C-24

QTY	NEXT ASSY	MADE BY	BEARCAT
?	?????????	APPROVED	
		MATERIAL	
		SEE PRINTED B.D.M.	
		DRAWING NO.	
		FINISH	
		PART NO.	200658
		TITLE	SCHE ELC WIRE PLUS1 VLV BDX RH TDM 08-NWR
			BEARCAT MFG. (928) 684-7851
			3650 SABIN BROWN RD. WICKENBURG, AZ 85390
STANDARD	.X	.XX	.XXX
TOLERANCE	+0.02	+0.10	+0.03
			ANG. X/X
			+1.0°
			+1/32
			SCALE
			NDNE
			SHEET 1 OF 1
			DATE 1-27-11
			FHK
			AUTHOR