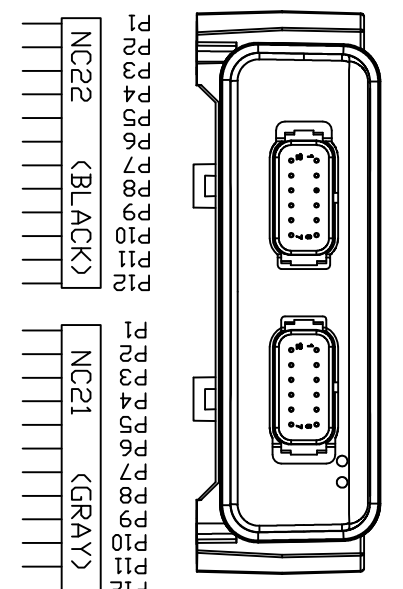
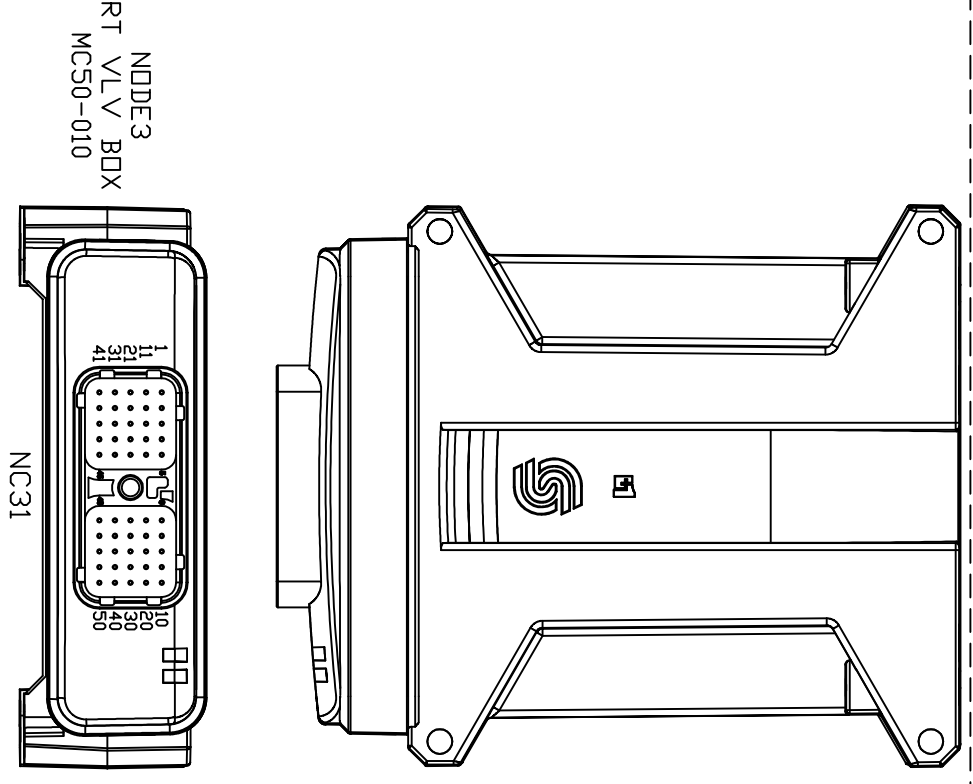
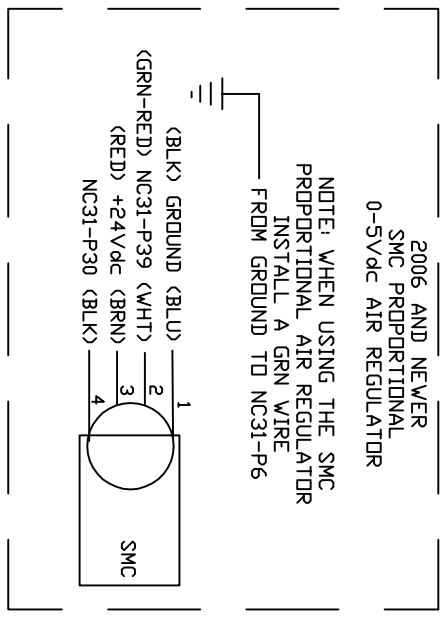
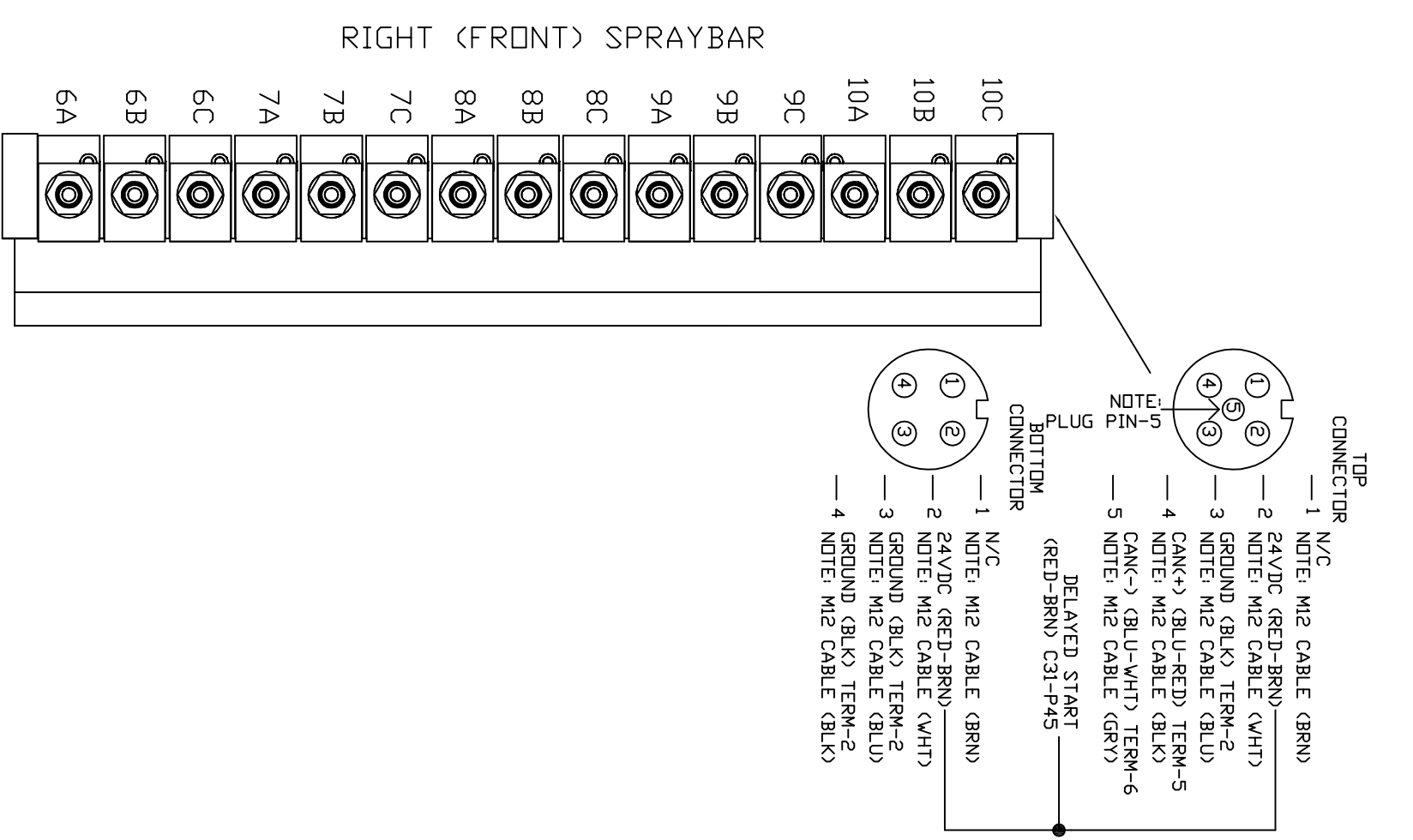
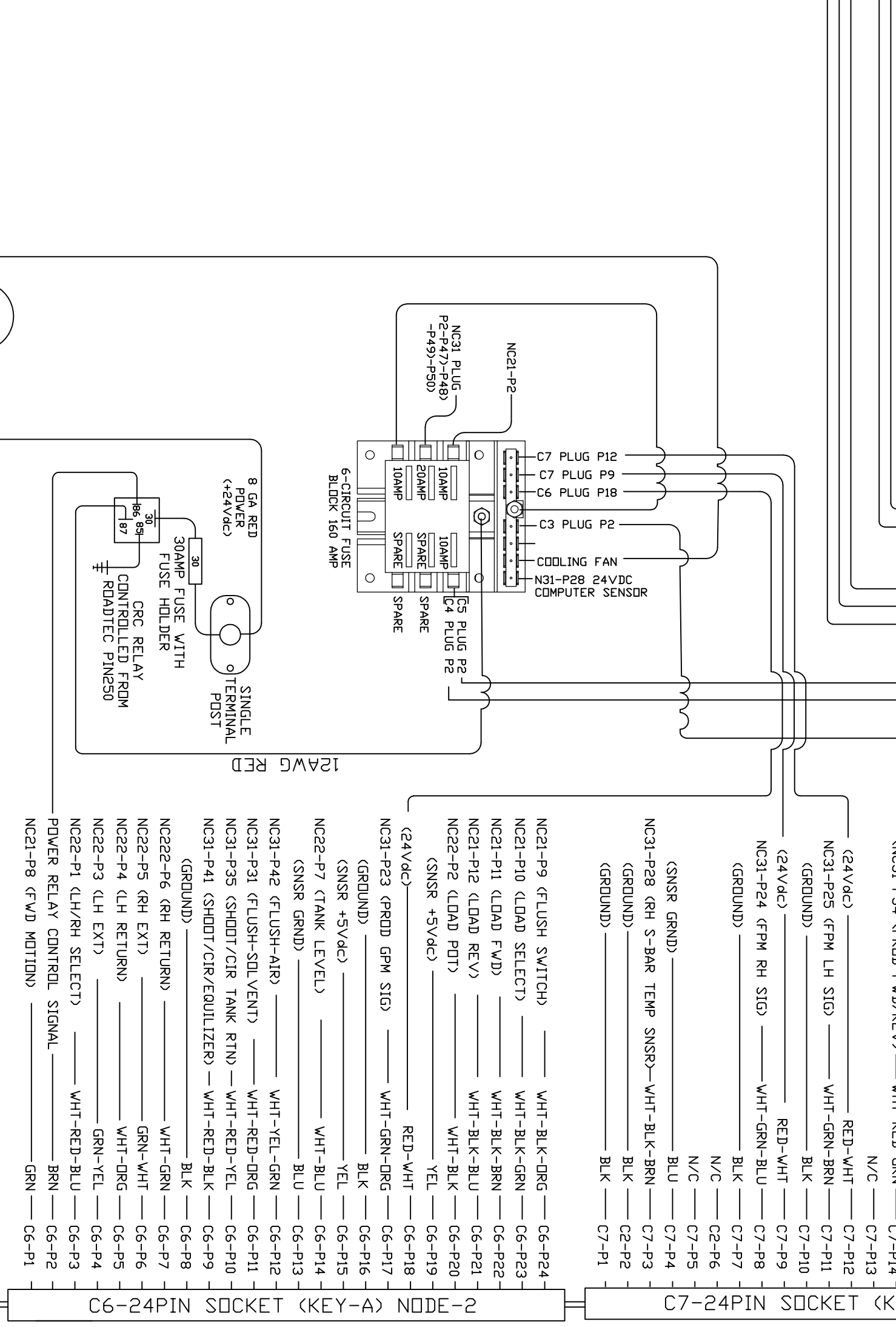
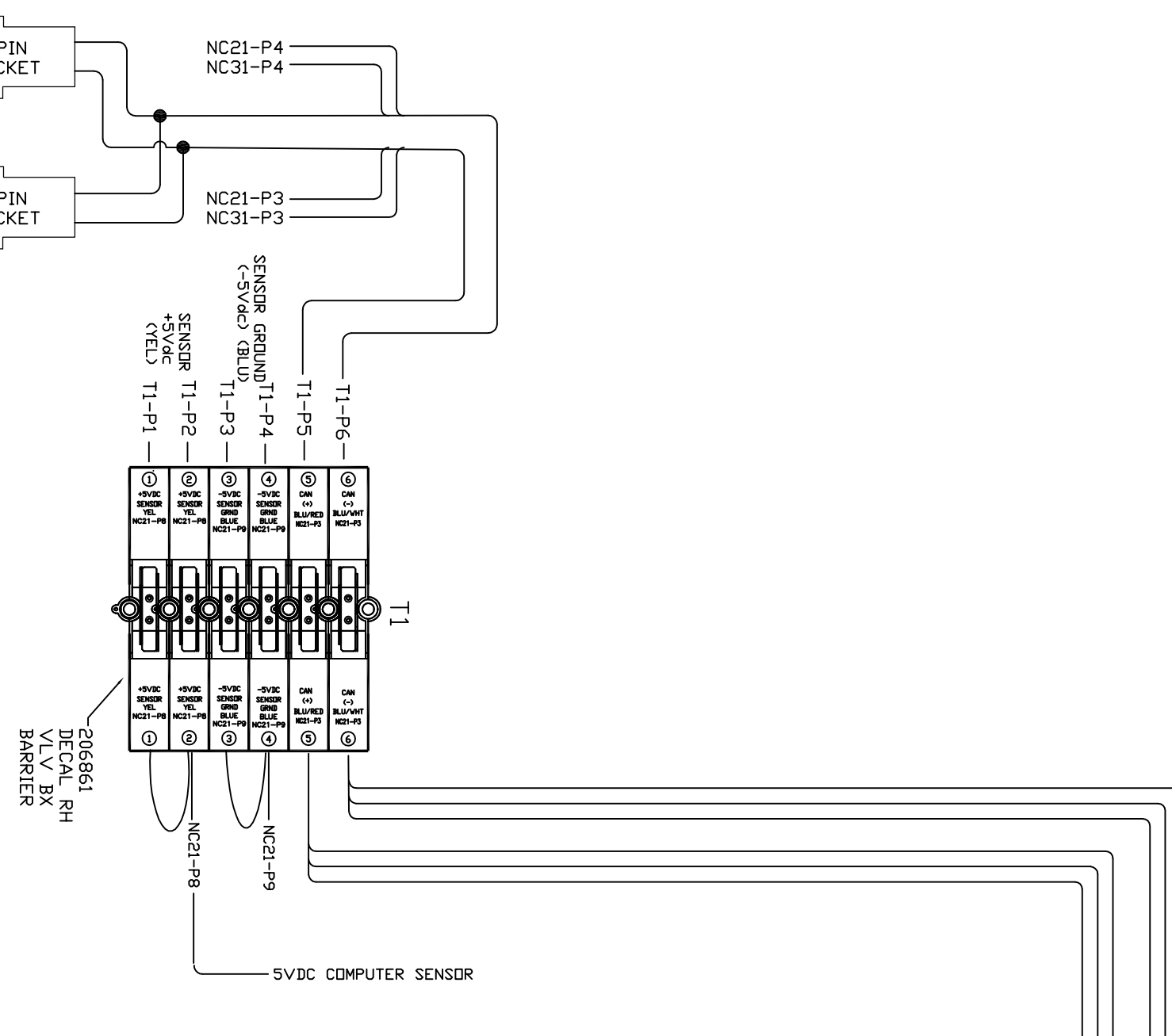


NOTE:
MACHINE WIRING FOR
SP200 SPRAY-PAVER
S/N 121 & UP 2012



- PIN KEY NC-31
- 1- GND (BLK)
 - 2- RED/WHT 24V+ (TD FUSE BLOCK)
 - 3- BLU/RED (CAN- TERM 5)
 - 4- BLU/WHT (CAN- TERM 6)
 - 5- N/C
 - 6- N/C
 - 7- N/C
 - 8- N/C
 - 9- N/C
 - 10- N/C
 - 11- N/C
 - 12- WHT/BLK/SIL (C6-P7) FWD MOTION IN
 - 13- WHT/SIL (C6-P8) SPEED PAVE
 - 14- WHT/PUR (C6-P9) NEUTRAL IN
 - 15- WHT/RED (C6-P10) FAN FEEDBACK
 - 16- N/C
 - 17- N/C
 - 18- N/C
 - 19- N/C
 - 20- N/C
 - 21- N/C
 - 22- WHT/GRN/BLU (C7-P8) FPM RH SIG
 - 23- WHT/GRN/BLU (C7-P10) FPM LH SIG
 - 24- WHT/GRN/BLU (C7-P11) FPM LH SIG
 - 25- WHT/GRN/BRN (C7-P12) FPM LH SIG
- PIN KEY NC-31
- 26- N/C
 - 27- N/C
 - 28- WHT/BLK/BRN (C7-P3) RH BAR TEMP
 - 29- N/C
 - 30- BLK/RED/GRN (C6-P10) FLUSH SW
 - 31- BLK/RED/GRN (C6-P11) FLUSH SW
 - 32- RED (C7-P2) HOT OIL PWR RELAY
 - 33- RED-BLU LH NDGR PWR
 - 34- RED-BRN RH NDGR PWR
 - 35- WHT/RED/TEL (C6-P10) SHOOT/GR/TNK
 - 36- WHT/RED/TEL (C6-P11) SHOOT/GR/TNK
 - 37- RED/WHT (C7-P12) FAN CYL EXT
 - 38- WHT/RED (C7-P13) FAN CYL EXT
 - 39- RED/GRN (C6-P10) PROD PWR
 - 40- RED/GRN (C6-P10) PROD PWR
 - 41- WHT/TEL/GRN (C6-P12) FLUSH AIR
 - 42- WHT/TEL/GRN (C6-P12) FLUSH AIR
 - 43- RED/BLU (C7-P19) L/DAD PMP
 - 44- N/C
 - 45- WHT/RED/GRN (C7-P19) PROD FWD/REV
 - 46- WHT/RED/GRN (C7-P19) PROD FWD/REV
 - 47- RED-WHT 24V+ FUSE BLOCK
 - 48- RED-WHT 24V+ FUSE BLOCK
 - 49- RED-WHT 24V+ FUSE BLOCK
 - 50- RED-WHT 24V+ FUSE BLOCK

- NC21 (GRAY)
- 1- GROUND (BLK) (GROUND STUD)
 - 2- 24VDC (RED-WHT) (FUSE BLOCK)
 - 3- CAN + (BLU-RED) (TERM 5)
 - 4- CAN - (BLU-WHT) (TERM 6)
 - 5- N/C
 - 6- 5V SNR PWR (YEL) (TERM 1-2)
 - 7- 5V SNR GND (BLU) (TERM 3-4)
 - 8- FWD MOTION (GRN) (C6-P1)
 - 9- FLUSH SW (WHT-BLK-DRG) (C6-P2)
 - 10- L/DAD SELECT (WHT-BLK-GRN) (C6-P23)
 - 11- L/DAD FWD (WHT-BLK-BRN) (C6-P22)
 - 12- L/DAD REV (WHT-BLK-BLU) (C6-P21)
- NC22 (BLACK)
- 1- LH/RH SELECT (WHT-RED-BLU) (C6-P3)
 - 2- L/DAD PDT (WHT-BLK) (C6-P20)
 - 3- LH EXT (GRN-YEL) (C6-P4)
 - 4- LH RET (WHT-DRG) (C6-P5)
 - 5- RH EXT (GRN-WHT) (C6-P6)
 - 6- RH RET (WHT-GRN) (C6-P7)
 - 7- TANK SNR (WHT-BLU) (C6-P14)
 - 8- STRING PDT (GRN-DRG) (C7-P23)
 - 9- N/C
 - 10- N/C
 - 11- N/C
 - 12- N/C



- FOR HARNESS TO RH CONTROL STATION
- C3-P21 (CAN -) — BLU-BLK — P12
 - C3-P20 (CAN +) — BLU-YEL — P11
 - N/C — C4-P7
 - N/C — C4-P6
 - N/C — C4-P5
 - N/C — C4-P4
 - N/C — C4-P3
 - N/C — C4-P2
 - N/C — C4-P1
- FOR HARNESS TO LH VALVE BOX
- SNR +5Vdc — YEL — C3-P8
 - NC31-P15 (CAN FEEDBACK) — WHT-YEL-BLK — C3-P7
 - SNR GND — BLU — C3-P6
 - C31-P46 (LH NDGR PWR) — RED-BLU — C3-P5
 - C3-P4 (CAN -) — BLU-WHT — C3-P4
 - C3-P3 (CAN +) — BLU-RED — C3-P3
 - RED-WHT — C3-P2
 - BLK — C3-P1
- +24VDC FROM STRIP — C4-P4 (CAN -) — BLU-WHT — C4-P3
- +24VDC FROM STRIP — C4-P3 (CAN +) — BLU-RED — C4-P2
- GROUND (-24VDC) — BLK — C4-P1
- FOR HARNESS TO LH CONTROL STATION
- C31-P14 (NEUTRAL_IN) — WHT-PUR — P9
 - C31-P13 (SPEED_PAVE) — WHT-SIL — P8
 - C31-P12 (FWD_MOTION_IN) — WHT-BLK-SIL — P7
 - N/C — P6
 - N/C — P5
 - N/C — P4
 - N/C — P3
 - N/C — P2
 - N/C — P1
- NC21-P9 (FLUSH SWITCH) — WHT-BLK-DRG — C6-P24
- NC21-P10 (L/DAD SELECT) — WHT-BLK-GRN — C6-P23
- NC21-P11 (L/DAD FWD) — WHT-BLK-BRN — C6-P22
- NC21-P12 (L/DAD REV) — WHT-BLK-BLU — C6-P21
- NC22-P2 (L/DAD PDT) — YEL — C6-P19
- (SNR +5Vdc) — TEL — C6-P18
- (24Vdc) — WHT-GRN-DRG — C6-P17
- (GROUND) — BLK — C6-P16
- (SNR +5Vdc) — YEL — C6-P15
- NC22-P7 (TANK LEVEL) — WHT-BLU — C6-P14
- (SNR GND) — BLU — C6-P13
- NC31-P42 (FLUSH-AIR) — WHT-YEL-GRN — C6-P12
- NC31-P31 (FLUSH-SOL-VENT) — WHT-RED-GRN — C6-P11
- NC31-P25 (SHOOT/GR/TNK RTN) — WHT-RED-YEL — C6-P10
- NC31-P41 (SHOOT/GR/TNK) — WHT-RED-BLK — C6-P9
- (GROUND) — BLK — C6-P8
- NC22-P6 (RH RETURN) — WHT-GRN — C6-P7
- NC22-P5 (GRN EXT) — GRN-WHT — C6-P6
- NC22-P4 (LH RETURN) — WHT-DRG — C6-P5
- NC22-P3 (LH EXT) — GRN-YEL — C6-P4
- NC22-P1 (LH/RH SELECT) — WHT-RED-BLU — C6-P3
- POWER RELAY CONTROL SIGNAL — BRN — C6-P2
- NC21-P8 (FWD MOTION) — GRN — C6-P1

QTY	NEXT ASSY	MADE BY	BEARCAT
	APPROVED		
	MATERIAL		
	SEE PRINTED B.O.M.		
	FINISH		
	TITLE		
	SCH ELC RH VLV BOX		
	SN3000 & UP SP200		
	PART NO.		
	208878		
	STANDARD		
	X .XX .XXX XXXX ANG. X/X		
	TOLERANCE		
	+ .03 -0.15 1.005 1.0003 ± 0.1 ± 1/32		
	AUTHOR		
	RH		
	SCALE		
	NONE		
	SHEET		
	OF		

REV050708 ADDED ENGINE 12 PIN SOCKET JDC/RTC
REV060606 MDED COMPONENTS TO MATCH ASM JDC/RTC

REV041211 ADDED BLK WIRE TERM 4 PRDP AIR REG
TO NC31-P30 JDC/RTC

REV092310 CHANGED FROM CIRCUIT BREAKERS TO
6-POLE FUSE BLOCK 8GA RED 12V+ WIRE &
8 GA BLACK NEGATIVE WITH TERMINAL POST
RTC/THK

REV061112 REPLACED M50-010 (NODE 2) WITH A 1X024-010
AND UPDATED VERSA VALVES TO NDGRN RH

REV031212 REMOVED AIR PROPORTIONAL REGULATOR
NO LINGER IN PRODUCTION RH

REV111611 CHGED NODE WIRESS P27 TO P17 P28 TO P18
P29 TO P19 & P30 TO P23 FHK/RTC

DETAIL 208878