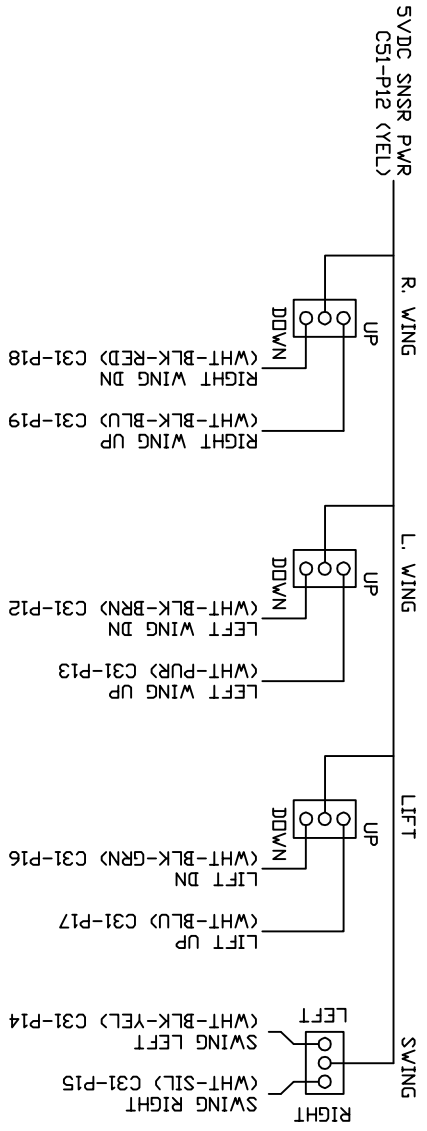


NOTE: LOOKING AT BACK OF DDDR



- 5VDC SNSR PWR (YEL) (C51-P12) — C60-P12
- N/C (CLR) (C#-P#) — C60-P11
- N/C (CLR) (C#-P#) — C60-P10
- N/C (CLR) (C#-P#) — C60-P9
- LH WING DN (WHT-BLK-BRN) (C31-P12) — C60-P8
- LH WING UP (WHT-PUR) (C31-P13) — C60-P7
- SWING LEFT (WHT-BLK-YEL) (C31-P14) — C60-P6
- SWING RIGHT (WHT-SIL) (C31-P15) — C60-P5
- LH WING UP (WHT-BLK-GRN) (C31-P16) — C60-P4
- LH WING DN (WHT-BLU) (C31-P17) — C60-P3
- RH WING UP (WHT-BLK-RED) (C31-P18) — C60-P2
- RH WING DN (WHT-BLK-BLU) (C31-P19) — C60-P1

C70-12PIN SOCKET

FINISH ASSY MADE BY	BERNARD
DATE APPROVED	2-27-2008
MATERIAL	SEE PRINTED B.O.M.
FINAL ASSY	2-27-2008
FINISH	2-27-2008
SCHEMATIC	SCHWAB
ELECTRIC	204907
REAR	204907
CONTROL BOX	204907
TRK	204907
STANDARD	204907
NO. OF PAGES	12
NO. OF SHEETS	12

Rev: 10/27/10 Changed Swing Left/Right Dn Switch to Match Looking at Back of Lhd.