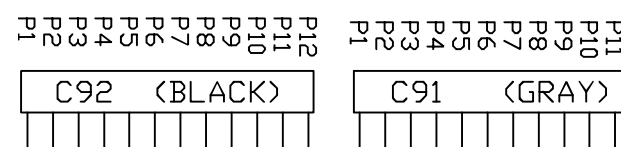
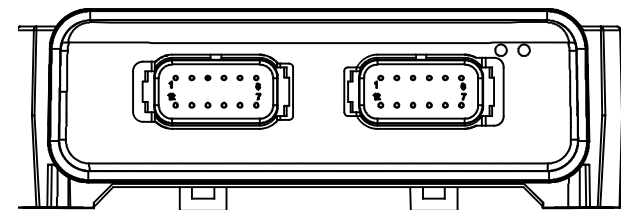
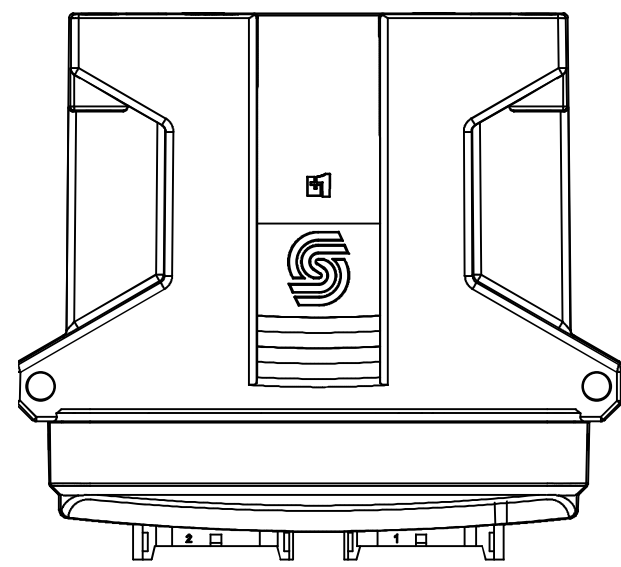


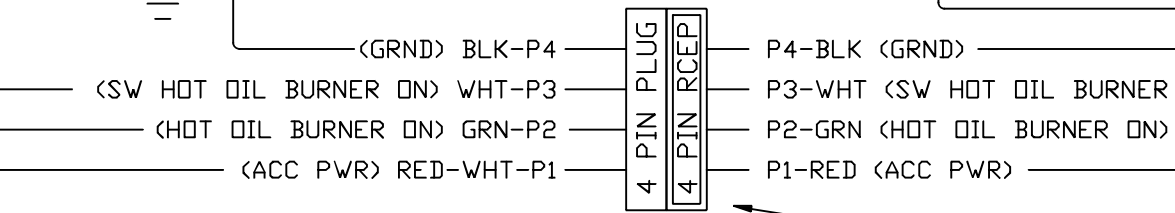
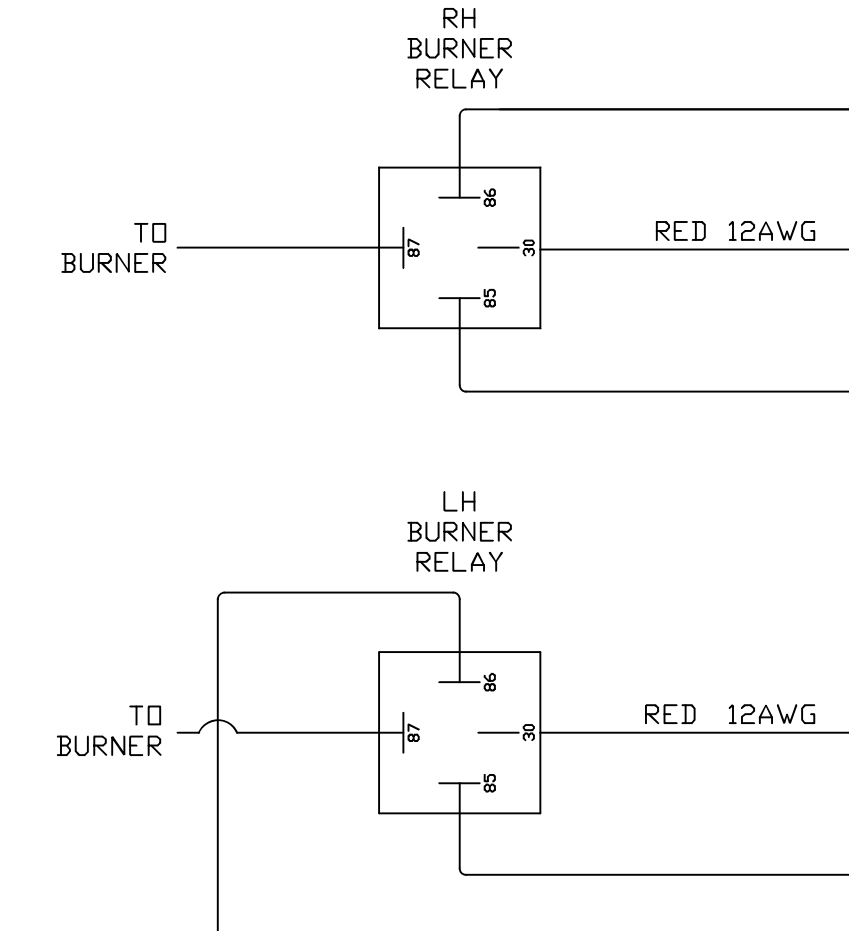
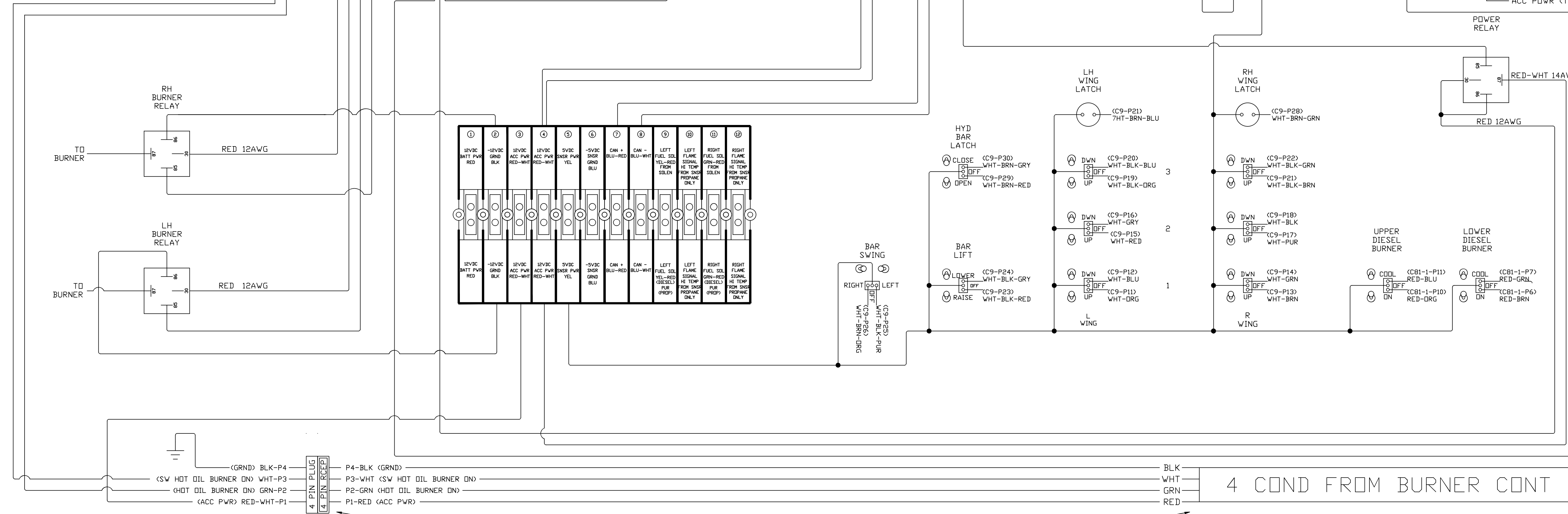
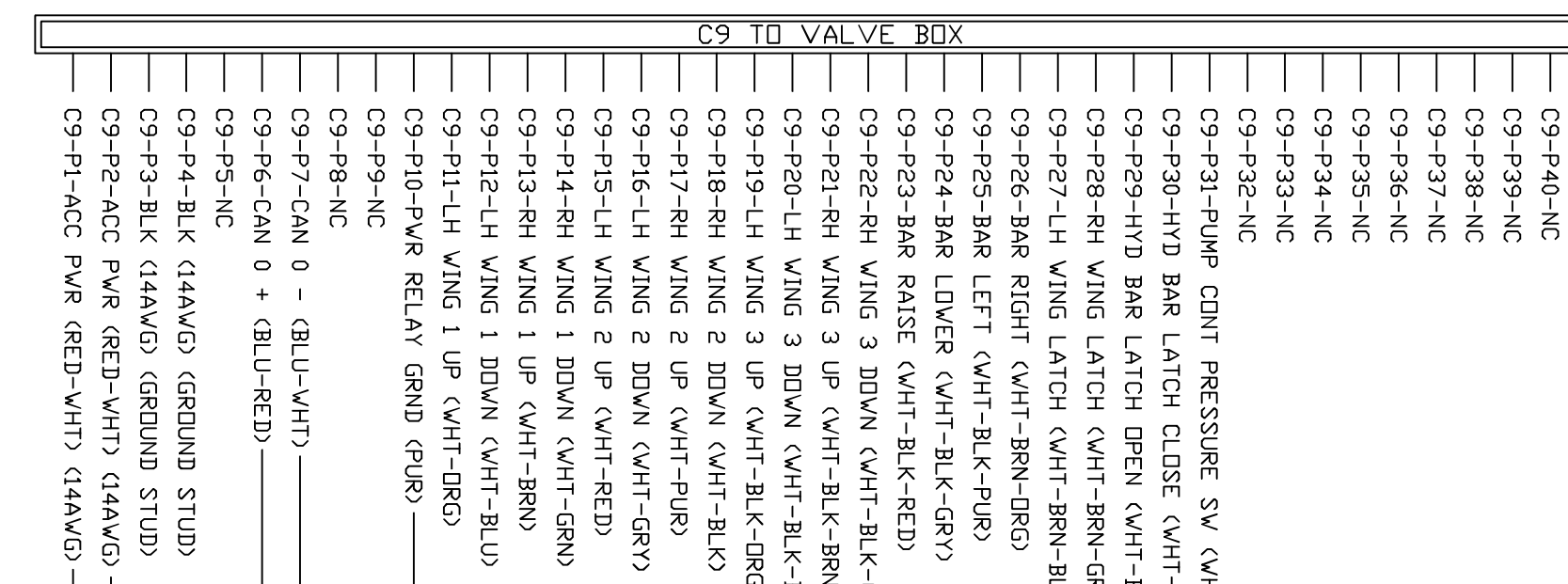
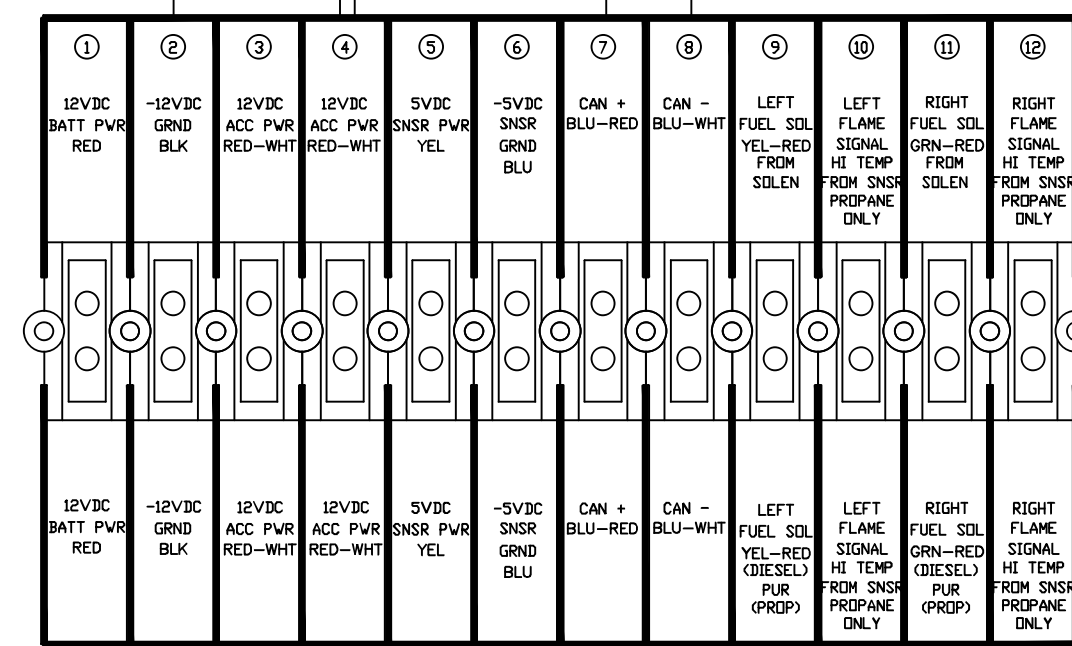
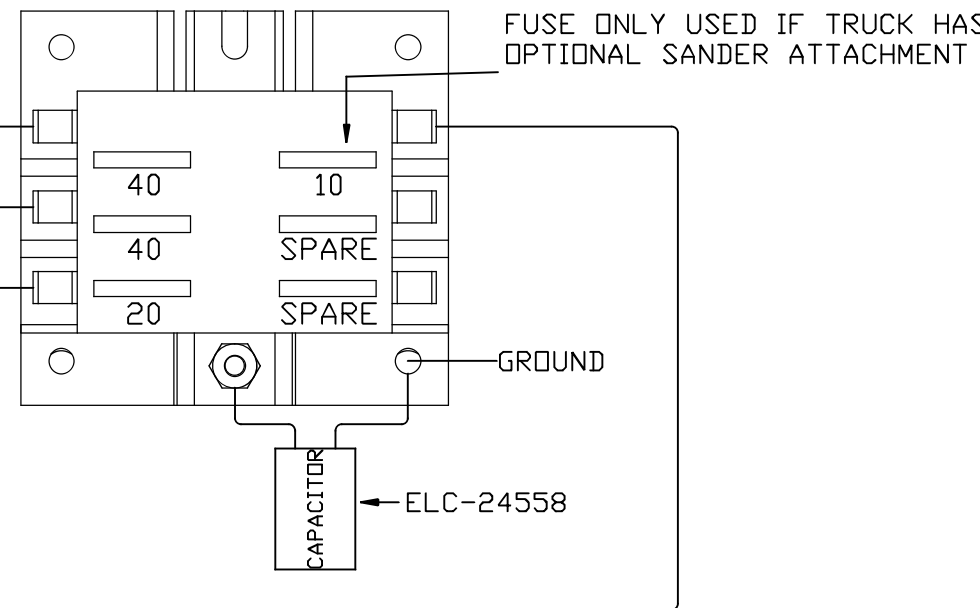
NODE 9  
BURNER CNTRL  
MC024-020



- C92  
1-NC  
2-NC  
3-LOWER BURNER RELAY (WHT-BLK)  
4-LOWER BURNER FUEL (GRN-RED) (TERM 11)  
5-UPPER BURNER RELAY (WHT-YEL)  
6-UPPER BURNER FUEL (YEL-RED) (TERM 9)  
7-HOT OIL BURNER (GRN)  
8-NC  
9-NC  
10-NC  
11-ACC PWR (RED-WHT) (TERM 3/4)  
12-ACC PWR (RED-WHT) (TERM 3/4)

- C91  
1-GRND (BLK) (TERM 2)  
2-ACC PWR (RED-WHT) (TERM 3/4)  
3-CAN + (BLU-RED) (TERM 7)  
4-CAN - (BLU-WHT) (TERM 8)  
5-NC  
6-SW LOWER BURNER ON (RED-BRN)  
7-SW LOWER BURNER COOL (RED-GRN)  
8-SNSR PWR (YEL) (TERM 5)  
9-SNSR GRND (BLU) (TERM 6)  
10-SW UPPER BURNER ON (RED-ORG)  
11-SW UPPER BURNER COOL (RED-BLU)  
12-SW HOT OIL BURNER (WHT)

6 GANG FUSE BLOCK



OPTIONAL HOT OIL BURNER

4 COND FROM BURNER CONT

QTY	NEXT ASS'Y	MADE BY	BEARCAT
?	---	APPROVED	
		MATERIAL	
		SEE PRINTED B.O.M.	
		FINISH	
		TITLE	502 REAR CONTROL BOX
		PART NO.	209037
STANDARD	.X .XX .XXX XXXX ANG. X/X	AUTHOR	RH
TOLERANCE	±.03 ±.015 ±.005 ±.0005 ±1.0° ± 1/32	SCALE	NONE
		DATE	8-22-13
		SHEET	?? OF ??

