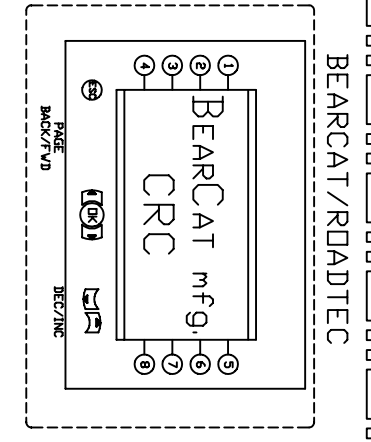
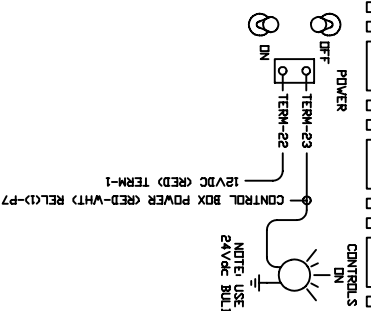
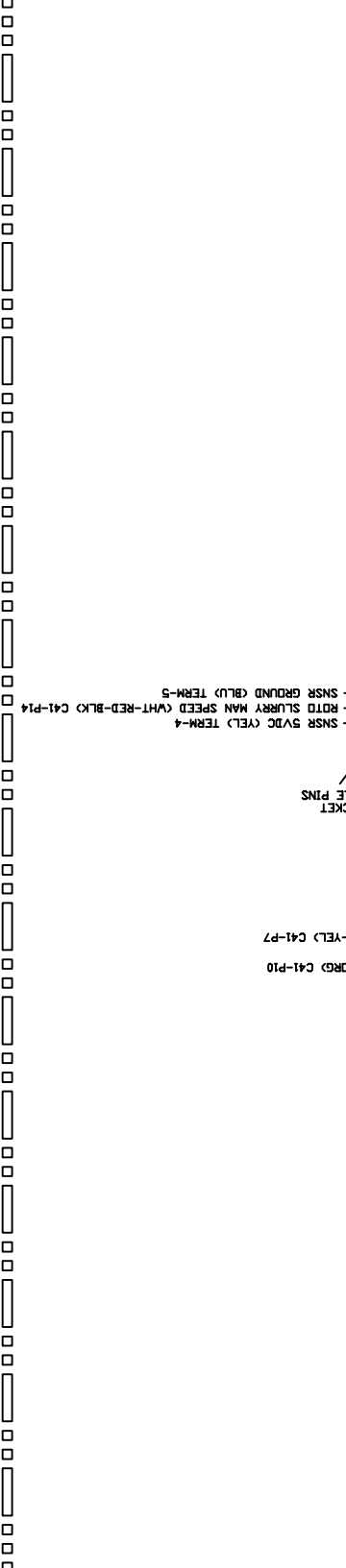
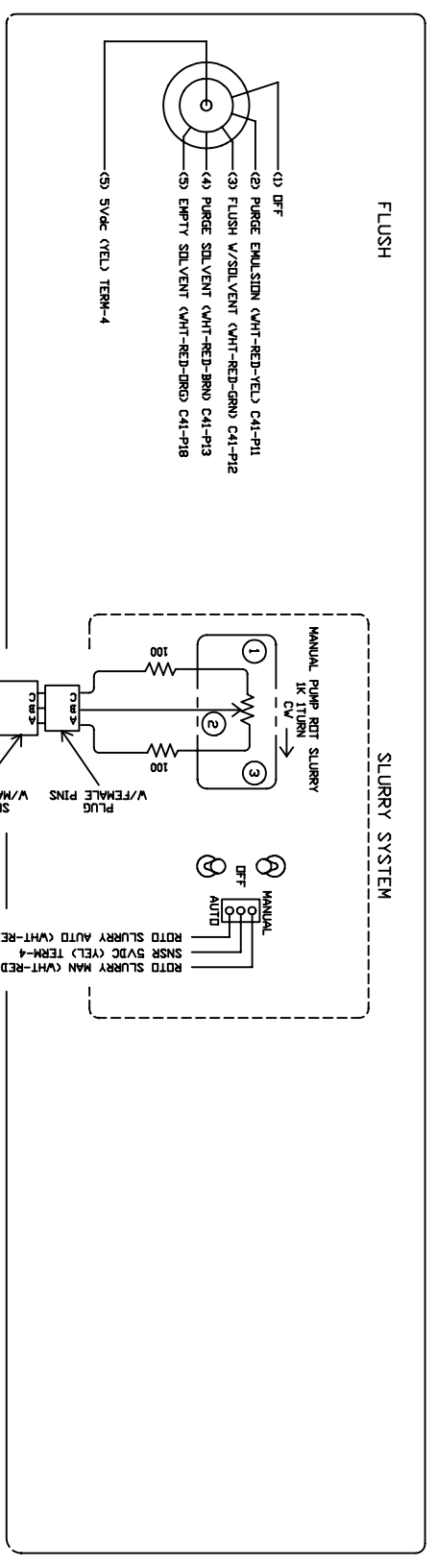
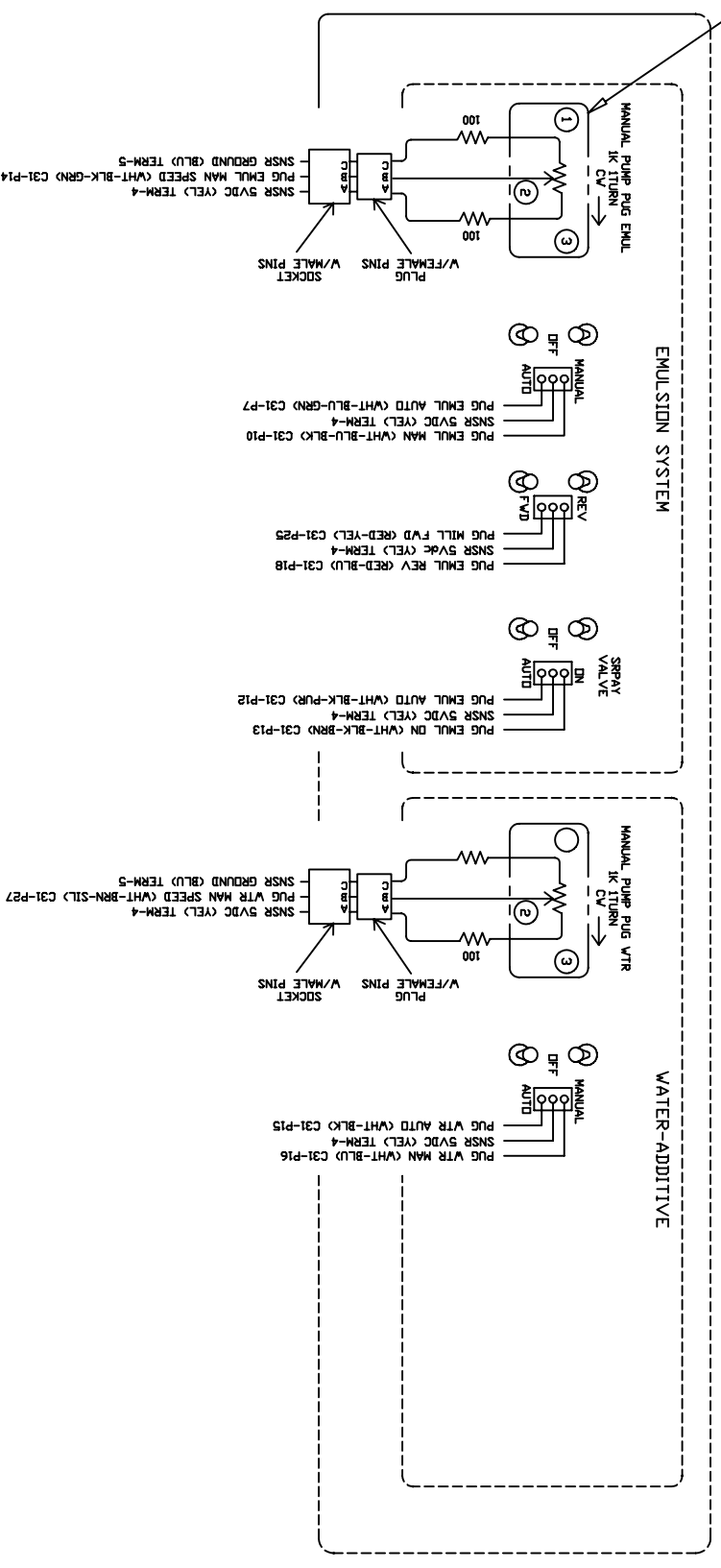
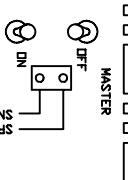


NOTE: MIN. 4' DF WIRE SPRINK TUBE OVER RES. AND TIE TO WIRE HARNESS



DISPLAY NODE8	CB1
CB1-P1	GROUND (BLU) TERM-2
CB1-P2	24VDC SUPPLY (RED-WHT) TERM-3
CB1-P3	N/C
CB1-P4	N/C
CB1-P5	N/C
CB1-P6	CAN (+) (BLU-RED) TERM-6
CB1-P7	CAN (-) (BLU-WHT) TERM-7
CB1-P8	N/C
CB1-P9	N/C
CB1-P10	N/C
CB1-P11	N/C
CB1-P12	N/C
DISPLAY NODE8	CB2
CB2-P1	N/C
CB2-P2	N/C
CB2-P3	N/C
CB2-P4	N/C
CB2-P5	N/C
CB2-P6	24VDC E-STOP SENSE (RED-YEL) TERM2



HINGE