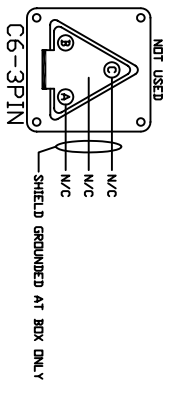
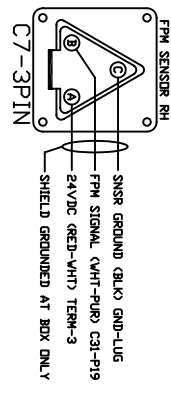
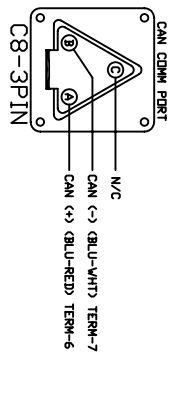
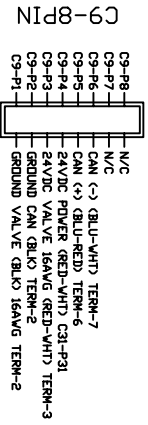
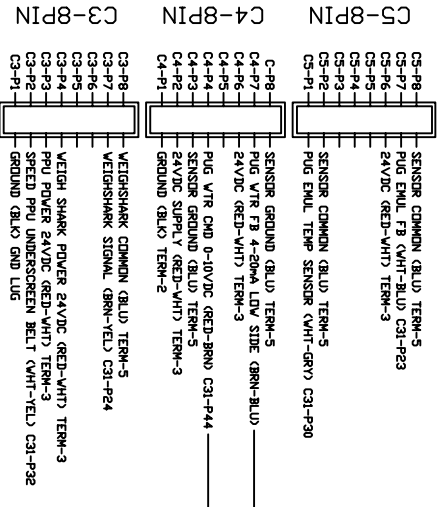


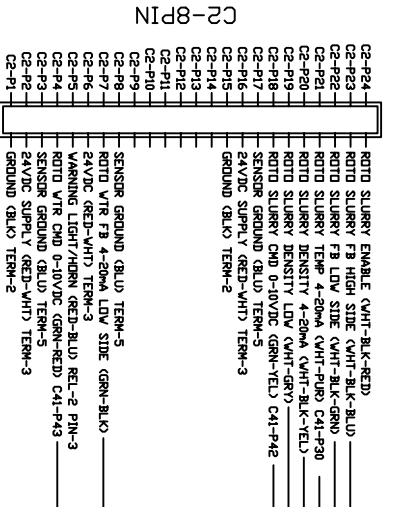
TO SPRAY-BAR VALVE BOX



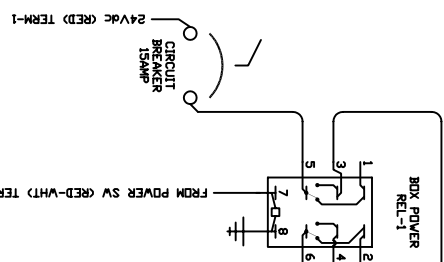
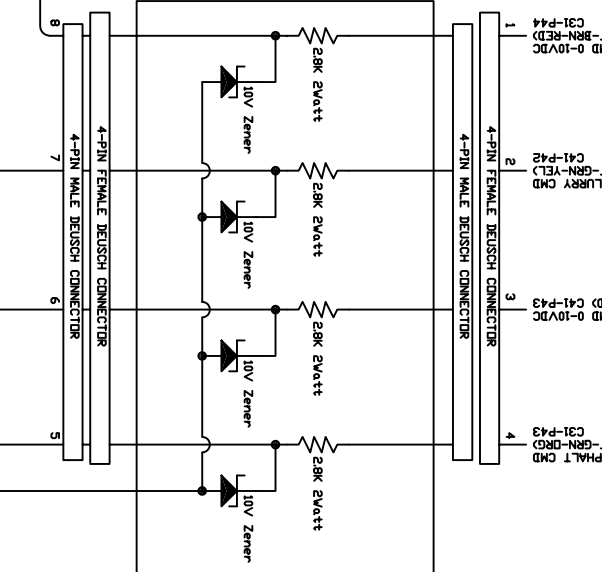
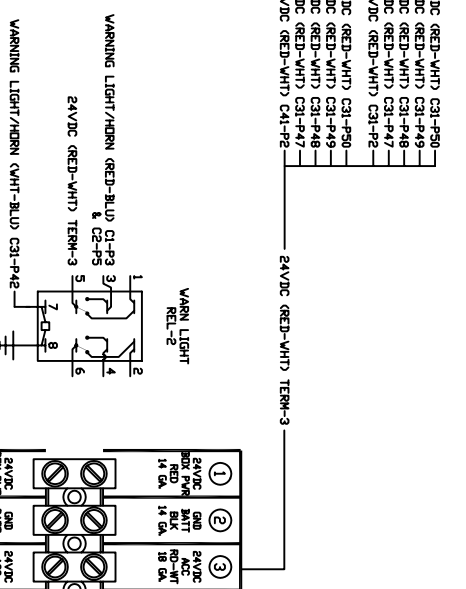
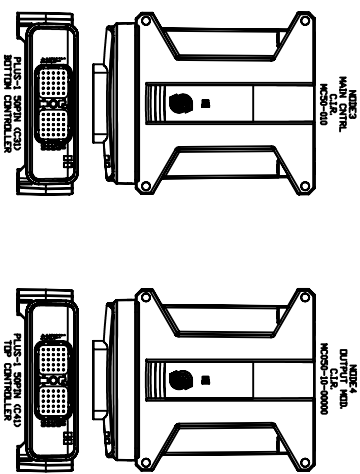
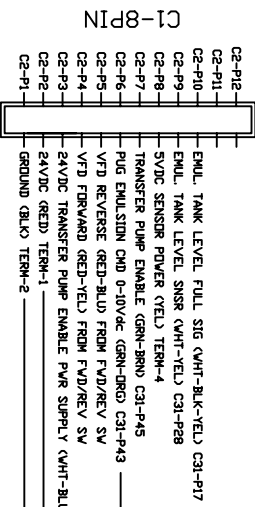
EMULSION TO CIR ADDITIVE WEIGHSHARK TO



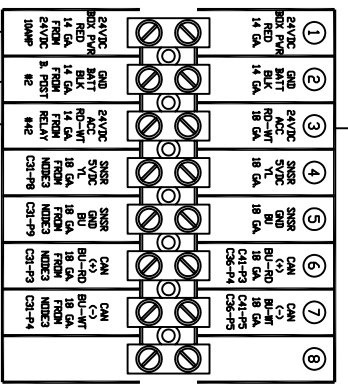
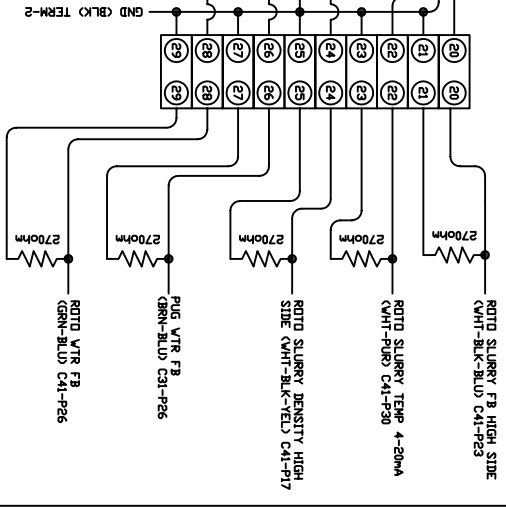
TO MILL



TO CIR ELC BOX



THESE RESISTORS ARE USED TO CHANGE THE 4-20MA / 1 TO 5VDC



TO GROUND LUG (-12V)

