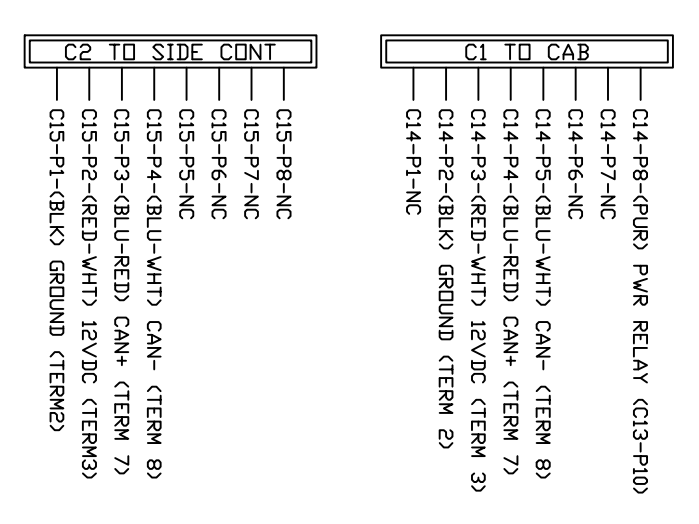
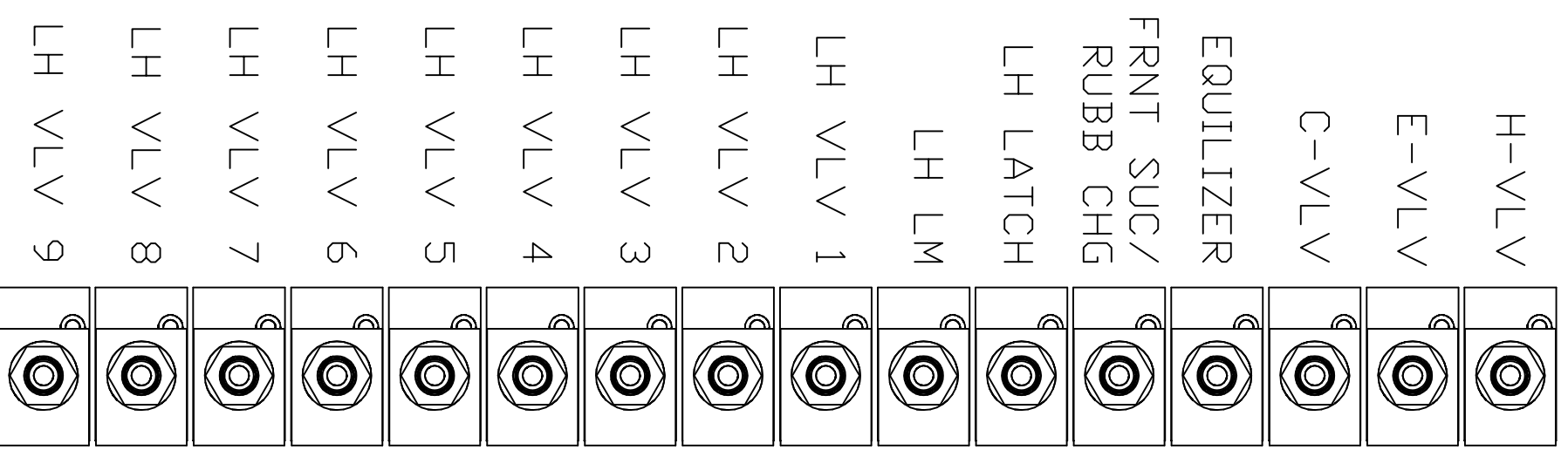
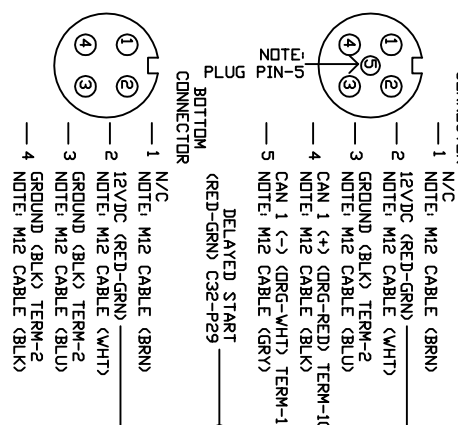
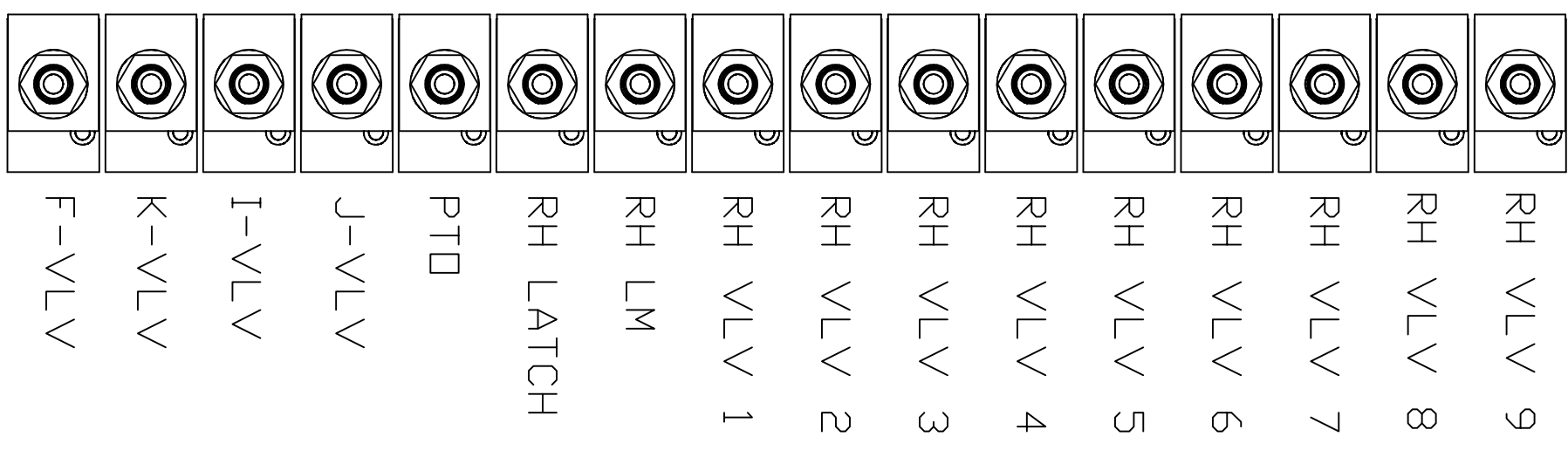
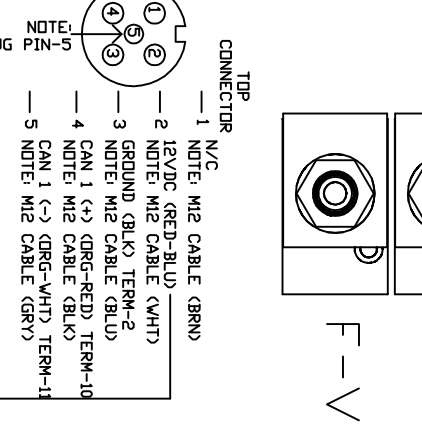
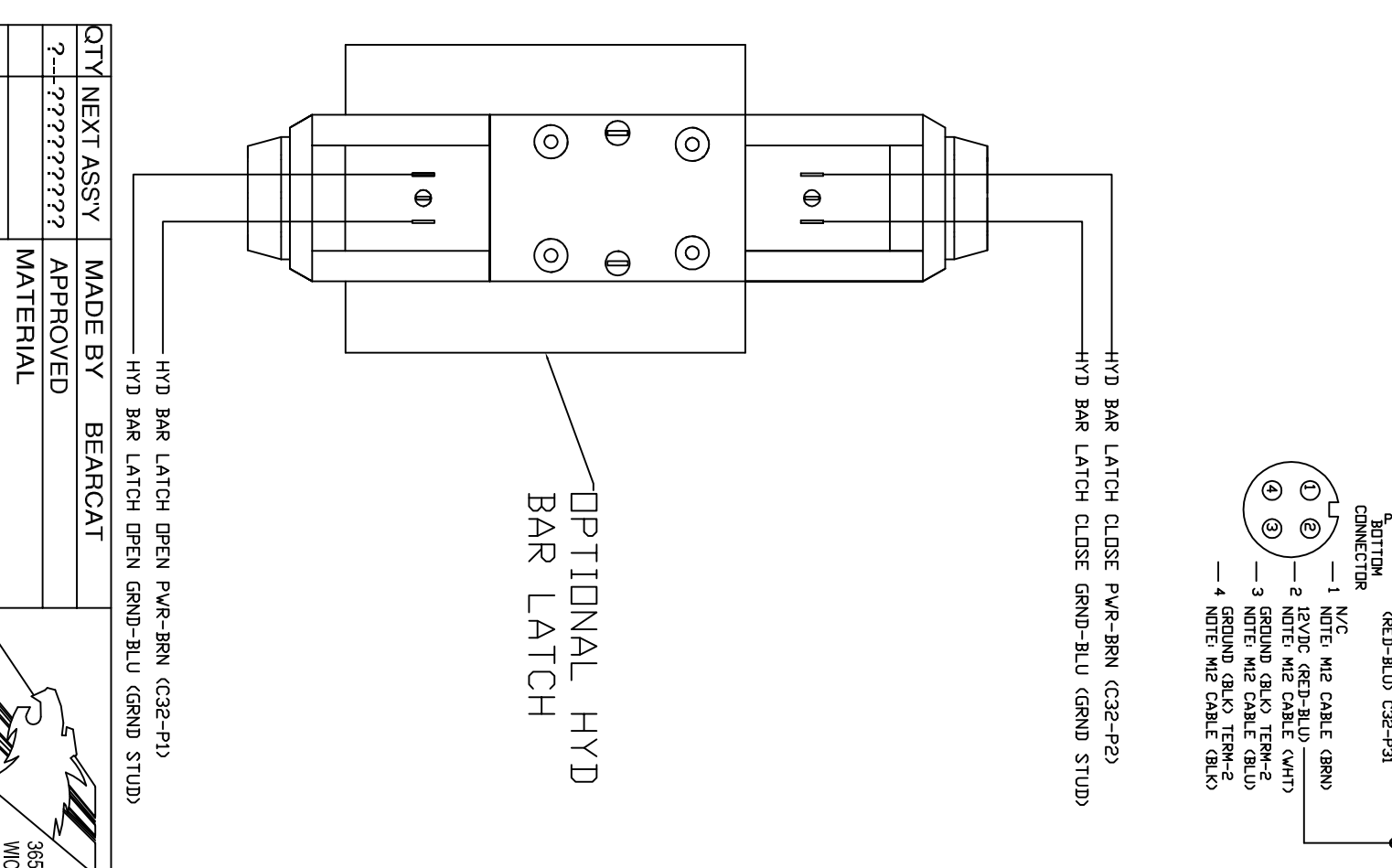
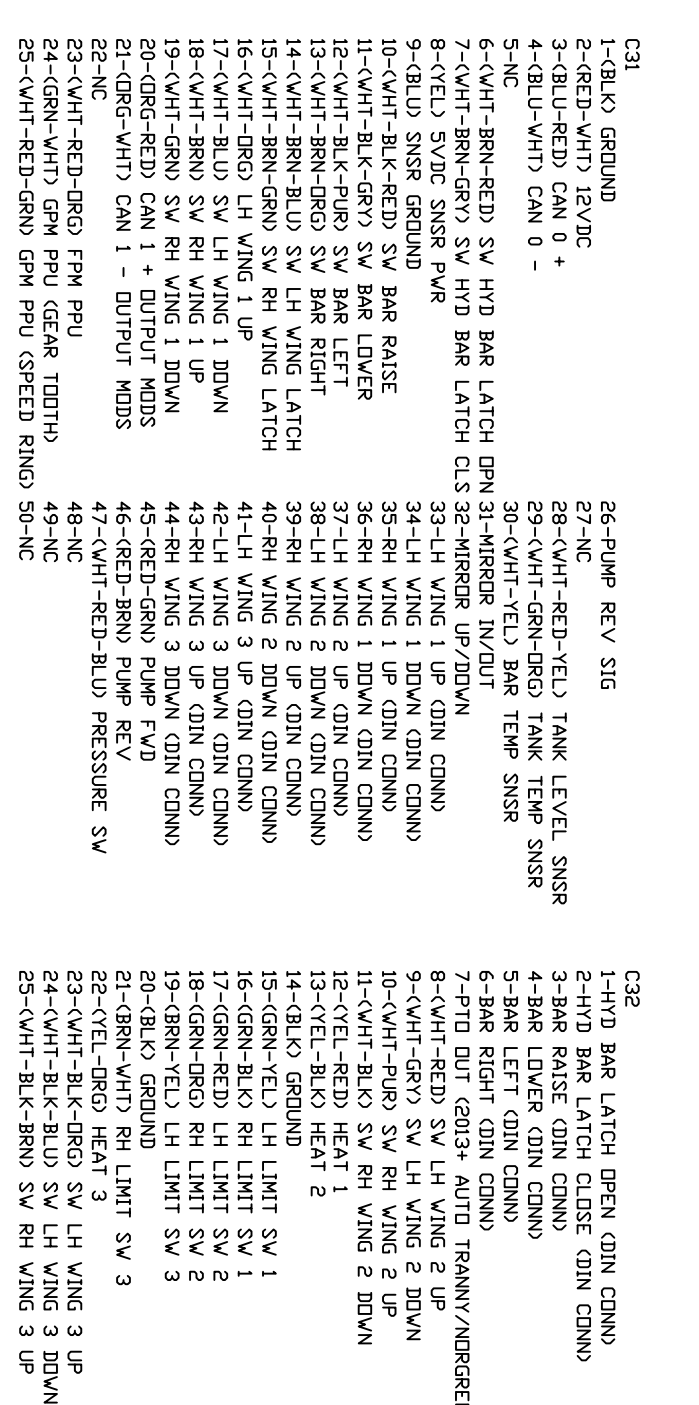
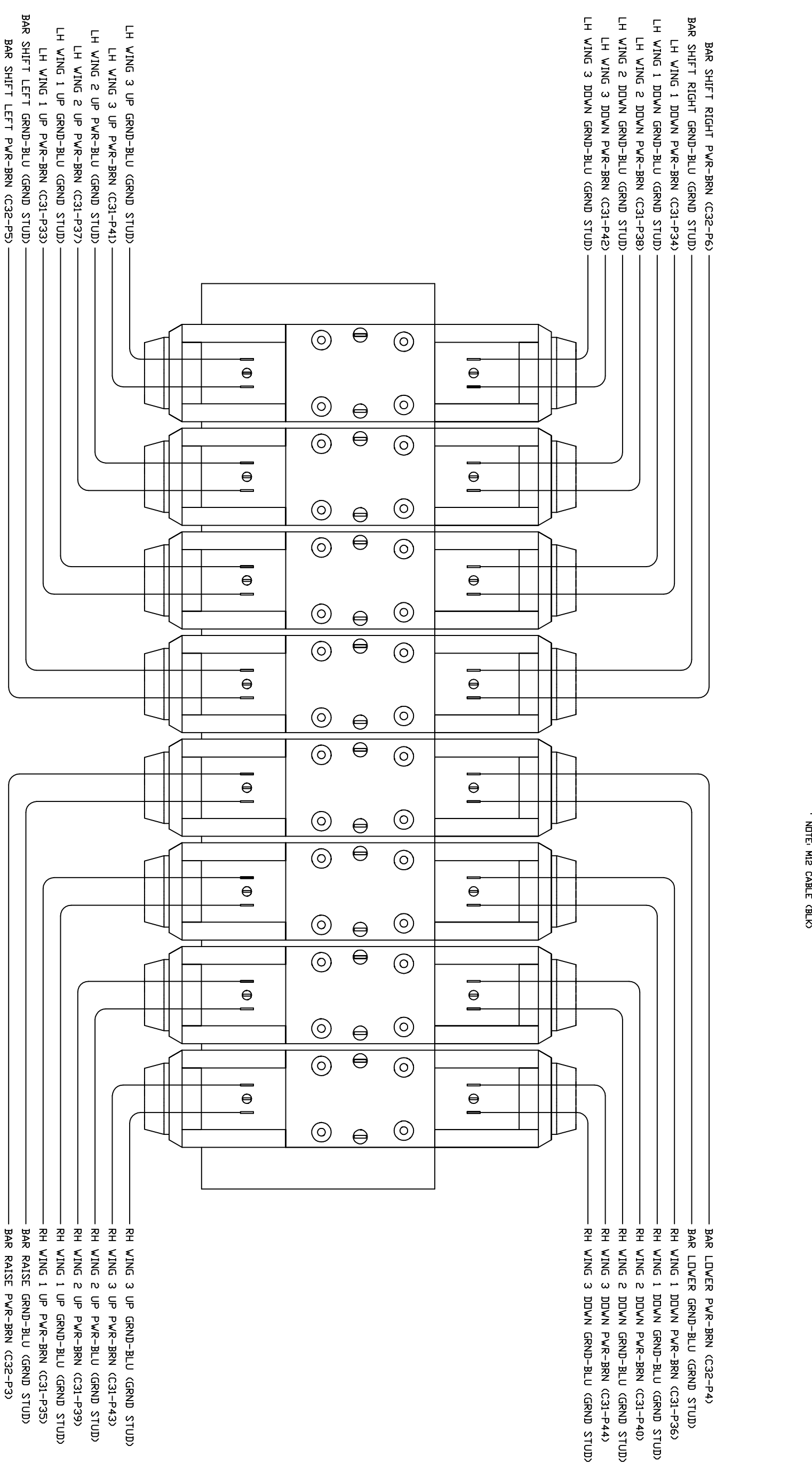
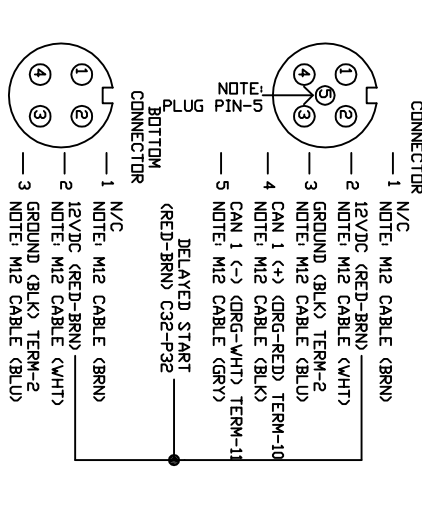
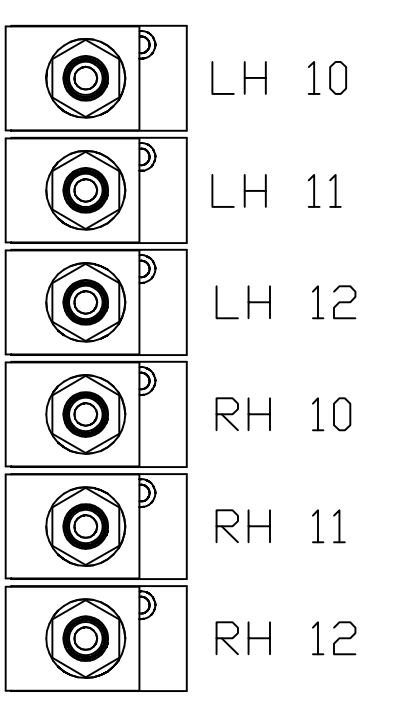
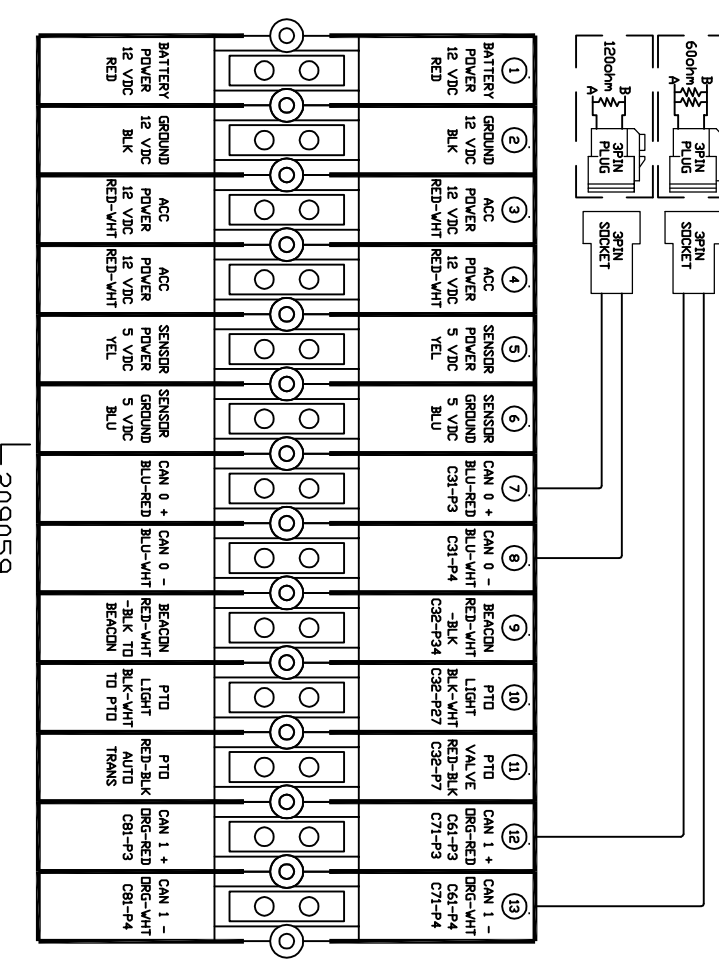
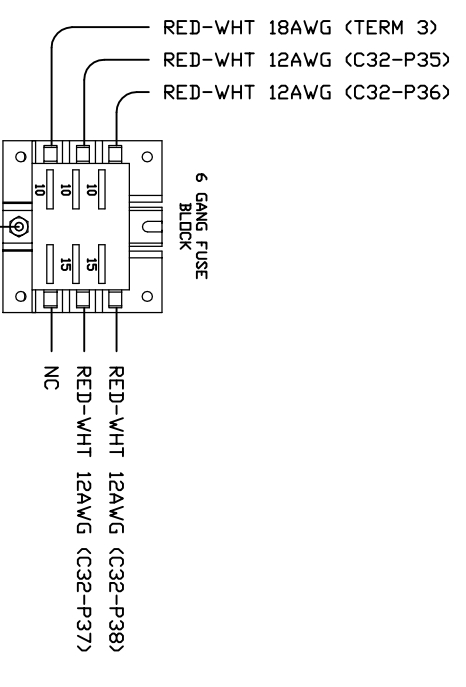
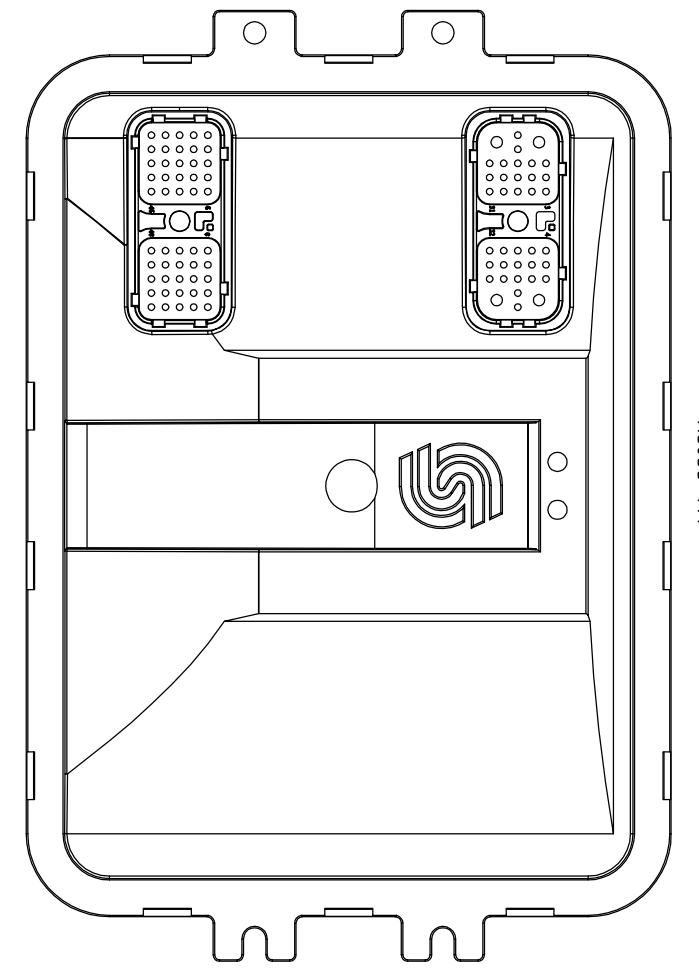


CONNECTOR



NOTE 3
M088-177



OPTIONAL HYD BAR LATCH

HYD BAR LATCH OPEN PWR-BRN (C32-P1)

HYD BAR LATCH OPEN GRND-BLU (GRND STUDI)

HYD BAR LATCH CLOSE PWR-BRN (C32-P2)

HYD BAR LATCH CLOSE GRND-BLU (GRND STUDI)

QTY	MEXI ASSY	MADE BY	BEARCAT
2	2727272727272	APPROVED	
SEE PRINTED B.O.M.			
MATERIAL			
FINISH			
PART NO.			
TITLE			
SHE 502 VALVE BOX			
NORGREEN VALVES			
PART NO.			
208727			
STANDARD	X	XX	XXX/XXX/ANG/XX
TOLERANCE	- .03	- 0.15	0.005 - 1.0" - 1.92
AUTHOR	RH	DATE	6-7-12
SCALE	NONE	SHEET	17 OF 22

