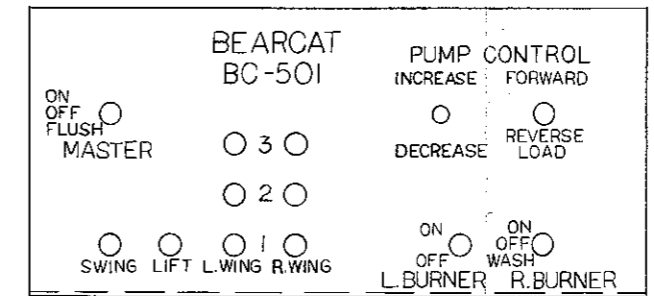
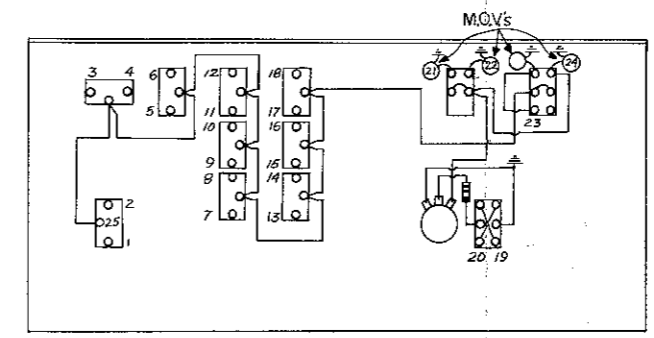


ATTENTION—WARNING!
 Any modifications (electrical or mechanical) done in, on, near or about this BearCat Control Panel will totally VOID any warranty!



TERM. NO.	WIRE COLOR
1	BU
2	RED-WT
3	WT-SL
4	WT-BK-YL
5	WT-BK-GN
6	WT-BU
7	WT-RD
8	WT-BK
9	WT-GN
10	WT-RD-BN
11	WT-BK-BN
12	WT-PU
13	WT-OR
14	WT-YL
15	WT-BK-OR
16	WT-BN
17	WT-BK-RD
18	WT-BK-BU
19	YL
20	PU
21	GRY
22	BRN
23	GN
24	OR
25	RD



NOTE:
 ALL AIR VALVES MUST BE GROUNDED WITH MOVs
 ALL HYDRAULIC VALVES MUST BE GROUNDED WITH MOVs

QTY	NEXT ASSY	DATE	2-1-90	REVD

DRAFTSMAN	BKM
APPROVED	
MATERIAL	
FINISH	

TITLE	VALVE BOX ASSEMBLY
PART NO.	VLV-24350
SCALE	NONE
SHEET	OF 1

(FIGURE 6.25) VALVE BOX CONFIGURATION